

ICY® Intravascular Heat Exchange Catheter Kit Instructions for Use IC-3893AE/8700-0782-40 & IC-3893CO/8700-0782-14

Mode d'emploi du cathéter d'échange thermique intravasculaire ICY® IC-3893AE/8700-0782-40 et IC-3893CO/8700-0782-14

ICY® intravaskuläres Wärmeaustauschkatheter-Kit – Gebrauchsanweisung IC-3893AE/8700-0782-40 & IC-3893CO/8700-0782-14

Instrucciones de uso del kit de catéter intravascular de intercambio térmico ICY® IC-3893AE/8700-0782-40 e IC-3893CO/8700-0782-14

Instruções de uso do kit de cateter intravascular trocador de calor ICY® IC-3893AE/8700-0782-40 e IC-3893CO/8700-0782-14

Instruções de utilização do kit de cateter de permuta de calor intravascular ICY® IC-3893AE/8700-0782-40 e IC-3893CO/8700-0782-14

Istruzioni per l'uso del kit del catetere intravascolare per scambio termico ICY® IC-3893AE/8700-0782-40 e IC-3893CO/8700-0782-14

Gebruiksaanwijzing voor ICY® intravasculaire warmtewisselingskatheterkit IC-3893AE/8700-0782-40 en IC-3893CO/8700-0782-14

Zestaw cewnika wewnątrznaczyniowego z wymiennikiem ciepła ICY® — Instrukcja użycia IC-3893AE/8700-0782-40 i IC-3893CO/8700-0782-14

Návod k použití soupravy katétru pro intravaskulární výměnu tepla ICY® IC-3893AE/8700-0782-40 a IC-3893CO/8700-0782-14

Upute za upotrebu ICY® Kompleta intravaskularnog katetera za izmjenu topline IC-3893AE/8700-0782-40 i IC-3893CO/8700-0782-14

ICY® intravaskuláris hőcserélőkathéter-készlet használati utasítás IC-3893AE/8700-0782-40 és IC-3893CO/8700-0782-14

Руководство по эксплуатации набора внутрисосудистого теплообменного катетера ICY® моделей IC-3893AE/8700-0782-40 и IC-3893CO/8700-0782-14

Bruksanvisning till ICY® intravaskulär värmeväxlande kateter, sats IC-3893AE/8700-0782-40 och IC-3893CO/8700-0782-14

Suonensisäisen ICY®-lämmönvaihtokatetrin välinesarja, käyttöohjeet IC-3893AE/8700-0782-40 & IC-3893CO/8700-0782-14

Brugsanvisning til sæt med ICY® intravaskulært varmeudvekslingskateter IC-3893AE/8700-0782-40 og IC-3893CO/8700-0782-14

Intravaskulinio šilumą perduodančio kateterio ICY® rinkinio naudojimo instrukcijos IC-3893AE/8700-0782-40 ir IC-3893CO/8700-0782-14

ICY® intravaskulārā siltumapmaiņas katetra komplekts izmantošanai ar IC-3893AE/8700-0782-40 un IC-3893CO/8700-0782-14

Οδηγίες χρήσης kit ενδοαγγειακού καθετήρα ανταλλαγής θερμότητας ICY® IC-3893AE/8700-0782-40 & IC-3893CO/8700-0782-14

ICY® 血管内热交换导管套件使用说明 IC-3893AE/8700-0782-40 和 IC-3893CO/8700-0782-14

Bruksanvisning for ICY® katetersett for intravaskulær varmeveksling IC-3893AE/8700-0782-40 og IC-3893CO/8700-0782-14

ICY® 血管内热交换导管套件使用说明 IC-3893AE/8700-0782-40 和 IC-3893CO/8700-0782-14

ICY® 혈관내 열 교환 카테터 키트 사용설명서 IC-3893AE/8700-0782-40 및 IC-3893CO/8700-0782-14

Instruksi Penggunaan Kit Kateter Pertukaran Panas Intravaskular ICY® IC-3893AE/8700-0782-40 & IC-3893CO/8700-0782-14

Intravaskulaarse soojusvahetuskaateetri komplekti ICY® kasutusjuhised IC-3893AE/8700-0782-40 & IC-3893CO/8700-0782-14



ZOLL Circulation, Inc.
2000 Ringwood Avenue
San Jose CA 95131 USA
+1.408.541.2140 (main)
+1.408.541.1030 (fax)
Patent: www.zoll.com/patents



ZOLL Medical Switzerland A.G.
Baarerstrasse 8
6300, Zug Switzerland

106925-001 Rev 2



EMERGO EUROPE
Westervoortsedijk 60
6827 AT Arnhem
The Netherlands



ZOLL International Holding B.V.
Einsteinweg 8A
6662 PW ELST
The Netherlands

English (en)	3
Français (fr)	9
Deutsch (de)	15
Español (es)	21
Português (ptbr)	27
Português (pt)	33
Italiano (it)	39
Nederlands (nl)	45
Polski (pl)	51
Čeština (cs)	57
Hrvatski (hr)	62
Magyar (hu)	67
Русский (ru)	73
Svenska (sv)	79
Suomi (fi)	84
Dansk (da)	89
Lietuviškai (lt)	94
Latviski (lv)	99
Ελληνικά (el)	105
简体中文 (cn)	111
Norsk (no)	117
繁體中文 (tch)	123
한국어 (ko)	128
Bahasa Indonesia (id)	133
Eesti (et)	139

English (en)

Model IC-3893AE/8700-0782-40 & IC-3893CO/8700-0782-14

Icy® Intravascular Heat Exchange Catheter Kit includes:

Quantity	Description
1 AE(CO)	Icy intravascular heat exchange catheter 9.3 French x 38 cm Triple infusion Luer Extension line clamps Radiopaque shaft Applause heparin coated
1 AE(CO)	Guidewire 0.032" (0.81 mm) x 75 cm
1 AE(CO)	Vessel dilator 10.5 F x 0.038" (3.6 mm x 1.0 mm)
1 AE(CO)	Detachable suture tab & clip
1 AE	18 ga x 2½" (1.3 mm x 63 mm) Radiopaque OTN catheter
1 AE	5 cc Syringe & 22 ga x 1½" (0.7 mm x 38 mm) Needle
1 AE	Fenestrated drape
1 AE	18 ga x 2¾" (1.3 mm x 70 mm) Needle
6 AE	4" x 4" (10 cm x 10 cm) Gauze sponges
1 AE	000 Silk suture
1 AE	No. 11 Surgical blade with long handle

Note - Kit components by model

Each base model is available either with a standard supporting insertion kit (AE) or without the standard supporting insertion kit (CO). The components common to both kits are labeled AE(CO) in the table above. The additional components found only in the standard kit are labeled AE.

Device description

The Icy intravascular heat exchange catheter ("Icy catheter" or "catheter") is a sterile, single use, flexible 9.3 F catheter designed for placement in the inferior vena cava from an insertion site in the femoral vein. The Icy catheter is to be connected to a single use disposable ZOLL® Start-Up Kit and the Coolgard® or Thermogard® family of consoles ("console") (all supplied separately). A dilator and guidewire are required for the percutaneous insertion of the Icy catheter. Three Luers are available for infusion and sampling.

Infusion port	Flow rate	Priming volume
Distal (brown)	1700 ml/hr	0.5 cc
Medial (white)	900 ml/hr	0.4 cc
Proximal (blue)	1200 ml/hr	0.4 cc

The catheter blood contact surfaces (tip, balloon, and shaft) are treated with an anti-thrombotic Applause heparin coating.

Sterility

Ethylene oxide sterilized. The catheter is supplied sterile for single use only and should not be resterilized. The package should be inspected prior to use to ensure that the sterility barrier has not been compromised.

Storage

Store in a cool, dry place. Avoid freezing and excessive heat.

Intended use

The Icy catheter in combination with the Coolgard or Thermogard System permits circulation of temperature controlled saline through a heat exchanger to cool / rewarm the patient's blood in patients for whom the risks of a central line are warranted. Maximum use period: 4 days.

Contraindications

1. The risks of the catheter are essentially those of a central line. The catheter should not be used in patients for whom central line placement is not indicated.
2. Bleeding diathesis.
3. Active sepsis.
4. Infection or active bleeding at the site of catheter insertion.
5. Patients with no vascular access, or a vascular system that will not accommodate a catheter, including patients with vena cava filters or other implanted impediments to passage of the catheter.
6. Patients for whom the required temperature monitoring cannot be established.
7. Hypothermia is contraindicated in patients who have hematological diseases that will be made worse with hypothermia (e.g., any disease that produces cryoglobulinemia, any hemoglobinopathy in which hemolytic anemia can be precipitated by cold including Sickle Cell Disease or Thalassemia).
8. Not intended for pediatric or neonatal use.

Warnings, precautions, adverse reactions

Central venous catheterization should only be performed by well-trained personnel well-versed in anatomical landmarks and safe technique. Personnel should also have knowledge of potential complications.

WARNING

The catheter should be placed via a femoral vein approach only. Do not allow the catheter to be placed into the right atrium or right ventricle. Placement in the right atrium or right ventricle can result in severe patient injury or death.

Single use only. The product is designed for single use only. Do not resterilize or reuse. Do not reinsert, once removed from the patient. Do not alter the catheter in any way.

Potential risks with reuse of a single use device include but are not limited to:

- Potentially life threatening infection
- Toxic shock due to degradation of materials
- Increased risk of thrombosis
- Reduced heat exchange power
- Device failures

WARNING. The Icy catheter and Start-Up Kit could potentially misconnect with other devices with small bore connectors. Such connection errors could result in patient injury or death.

Caution. The custom Luers contained on the catheter and Start-Up Kit may reduce the risk of misconnections but still have the potential for misconnections with these specific medical device applications: Breathing Systems & Driving Gases applications, Enteral & Gastric applications, Urethral & Urinary applications, Limb Cuff Inflation applications, Neuraxial applications, and Intravascular or Hypodermic applications. Always use caution when connecting ZOLL catheters and Start-Up Kits to these and other medical device applications.

Caution. Ensure that the Icy catheter and/or Start-Up Kit are not connected to an IV or other medical devices.

1. The catheter should be positioned so that the distal tip of the catheter is in the inferior vena cava below its junction with the

right atrium and parallel to the vessel wall. X-ray examination should be used to ensure that the catheter is not in the right atrium or ventricle.

2. **Caution.** If blood is observed within the saline circuit, stop the procedure and perform the check for a catheter leak.
3. Possible complications with central venous catheters include: atrial or ventricular perforation, cardiac tamponade, air embolism, catheter embolism, thoracic duct laceration, bacteremia, septicemia, thrombosis, inadvertent arterial puncture, hematoma formation, hemorrhage, nerve damage and dysrhythmias.
4. All Luer-Lock connections and covers must be securely tightened to prevent air embolism or fluid or blood loss.
5. Never use excessive force in moving the catheter or guidewire. If resistance is encountered, an x-ray should be performed to identify the reason for the resistance.
6. Passage of the guidewire into the right heart can cause dysrhythmias, right bundle branch block, vessel wall, atrial or ventricular perforation.
7. Use only sterile normal saline for catheter priming. It is the circulating fluid in the catheter.
8. The catheter should be routinely inspected for flow rate, security of dressing, correct catheter position, and for secure Luer-Lock connections. Use the centimeter markings to identify if the catheter position has changed. A potential risk associated with multi-lumen balloon catheters is a lack of therapy, including failure to infuse drug therapy through the infusion lumens.
9. Only x-ray examination can ensure that the catheter tip has not entered the heart or no longer lies parallel to the vessel wall. If the catheter position has changed, perform an x-ray examination to confirm the catheter tip position.
10. For blood sampling, temporarily shut off the remaining infusion ports through which solutions are being infused.
11. Use only a 30 cc or smaller syringe for blood sampling.
12. Alcohol and acetone can weaken the structure of the shaft material. Care should therefore be taken when infusing drugs containing alcohol or when using alcohol or acetone when performing routine catheter care and maintenance. Alcohol should not be used to declot the catheter.
13. Use only the ZOLL suture tab and clip provided in the kit to prevent catheter damage.
14. Use of a syringe smaller than 10 ml to irrigate or declot an occluded catheter may cause intraluminal leakage or catheter rupture.
15. Do not infuse into the orange IN and OUT Luer-Lock connections, as this will result in lack of therapy.
16. Fever may have infectious and/or non-infectious causes in patients. Mitigation of fever as a sign of possible infection necessitates daily, meticulous assessment for other signs of infection.
17. Use care when infusing drugs that may be affected by cool temperatures (as low as 4°C). Solutions containing mannitol are temperature-sensitive and must not be delivered through the catheter except for a rapid push of a solution of up to 20% mannitol, followed by a saline flush. Higher than a 20% concentration of mannitol drip or infusion pump delivery of mannitol must be done via a separate line.
18. Cardiac Tamponade: Placement of indwelling catheters in the right atrium is a practice that may lead to cardiac perforation and tamponade. Practitioners placing central venous catheters must be aware of this potentially fatal complication before advancing the catheter too far relative to patient size. The actual position of the tip of the indwelling catheter should be confirmed by x-ray after insertion. Central venous catheters should not be placed in the right atrium unless specifically required for special relatively short term procedures, such as aspiration of air emboli during neurosurgery. Such procedures are nevertheless risk-prone and should be closely monitored and controlled.
19. The catheter is coated with heparin. This may induce or aggravate pre-existing heparin-induced thrombocytopenia (HIT).

20. **WARNING.** When connecting infusion sets/injection systems to the catheter, do not exceed 100 psi/689 kPa.
21. For patients being made hypothermic, the hypothermia itself may exacerbate some disease states. Care should be taken to properly monitor patient homeostasis during hypothermia.
 - Cardiac rhythm disturbances—both bradycardia and ventricular tachyarrhythmia.
 - Clotting and coagulations function. Patients at risk for disturbances of their clotting or coagulation function should be closely monitored during hypothermia.
 - Blood gas and pH analysis. Hypothermia modifies resting pH and PaCO₂. Physicians should be aware of the effect of temperature upon the result.
 - Prolonged hypothermia depresses the immune response and lung function.

WARNING. Intraluminal or balloon leakage. Intraluminal leakage (between the saline lumen and infusion lumens) or balloon leakage is a potential catheter failure mode. In the event of such a failure, sterile saline from the cooling circuit is introduced into the patient. Intraluminal leakage or balloon leakage is typically associated with a fluid loss alarm once the saline bag has been depleted and stops the system.

Always investigate fluid level alarms. The cooling circuit is a closed loop system – usually fluid loss alarms indicate a breach somewhere in this closed loop. With any fluid loss alarm, check both the integrity of the catheter and the Start-Up Kit (see below).

WARNING. If you notice a depleted saline bag or an air trap alarm, do not replace the saline bag prior to identifying the location of the leak and taking the appropriate mitigation. Check for system leaks according to the instructions in the Check for a Start-Up Kit leak and Check for a catheter leak sections below. (Note that a leak could be external or internal.)

Replacing the saline bag repeatedly without investigating the leak or loss of saline may result in unintended infusion of saline into the patient. Saline infusion may lead to the following adverse effects: local swelling that can cause subsequent local tissue damage; systemic fluid overload that can lead to dependent edema and subsequent skin breakdown; internal organ fluid overload, with subsequent overloading of the brain, lungs or heart. In some cases, this fluid overload may lead to life threatening events.

Caution. The console emits an alarm when the saline bag is empty. The bag must be completely empty and additional saline must have drained between the saline spike and the air trap for the saline level in the air trap to drop sufficiently to trigger the alarm.

Check for a Start-Up Kit leak

1. Check the air trap for condensation. If the air trap shows signs of condensation, wipe the air trap and reinstall it in the console. In the case of an air trap alarm, verify that the air trap alarm is cleared after this step.
2. Carefully check the saline path from the saline bag to the console for any leaks. Check if there is saline on the floor, console, or the patient's bed.
3. If there is any saline on the floor, console, or the patient's bed, check that the Luers on the catheter and Start-Up Kit are not cracked or damaged and that the connections are tight enough to prevent leaks.
4. If you find a leak in the Start-Up Kit, replace the Start-Up Kit and see if there is also a leak in the catheter.
5. If you do not find a leak in the Start-Up Kit, there is likely a leak in the catheter. Investigate further.

Check for a catheter leak

1. Disconnect the Start-Up Kit from the catheter. Properly cap both the catheter and Start-Up Kit using an aseptic technique.

2. Fill a sterile 10 mL slip tip syringe with sterile saline.
3. Connect the syringe to the IN Luer of the catheter and disconnect the OUT cap. Infuse 10 mL of saline – the saline should flow out the OUT Luer. If the saline does not flow out of the OUT Luer, a catheter leak is indicated.
4. Cap the OUT Luer and pull 5 cc of vacuum. Sustain for at least 10 seconds. Up to 4 mL of saline (not blood) should enter the syringe and you should be able to maintain the vacuum. If traces of blood are seen in the syringe or vacuum cannot be maintained, it indicates a catheter leak.
5. If you find a leak in the catheter, replace the catheter.
6. Replace the saline bag and re-prime the Start-Up Kit.
7. Ensure leak-tight Luer connections to the Start-Up Kit and continue the therapy.

Materials required

Quantity	Description
1	Icy Catheter Kit for percutaneous introduction
1	500 cc bag of sterile normal saline (not provided)
	Start-Up Kit (provided separately)
1	<ul style="list-style-type: none"> • 6 ft (183 cm) standard tubing or • 9 ft (274 cm) extended tubing
1	Coolgard or Thermogard console (provided separately)
1	Catheter Convenience Kit [For (CO) only]
1	YSI-400 temperature probe (not provided)

Catheter preparation and insertion

Note. The catheter has a radiopaque marker band to assist in identification of the catheter during and after insertion when viewed using x-ray equipment. The proximal end of the proximal balloon has one marker band. The tip of the catheter contains barium sulfate to make it radiopaque.

Use sterile technique.

Caution. The IN and OUT Luer-Locks on this catheter are custom-manufactured and are intended to connect only with the Start Up Kit listed in Materials required.

Preparing the catheter

1. Place the patient in a supine position.
2. Prep and drape the puncture site as required.
3. Carefully remove the catheter from the package, leaving on the catheter membrane cover.
4. Remove the caps from the IN and OUT Luers. With the catheter cover in place, fill the syringe (5 cc or larger) with sterile saline and attach the syringe to the female IN Luer.

WARNING. Never inject positive pressure into the IN Luer with the OUT Luer cap in place.

5. Gently inject saline through the catheter until it begins to exit from the OUT Luer.
6. Using a 5 cc or larger syringe, flush the distal, proximal, and medial infusion Luers with sterile saline. Clamp or attach the injection caps to the proximal and medial infusion Luers. Leave the distal Luer uncapped for guidewire passage.

Caution. Always prime the catheter infusion Luers before inserting the catheter into the patient.

7. Remove the catheter membrane cover. If there is resistance in removing the membrane cover from the catheter, flush the membrane cover with sterile saline. Inspect the catheter to ensure

that air has been purged from the heat exchange membrane. Inspect the catheter for leaks.

Caution. Avoid excessive wiping of the coated catheter. Avoid wiping the catheter with dry gauze, as this may damage the catheter coating. Avoid using alcohol, antiseptic solutions, or other solvents to pre-treat the catheter, because this may cause unpredictable changes in the coating, which could affect the device safety and performance.

WARNING. Do not cut the catheter to alter length.

Inserting the catheter

WARNING. Use femoral vein approach only.

1. Obtain femoral venous access using standard percutaneous techniques. Access should be maintained with a 0.032" (0.81 mm) guidewire. See Guidewire Instructions for Use.

WARNING. Do not attempt to reinsert a partially or completely withdrawn OTN (over the needle) introducer needle from its catheter.

Caution. Do not use a guidewire larger than 0.032" (0.81 mm) with the catheter.

2. Holding the guidewire in place, remove the introducer catheter.

Caution. Maintain a firm grip on the guidewire at all times.
3. Enlarge the cutaneous puncture site with the cutting edge of the scalpel positioned away from the guidewire.

WARNING. Do not cut the guidewire. Use a vessel dilator to enlarge the site as required. Do not leave the vessel dilator in place as an indwelling catheter, to minimize the risk of a possible vessel wall perforation.

4. Thread the tip of the catheter over the guidewire. Maintain a sufficiently firm grip on the guidewire during catheter insertion. Grasping the catheter tip near the skin, advance the catheter into the vein. Continue to advance the catheter over the guidewire, placing your fingers just proximal to the balloon.
5. Using centimeter marks on the catheter as positioning reference points, advance the catheter to at least the minimum marker number to ensure the proximal infusion port is in the vessel.
6. Hold the catheter at the desired depth and remove the guidewire. If resistance is encountered when attempting to remove the guidewire after catheter placement, the guidewire may be kinked at the tip of the catheter. If resistance is encountered, withdraw the catheter relative to the guidewire about 2–3 cm and attempt to remove the guidewire. If resistance is encountered again, remove the guidewire and catheter simultaneously.

Caution. Do not apply undue force to the guidewire.

7. Verify that the guidewire is intact upon removal.
8. Check catheter placement by attaching a syringe to the distal infusion Luer and aspirate until a free flow of venous blood is observed. Connect the infusion Luer to the appropriate Luer-Lock line as required. The unused infusion port may be locked through the injection cap using standard hospital protocol. A slide clamp is provided on the tubing to occlude flow through the infusion Luer during line and injection cap changes.

Caution. To minimize risk of damage to the tubing from excessive pressure, the clamp must be opened prior to infusing through the Luer.

Caution. Do not clamp or occlude IN or OUT lines. This can cause line blockage and possible failure.

9. Secure and dress the insertion site and catheter temporarily.
10. Verify the catheter tip position by chest x-ray immediately after placement. X-ray examination must show the catheter located in the IVC with the distal end of the catheter parallel to the vena cava wall. If the catheter tip is malpositioned, reposition and reverify.

11. The proximal radiopaque marker indicates the proximal end of the balloon. Ensure that the balloon resides completely in the vessel. If the catheter is malpositioned, reposition and reverify.
12. Secure the catheter to the patient. Use the suture tab side wings as the primary suture site to minimize the risk of catheter migration.
13. The ZOLL suture tab and clip can also be used as an additional attachment point. Ensure that the catheter body is secure and does not slide.

Caution. Use only the ZOLL suture tab and clip provided in the kit. Catheter damage may result if other tabs or clips are used.

Caution. Do not suture directly to the outside diameter of the catheter, to minimize the risk of cutting or damaging the catheter or impeding catheter flow.

14. Dress the puncture site per hospital protocol. Maintain the insertion site with regular meticulous redressing using aseptic technique.
15. Record on the patient's chart the indwelling catheter length using the centimeter marks on the catheter shaft as reference. Frequent visual reassessment should be made to ensure that the catheter has not moved.
16. Attach a primed Start-Up Kit to the catheter: Connect the male Luer of the Start-Up Kit to the female IN Luer of the catheter (labeled "IN"). Connect the female Luer of the Start-Up Kit to the male OUT Luer of the catheter (labeled "OUT"). White "ZOLL" tags are fitted loosely to the IN and OUT extension tubes to help identify them.

Note. The Start-Up Kit IN and OUT Luers are only intended to connect to the catheter IN and OUT Luers and are not intended to connect to standard Luer Lock syringes. They have ZOLL custom fittings and are orange in color for easy identification.

17. Ensure that a sufficient amount of sterile saline is present at the ends of the Luers to make an air-free connection. Refer to the operation manual.

WARNING. Failure to connect the Start-Up Kit correctly to the catheter could result in catheter failure. Do not attach the Start-Up Kit (orange) Luers to the blue, white, or brown Luers.

Caution. Do not attach the Start-Up Kit to the distal port.

Caution. Do not place any stopcocks in line that may be inadvertently shut off. This can cause line blockage and possible failure.

18. Pump saline through the Start-Up Kit and catheter to ensure that all connections are secure and that there is no leaking. Allow any remaining air in the system to be purged out as described in the operation manual.

Disconnecting the catheter from the console

1. Stop circulation of saline through the catheter.
2. Disconnect the Start-Up Kit from the catheter.
3. To maintain sterile connections, immediately cap off the Luer connectors of both the catheter and Start-Up Kit using sterile Luer caps, or connect the IN and OUT Luers together.

Reconnecting the catheter to the console

1. Remove the Luer caps from the Luer connectors of the catheter and Start-Up Kit. Discard the Luer caps, or disconnect the IN and OUT Luers from each other.
2. Attach the Start-Up Kit to the catheter: Connect the male Luer of the Start-Up Kit to the female IN Luer of the catheter. Connect the female Luer of the Start-Up Kit to the male OUT Luer of the catheter. The Start-Up Kit and catheter IN and OUT Luers are orange in color. Ensure that a sufficient amount of sterile saline is present at the ends of the Luers to make an air-free connection.

WARNING. Failure to connect the Start-Up Kit correctly to the catheter could result in catheter failure.

WARNING. Do not use the IN and OUT Luer fittings for standard central line infusion ports. They are for connection to the Coolgard/Thermogard console only. The Start-Up Kit IN and OUT Luers are only intended to connect to the catheter IN and OUT Luers. They have ZOLL custom fittings and are orange in color for easy identification.

Caution. Do not place any extra stopcocks in line that may be inadvertently shut off. This can cause line blockage and possible failure.

Removing the catheter

1. Stop pumping saline through the catheter.
2. Disconnect the Start-Up Kit from the catheter. **Uncap or leave uncapped the IN and OUT Luers of the catheter.** This will allow residual saline within the circuit to be expressed. As the catheter is withdrawn, the balloons are compressed. Saline within the balloons must be free to pass out of the balloon or the balloon will not deflate, making the catheter difficult to remove.
3. Optionally, attach a 20 or 25 cc syringe to the catheter IN Luer. Pull and hold a vacuum for 15 seconds to allow residual saline to be removed from the catheter balloon section prior to removing the catheter.

4. Place the patient in a supine position. Remove the dressing. Remove the sutures from the suture site.

WARNING. Do not place a Luer cap on the OUT Luer.

5. Slowly remove the catheter from the patient. As the catheter exits the site, apply pressure with a dressing impermeable to air (e.g. Vaseline gauze).

WARNING. Do not move the catheter if resistance is felt. Check to ensure that the IN and OUT Luers of the cooling circuit are NOT capped. If they are capped, uncap them, deflate the balloon, and try removing the catheter again. If resistance is still encountered, an x-ray should be performed to identify the reason for the resistance.

MRI safety information



The Icy Intravascular Heat Exchange Catheter is MR Conditional. A patient with this catheter may be safely scanned under the following conditions. Failure to follow these conditions may result in injury to the patient.

Parameter	Condition
Nominal Values of Static Magnetic Field (T)	1.5 T and 3.0 T
Maximum Spatial Field Gradient (T/m and gauss/cm)	40 T/m (4,000 gauss/cm)
Type of RF Excitation	Circularly Polarized (CP) (i.e., quadrature-driven)
Transmit RF Coil Information	There are no transmit RF coil restrictions. Accordingly, the following may be used: body transmit RF coil and all other RF coil combinations (i.e., body RF coil combined with any receive-only RF coil, transmit/receive head RF coil, transmit/receive knee RF coil, etc.)
Operating Mode of MR System	Normal Operating Mode
Maximum Whole Body Averaged SAR	2-W/kg (Normal Operating Mode)
Limits on Scan Duration	Whole body averaged SAR of 2-W/kg for 60 minutes of continuous RF exposure (i.e., per pulse sequence or back to back sequences/series without breaks)
MR Image Artifact	The presence of this implant produces an imaging artifact. Therefore, carefully select pulse sequence parameters if the implant is located in the area of interest.
WARNING	The ZOLL Coolgard and Thermogard consoles are MR Unsafe and, thus, these consoles are not allowed in the MR system room. Therefore, the catheter must be disconnected from the console prior to moving the patient into the MR system room.

Guidewire Instructions for Use

Note. This information applies only to the use of guidewires in the Seldinger technique of catheter placement in the vasculature.

Warnings

The supplied guidewire is designed for single use only. Do not resterilize or reuse. Do not reinsert, once removed from the patient.

Should resistance occur during insertion or withdrawal, do not continue to move the guidewire. Determine the cause under fluoroscopy and take action as needed.

Use extreme caution when moving a guidewire through a stent. Use of a guidewire in stented vessels creates additional patient risk.

Cautions

Avoid withdrawing the guidewire through metal needles; the guidewire may shear.

Because of the delicate and fragile nature of guidewires, extra care in handling must be taken. Avoid bending or kinking. Do not use damaged guidewires.

During storage or procedures, avoid coiling the guidewire in less than 8 inch (20.32 cm) diameters, as smaller diameters place unnecessary stress on the guidewire and may cause it to kink. The provided dispenser is the best means of storage and handling of the guidewire.

Sufficient guidewire length must remain exposed to maintain a firm grip on the guidewire at all times.

Dispenser

Every guidewire is provided in a dispenser package within a Tyvek pouch. Remove the guidewire from the Tyvek pouch. Remove the guidewire protective cap immediately prior to guidewire use. Prepare the guidewire prior to insertion. It is recommended that the dispenser be filled with heparinized solutions (e.g. saline or dextrose) to bathe the guidewire during insertion.

The preformed "J" guidewire will resume its shape when removed from the product dispenser.



1. Guidewire protective cap

Inspection

Inspect the guidewire prior to use and discard if any deformities are present in the guidewire. Guidewire placement should be routinely monitored by x-ray or fluoroscopic procedure.

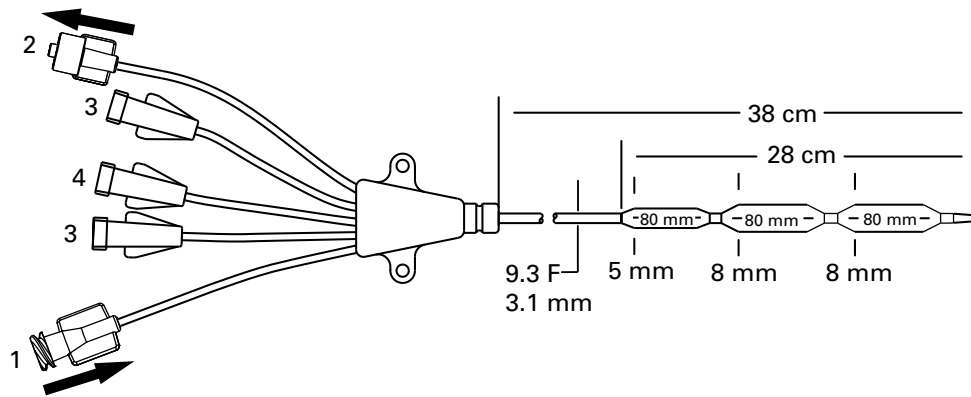
Technique

1. Puncture the vessel.
2. Insert the guidewire into the needle hub and gently advance 5-10 cm of the guidewire into the punctured vessel. Navigate the guidewire to the desired position.

Caution. Avoid rough or overly vigorous manipulation of the guidewire to prevent damage to the guide or the vessel.
3. Remove the needle from the guidewire.
4. Dilate the tissue and vessel with the dilator using a slight rotary motion.
5. Remove the dilator (the vessel dilator is intended for vascular dilation only).
6. Introduce the catheter by sliding it over the guidewire.
7. Remove the guidewire.

Icy catheter

1. IN Luer
2. OUT Luer
3. Infusion ports
4. Distal Luer



©2024 ZOLL Medical Corporation. All rights reserved. ZOLL and Icy are trademarks or registered trademarks of ZOLL Medical Corporation and/or ZOLL Circulation Inc. in the United States and/or other countries. All trademarks are the property of their respective owners.

Patent: www.zoll.com/patents

Français (fr)

Modèles IC-3893AE/8700-0782-40 et IC-3893CO/8700-0782-14

Le kit de cathéter d'échange thermique intravasculaire Icy® comprend :

Quantité	Description
1 AE(CO)	Cathéter d'échange thermique intravasculaire Icy 9,3 F x 38 cm Perfusion trois voies à raccords Luer Clamps de prolongateur Tige radio-opaque Revêtement d'héparine Applause
1 AE(CO)	Fil-guide 0,032 po (0,81 mm) x 75 cm
1 AE(CO)	Dilatateur de vaisseau 10,5 F x 0,038 po (3,6 mm x 1,0 mm)
1 AE(CO)	Langouette et clip de suture détachables
1 AE	Cathéter radio-opaque sur aiguille 18 ga x 2 ½ po (1,3 mm x 63 mm)
1 AE	Seringue 5 ml et aiguille 22 ga x 1 ½ po (0,7 mm x 38 mm)
1 AE	Champ à fenêtre
1 AE	Aiguille 18 ga x 2 ¾ po (1,3 mm x 70 mm)
6 AE	Compresses de gaze 4 po x 4 po (10 cm x 10 cm)
1 AE	Fil de suture en soie 000
1 AE	Lame chirurgicale no 11 à long manche

Remarque – Éléments fournis selon les modèles

Chaque modèle de base est livrable soit avec un kit d'insertion standard (AE), soit sans ce kit (CO). Les éléments communs aux modèles de base fournis avec ou sans ce kit sont marqués AE(CO) dans le tableau ci-dessus. Les éléments fournis avec le kit d'insertion standard uniquement sont marqués AE.

Description du dispositif

Le cathéter d'échange thermique intravasculaire Icy (le « cathéter Icy » ou le « cathéter ») est un cathéter souple stérile, à usage unique, de 9,3 F conçu pour être placé dans la veine cave inférieure, à partir d'un site d'insertion situé sur la veine fémorale. Le cathéter Icy est destiné à être raccordé à un kit de démarrage ZOLL® jetable à usage unique et à la gamme de consoles Coolgard® ou Thermogard® (la « console »), ces éléments étant tous fournis séparément. Un dilatateur et un fil-guide sont nécessaires pour l'insertion percutanée du cathéter Icy. Trois raccords Luer sont disponibles pour la perfusion et le prélèvement.

Port de perfusion	Débit	Volume d'amorçage
Port distal (brun)	1700 ml/h	0,5 ml
Port médian (blanc)	900 ml/h	0,4 ml
Port proximal (bleu)	1200 ml/h	0,4 ml

Les surfaces du cathéter en contact avec le sang (embout, ballonnet et tige) sont traitées avec un revêtement d'héparine anti-thrombotique Applause.

Stérilité

Stérilisé à l'oxyde d'éthylène. Le cathéter est fourni stérile. Il est à usage unique et ne doit pas être restérilisé. L'emballage doit être inspecté avant l'emploi pour s'assurer que la barrière de stérilité n'a pas été compromise.

Conservation

Conserver dans un endroit sec et frais. Éviter le gel et la chaleur excessive.

Utilisation prévue

Le cathéter Icy, combiné au système Coolgard ou Thermogard, permet de faire circuler du sérum physiologique stérile de température contrôlée dans un échangeur thermique pour refroidir ou réchauffer le sang des patients chez qui la mise en place d'un cathéter central présenterait des risques justifiés. Durée d'utilisation maximale : 4 jours.

Contre-indications

1. Les risques associés au cathéter sont essentiellement ceux d'un cathéter veineux central. Le cathéter ne doit pas être utilisé chez les patients chez qui la mise en place d'un cathéter central est contre-indiquée.
2. Diathèse hémorragique.
3. Septicémie active.
4. Infection ou hémorragie active au point d'insertion du cathéter.
5. Patients ne présentant pas d'accès vasculaire ou dont le système vasculaire ne permet pas la mise en place d'un cathéter, notamment ceux porteurs de filtres dans la veine cave ou d'autres dispositifs implantés empêchant le passage d'un cathéter.
6. Patients dont la température ne peut être surveillée comme requis par la procédure.
7. L'hypothermie est contre-indiquée chez les patients atteints de maladies hématologiques qui seraient aggravées par l'hypothermie, p. ex., toute maladie accompagnée de cryoglobulinémie, toute hémoglobinopathie où l'exposition au froid peut précipiter l'apparition d'une anémie hémolytique, notamment la drépanocytose ou la thalassémie.
8. Non indiqué chez les enfants et les nouveau-nés.

Avertissements, mises en garde, réactions indésirables

Le cathétérisme veineux central doit être effectué seulement par un personnel dûment formé connaissant parfaitement les repères anatomiques et la technique à employer. Le personnel doit aussi avoir connaissance des complications potentielles.

AVERTISSEMENT

Le cathéter doit être mis en place exclusivement par un abord veineux fémoral. Le cathéter ne doit pas être placé dans l'oreillette droite ni dans le ventricule droit. Le placement du cathéter dans l'oreillette droite ou le ventricule droit peut entraîner de graves lésions, voire le décès du patient.

Exclusivement à usage unique. Le produit est conçu exclusivement pour un usage unique. Ne pas restériliser ou réutiliser. Ne pas réintroduire une fois retiré du patient. Ne modifier en aucune façon le cathéter.

Les risques potentiels associés à la réutilisation d'un dispositif à usage unique comprennent notamment :

- Infection potentiellement mortelle
- Choc toxique lié à une dégradation des matériaux
- Risque accru de thrombose
- Efficacité d'échange thermique réduite
- Défaillance du dispositif

AVERTISSEMENT. Le cathéter Icy et le kit de démarrage pourraient potentiellement mal se connecter à d'autres dispositifs dotés de raccords de petit calibre. De tels défauts de connexion peuvent entraîner des lésions, voire le décès du patient.

Mise en garde. Les raccords Luer fabriqués sur mesure intégrés au cathéter et au kit de démarrage sont susceptibles de réduire ce risque de mauvaise connexion, mais ce risque peut toujours être présent avec les applications spécifiques des dispositifs médicaux ci-dessous : systèmes respiratoires et applications au gaz propulseur, applications entérales et gastriques, applications urétrales et urinaires, applications pour gonflage de brassard sur un membre, applications neuraxiales et applications intravasculaires ou hypodermiques. Il convient d'être vigilant lors de la connexion des cathéters ZOLL et des kits de démarrage avec les applications susmentionnées ou avec d'autres applications de dispositifs médicaux.

Mise en garde. S'assurer que le cathéter lcy et/ou le kit de démarrage ne sont pas raccordés à un connecteur intraveineux ou à d'autres dispositifs médicaux.

1. Le cathéter doit être positionné de manière à ce que son embout distal se trouve dans la veine cave inférieure, en dessous de la jonction de la veine avec l'oreillette droite, et orienté parallèlement à la paroi vasculaire. S'assurer sous contrôle radiographique que le cathéter ne se trouve pas dans l'oreillette droite ni dans le ventricule droit.
2. **Mise en garde.** En cas de présence de sang dans le circuit d'acheminement du sérum physiologique, arrêter la procédure et vérifier si une fuite est présente dans le cathéter.
3. Les complications possibles associées aux cathéters veineux centraux sont notamment : perforation auriculaire ou ventriculaire, tamponnade cardiaque, embolie gazeuse, embolie par cathétérisme, laceration du canal thoracique, bactériémie, septicémie, thrombose, perforation artérielle accidentelle, formation d'hématomes, hémorragie, lésion d'un nerf et dysrythmie.
4. Tous les raccords Luer-Lock et tous les bouchons doivent être solidement serrés pour éviter les embolies gazeuses ou les pertes de liquide ou de sang.
5. Ne jamais exercer de force excessive pour déplacer le cathéter ou le fil-guide. En cas de résistance, déterminer la raison du blocage sous contrôle radiographique.
6. Le passage du fil-guide dans le cœur droit peut entraîner une dysrythmie, un bloc de branche droite ou une perforation de la paroi vasculaire, de l'oreillette ou du ventricule.
7. Utiliser uniquement du sérum physiologique stérile pour l'amorçage du cathéter. Le sérum sert également de liquide en circulation dans le cathéter.
8. Inspecter régulièrement le débit et la position correcte du cathéter ainsi que la contention du pansement et le serrage des raccords Luer-Lock. Utiliser les repères centimétriques pour déterminer si la position du cathéter a changé. Les cathéters à ballonnet à plusieurs voies sont associés à un risque potentiel de traitement inadéquat, y compris un défaut de perfusion des médicaments par les voies de perfusion.
9. La pénétration de l'embout du cathéter dans le cœur ou le déplacement du cathéter par rapport à la paroi vasculaire ne peuvent être détectés que sous contrôle radiographique. Si la position du cathéter a changé, effectuer un examen radiographique pour confirmer la position de son embout.
10. Pour effectuer un prélèvement sanguin, fermer temporairement les ports de perfusion utilisés pour la perfusion de solutions.
11. Les prélèvements sanguins doivent être effectués uniquement avec une seringue de 30 ml maximum.
12. L'alcool et l'acétone peuvent affaiblir la structure du matériau de la tige. Il convient donc de faire preuve de prudence lors de la perfusion de médicaments contenant de l'alcool ou lors de l'utilisation d'alcool ou d'acétone pour le nettoyage et l'entretien de routine du cathéter. Ne pas utiliser d'alcool pour éliminer les caillots présents dans le cathéter.
13. Pour éviter d'endommager le cathéter, utiliser uniquement la languette et le clip de suture ZOLL fournis dans le kit.
14. L'utilisation d'une seringue de moins de 10 ml pour irriguer ou déboucher un cathéter obstrué peut entraîner des fuites intraluminales ou une rupture du cathéter.
15. Ne pas utiliser les raccords Luer-Lock orange marqués IN (entrée) et OUT (sortie) pour la perfusion d'un traitement, car le traitement serait inefficace.
16. La présence de fièvre chez un patient peut être due à des causes infectieuses ou non infectieuses. L'atténuation d'une fièvre d'origine infectieuse potentielle nécessite une évaluation quotidienne méticuleuse du patient à la recherche d'autres signes d'infection.
17. Faire preuve de prudence lors de la perfusion de médicaments dont les propriétés peuvent être altérées par des températures froides (jusqu'à 4 °C). Les solutions contenant du mannitol sont sensibles à la température et ne doivent pas être administrées par le cathéter, sauf en cas de bolus intraveineux rapide d'une concentration maximale de 20 % de solution de mannitol, suivi d'une solution

physiologique salée. L'administration de solutions de mannitol d'une concentration supérieure à 20 % au moyen d'un goutte-à-goutte ou d'une pompe à perfusion nécessite l'utilisation d'une ligne de perfusion séparée.

18. Tamponnade cardiaque : la mise en place de cathéters à demeure dans l'oreillette droite est une pratique qui peut entraîner une perforation ou une tamponnade cardiaque. Les médecins pratiquant des cathétérismes veineux centraux doivent prendre en compte ce risque de complication potentiellement mortelle et éviter d'introduire le cathéter trop profondément, par rapport à la taille du patient. La position effective de l'embout du cathéter à demeure doit toujours être confirmée sous contrôle radiographique après l'insertion. Les cathéters veineux centraux ne doivent être introduits dans l'oreillette droite que si une intervention relativement courte justifie spécifiquement cette approche, telle que l'aspiration d'une embolie gazeuse au cours d'une neurochirurgie. Ces interventions sont néanmoins risquées et doivent faire l'objet d'une surveillance et d'un contrôle rigoureux.
19. Le cathéter est recouvert d'héparine. Cet anticoagulant peut déclencher ou aggraver une thrombocytopenie induite par l'héparine (TIH) préexistante.
20. **AVERTISSEMENT.** Lors du raccordement d'ensembles/systèmes de perfusion au cathéter, s'assurer que la pression ne dépasse pas 100 psi/689 kPa.
21. Certaines pathologies peuvent être aggravées lorsque les patients sont placés intentionnellement sous hypothermie. Il convient de surveiller étroitement l'homéostasie des patients au cours de l'hypothermie.
 - Troubles du rythme cardiaque – à la fois bradycardie et tachyarythmie ventriculaire.
 - Formation de caillots et fonction de coagulation. Les patients présentant des risques de troubles de la coagulation doivent être surveillés de près au cours de l'hypothermie.
 - Gaz sanguin et analyse du pH. L'hypothermie modifie le pH et la pression partielle du gaz carbonique dans le sang artériel (PaCO₂) au repos. Les médecins doivent prendre en compte l'effet de la température sur le résultat.
 - Une hypothermie prolongée affaiblit la réaction immunitaire et la fonction pulmonaire.

AVERTISSEMENT. Fuites intraluminales ou fuites du ballonnet.

Les fuites intraluminales (entre la voie d'acheminement du sérum physiologique et les voies de perfusion) ou les fuites du ballonnet représentent un mode de défaillance possible du cathéter. Dans l'éventualité de telles fuites, le sérum physiologique stérile du circuit de refroidissement est introduit dans le patient. Les fuites intraluminales ou les fuites du ballonnet sont généralement associées à une alarme d'épuisement de liquide qui se déclenche lorsque la poche est vide et désactive le système.

Toujours rechercher la cause des alarmes associées au niveau des liquides. Le circuit de refroidissement est un système à boucle fermée : les alarmes de fuite de liquide indiquent en général une rupture de cette boucle fermée. Il convient alors de vérifier à la fois l'intégrité du cathéter et du kit de démarrage (voir ci-dessous).

AVERTISSEMENT. En cas de poche de sérum physiologique vide ou d'alarme d'obturateur d'air, ne pas remplacer la poche de sérum physiologique avant d'avoir identifié la source de la fuite et d'avoir pris les mesures correctives appropriées. Vérifier si des fuites sont présentes dans le système selon les instructions fournies dans les sections Vérifier si une fuite est présente dans le kit de démarrage et Vérifier si une fuite est présente dans le cathéter ci-dessous. (Noter qu'une fuite peut être externe ou interne.)

Le remplacement répété de la poche de sérum physiologique sans rechercher la cause de la fuite ou de l'épuisement du sérum physiologique peut entraîner une perfusion accidentelle du sérum physiologique dans le patient. La perfusion de sérum physiologique peut entraîner les effets indésirables suivants : un gonflement localisé pouvant provoquer des lésions localisées des tissus ; une surcharge systémique de liquide pouvant potentiellement provoquer un œdème dépendant et des lésions cutanées consécutives ; une surcharge de liquide dans les organes internes, avec surcharge consécutive dans le cerveau, les poumons ou le cœur. Dans certains cas, cette surcharge de liquide peut entraîner des événements menaçant le pronostic vital.

Mise en garde. La console émet une alarme lorsque la poche de sérum physiologique est vide. La poche doit être entièrement vide et l'excédent de sérum physiologique doit s'être écoulé entre le perforateur de sérum physiologique et l'obturateur d'air pour abaisser le niveau de sérum physiologique dans l'obturateur d'air au point de déclencher l'alarme.

Vérifier si une fuite est présente dans le kit de démarrage

- Vérifier si l'obturateur d'air présente des signes de condensation. Si l'obturateur d'air présente des signes de condensation, l'essuyer et le réinstaller dans la console. Si une alarme d'obturateur d'air se déclenche, vérifier qu'elle s'efface après cette étape.
- Vérifier soigneusement la voie d'acheminement du sérum physiologique de la poche de sérum physiologique vers la console afin de détecter toute présence de fuite. Vérifier si du sérum physiologique s'est déversé sur le sol, sur la console ou sur le lit du patient.
- En cas de déversement de sérum physiologique sur le sol, la console ou le lit du patient, vérifier que les raccords Luer sur le cathéter et sur le kit de démarrage ne sont ni fissurés ni endommagés et que les raccords sont suffisamment étanches pour éviter les fuites.
- Si le kit de démarrage présente une fuite, le remplacer et vérifier si le cathéter fuit également.
- Si le kit de démarrage ne présente aucune fuite, il est probable qu'il y ait une fuite au niveau du cathéter. Poursuivre la recherche.

Vérifier si une fuite est présente dans le cathéter

- Débrancher le kit de démarrage du cathéter. Obturer hermétiquement le cathéter et le kit de démarrage à l'aide d'une technique aseptique.
- Remplir une seringue stérile à embout coulissant de 10 ml de sérum physiologique stérile.
- Raccorder la seringue au raccord Luer IN (entrée) du cathéter et ôter le bouchon de la voie OUT (sortie). Injecter les 10 ml de sérum physiologique ; le sérum doit s'écouler par le raccord Luer OUT (sortie). Si le sérum physiologique ne s'écoule pas par le raccord Luer OUT (sortie), cela dénote une fuite du cathéter.
- Obturer le raccord Luer OUT (sortie) et générer 5 ml de vide. Maintenir pendant au moins 10 secondes. Jusqu'à 4 ml de sérum physiologique (et non de sang) doivent entrer dans la seringue et le vide doit pouvoir être maintenu. Si la seringue contient des traces de sang ou que le vide ne peut être maintenu, cela dénote une fuite du cathéter.
- Remplacer le cathéter s'il présente une fuite.
- Remplacer la poche de sérum physiologique et réamorcer le kit de démarrage.
- S'assurer que les raccords Luer du kit de démarrage sont étanches et poursuivre le traitement.

Matériel requis

Quantité	Description
1	Kit de cathéter Icy pour introduction percutanée
1	Poche de sérum physiologique de 500 ml (non fournie)
	Kit de démarrage (fourni séparément)
1	• Tubulure standard 6 pi (183 cm) ou • Tubulure prolongée 9 pi (274 cm)
1	Système Coolgard ou Thermogard (fourni séparément)
1	Kit d'accessoires de cathétérisme [modèle (CO) uniquement]
1	Sonde de température YSI-400 (non fournie)

Préparation et insertion du cathéter

Remarque. Le cathéter est équipé d'une bande radio-opaque de marquage permettant de localiser le cathéter sous contrôle radiographique pendant et après son insertion. L'extrémité proximale du ballonnet proximal comporte aussi une bande de marquage. L'embout du cathéter contient du sulfate de baryum le rendant radio-opaque.

Procéder selon une technique aseptique.

Mise en garde. Les raccords Luer IN (entrée) et OUT (sortie) de ce cathéter sont fabriqués sur mesure et destinés à être raccordés uniquement au kit de démarrage indiqué dans la liste du Matériel requis.

Préparation du cathéter

- Placer le patient en position de décubitus dorsal.
- Préparer le point de ponction et le recouvrir d'un champ opératoire selon les besoins de l'intervention.
- Sortir soigneusement le cathéter de son emballage sans retirer la membrane de protection.
- Décapuchonner les raccords Luer IN (entrée) et OUT (sortie). Sans retirer la membrane de protection du cathéter, remplir une seringue (5 ml ou plus) de sérum physiologique stérile et raccorder la seringue au raccord Luer femelle IN (entrée).

AVERTISSEMENT. Ne jamais injecter une pression positive dans le raccord Luer IN (entrée) lorsque le bouchon du raccord Luer OUT (sortie) est en place.

- Injecter délicatement le sérum physiologique dans le cathéter jusqu'à ce qu'il s'écoule par le raccord Luer OUT (sortie).
- À l'aide d'une seringue de 5 ml ou plus, injecter du sérum physiologique stérile dans le raccord Luer des voies de perfusion distale, proximale et médiane pour rincer. Clamper les voies de perfusion proximale et médiane ou mettre un bouchon d'injection sur leur raccord Luer. Laisser le raccord Luer distal décapuchonné pour permettre le passage du fil-guide.

Mise en garde. Toujours amorcer les raccords Luer de perfusion du cathéter avant d'introduire le cathéter dans le patient.

- Retirer la membrane de protection du cathéter. En cas de résistance lors du retrait de la protection, la rincer avec du sérum physiologique stérile. Inspecter le cathéter pour s'assurer que tout l'air a été purgé de la membrane d'échange thermique. Inspecter le cathéter pour vérifier l'absence de fuites.

Mise en garde. Éviter tout essuyage excessif du cathéter avec revêtement. Éviter d'essuyer le cathéter avec de la gaze sèche, ce qui risquerait d'endommager le revêtement du cathéter. Éviter l'utilisation d'alcool, de solutions antiseptiques ou d'autres solvants pour pré-traiter le cathéter, cela risquerait d'entraîner des modifications imprévisibles du revêtement, qui pourraient nuire à la sécurité et aux performances du dispositif.

AVERTISSEMENT. Ne pas couper le cathéter pour le raccourcir.

Insertion du cathéter

AVERTISSEMENT. Utiliser un abord veineux fémoral exclusivement.

- Créer une voie d'accès veineuse fémorale selon des techniques percutanées standard. Maintenir l'accès au moyen d'un fil-guide de 0,032 po (0,81 mm). Consulter le mode d'emploi du fil-guide.
AVERTISSEMENT. Ne pas tenter de réintroduire l'aiguille d'un cathéter introducteur sur aiguille qui a été retirée partiellement ou totalement de son cathéter.
Mise en garde. Ne pas utiliser un fil-guide de plus de 0,032 po (0,81 mm) avec le cathéter.
- Tout en maintenant le fil-guide en place, retirer le cathéter d'introduction.
Mise en garde. Tenir le fil-guide fermement pendant toute l'intervention.
- Élargir le point de ponction cutanée avec le bord acéré d'un scalpel positionné en sens opposé au fil-guide.

AVERTISSEMENT. Ne pas sectionner le fil-guide. Utiliser le dilateur de vaisseau pour élargir le site de ponction le cas échéant. Ne pas laisser le dilateur de vaisseau en place comme s'il s'agissait d'un cathéter à demeure afin de limiter le risque de perforation de la paroi vasculaire.

4. Enfiler l'embout du cathéter sur le fil-guide. Maintenir fermement le fil-guide pendant l'insertion du cathéter. En saisissant l'embout du cathéter à proximité de la peau, le faire avancer dans la veine. Continuer à faire avancer le cathéter par-dessus le fil-guide, en plaçant les doigts juste en amont du ballonnet.
5. En utilisant les repères centimétriques du cathéter comme points de référence, pousser le cathéter au moins jusqu'à la première marque, afin de vérifier que le port de perfusion proximal est dans le vaisseau.
6. Maintenir le cathéter à la profondeur désirée et retirer le fil-guide. En cas de résistance lors du retrait du fil-guide, une fois le cathéter en place, recourber le fil-guide à l'embout du cathéter. En cas de résistance, retirer le cathéter de 2 à 3 cm par rapport au fil-guide et essayer à nouveau de retirer le fil-guide. Si le problème n'est pas résolu, retirer le fil-guide et le cathéter simultanément.

Mise en garde. Ne pas exercer de force excessive sur le fil-guide.

7. Vérifier que le fil-guide est intact une fois retiré.
8. Pour vérifier la position du cathéter, raccorder une seringue à la ligne de perfusion distale et aspirer jusqu'à ce que du sang veineux s'écoule librement. Raccorder le raccord Luer de perfusion à la ligne à raccord Luer-Lock appropriée selon les besoins de l'intervention. Le port de perfusion non utilisé peut être verrouillé au moyen du bouchon d'injection conformément au protocole hospitalier standard. Un clamp à coulisse est fourni sur les lignes de perfusion pour bloquer l'écoulement au travers des raccords Luer de perfusion lors du changement des bouchons d'obturation et des bouchons d'injection.

Mise en garde. Pour éviter d'endommager la tubulure par une pression excessive, déclamer la voie de perfusion utilisée avant de lancer la perfusion.

Mise en garde. Ne pas clamber ni occlure les lignes IN (entrée) ou OUT (sortie). Cela pourrait entraîner l'obstruction des lignes, voire leur défaillance.

9. Fixer temporairement le cathéter sur le site de ponction et appliquer un pansement.
10. Vérifier la position de l'embout du cathéter par radiographie thoracique, immédiatement après sa mise en place. D'après la radiographie, le cathéter doit se trouver dans la veine cave inférieure, l'embout distal étant parallèle à la paroi vasculaire. Si l'embout du cathéter n'est pas positionné correctement, rectifier et vérifier à nouveau sa position.
11. Le marqueur radio-opaque proximal indique l'extrémité proximale du ballonnet. Veiller à ce que le ballonnet soit entièrement contenu dans le vaisseau. Si le cathéter n'est pas positionné correctement, rectifier et vérifier à nouveau sa position.
12. Fixer le cathéter au patient. Utiliser les ailettes latérales du clip de suture comme site de suture principal pour minimiser le risque de migration du cathéter.
13. La languette et le clip de suture ZOLL peuvent aussi être utilisés comme point de fixation supplémentaire. S'assurer que le corps du cathéter est solidement fixé et ne glisse pas.

Mise en garde. Utiliser uniquement la languette et le clip de suture ZOLL fournis dans le kit. L'utilisation d'autres languettes et clips risquerait d'endommager le cathéter.

Mise en garde. Ne pas suturer directement contre le diamètre extérieur du cathéter, afin de limiter le risque de sectionner ou d'endommager le cathéter ou d'en entraver le débit.

14. Appliquer un pansement au point de ponction conformément au protocole hospitalier. Veiller à changer régulièrement et avec soin le pansement au point d'insertion à l'aide d'une technique aseptique.
15. Consigner la longueur du cathéter à demeure dans le dossier du patient en utilisant les repères centimétriques prévus sur la tige du cathéter comme points de référence. Des réévaluations visuelles fréquentes doivent être effectuées pour s'assurer que le cathéter n'a pas bougé.

16. Fixer un kit de démarrage amorcé au cathéter : connecter le raccord Luer mâle du kit de démarrage au raccord Luer femelle IN (entrée) du cathéter. Connecter le raccord Luer femelle du kit de démarrage au raccord Luer mâle OUT (sortie) du cathéter. Les prolongateurs IN (entrée) et OUT (sortie) sont chacun identifiés par une étiquette blanche « ZOLL » qui pend librement.

Remarque. Les raccords Luer IN (entrée) et OUT (sortie) du kit de démarrage sont destinés à être raccordés uniquement aux raccords Luer IN (entrée) et OUT (sortie) du cathéter, et non aux seringues à embout Luer-Lock standard. Ce sont des raccords fabriqués spécialement pour ZOLL, reconnaissables à leur couleur orange.

17. S'assurer qu'une quantité suffisante de sérum physiologique stérile est présente à l'extrémité des raccords Luer pour empêcher l'air d'entrer dans le circuit lors du raccordement. Consulter le manuel d'utilisation.

AVERTISSEMENT. Le raccordement incorrect du kit de démarrage au cathéter peut entraîner la défaillance du cathéter. Ne pas connecter les raccords Luer (orange) du kit de démarrage aux raccords Luer bleu, blanc ou brun.

Mise en garde. Ne pas raccorder le kit de démarrage au port distal.

Mise en garde. Ne pas raccorder des robinets d'arrêt susceptibles d'être fermés par accident aux lignes du cathéter. Cela pourrait entraîner l'obstruction des lignes, voire leur défaillance.

18. Actionner la pompe pour faire passer le sérum physiologique dans le kit de démarrage et le cathéter afin de vérifier la solidité et l'étanchéité de toutes les connexions. Purger tout air présent dans le système conformément aux instructions du manuel d'utilisation.

Séparer le cathéter de la console

1. Arrêter l'écoulement du sérum physiologique dans le cathéter.
2. Débrancher le kit de démarrage du cathéter.
3. Pour préserver la stérilité des connexions, obturer immédiatement les raccords Luer du cathéter et du kit de démarrage à l'aide de bouchons Luer stériles ou connecter les raccords IN (entrée) et OUT (sortie) l'un à l'autre.

Raccorder à nouveau le cathéter à la console

1. Retirer les bouchons Luer des raccords Luer du cathéter et du kit de démarrage. Jeter les bouchons Luer ou débrancher les raccords Luer IN (entrée) et OUT (sortie) l'un de l'autre.
2. Brancher le kit de démarrage au cathéter : connecter le raccord Luer mâle du kit de démarrage au raccord Luer femelle IN (entrée) du cathéter. Connecter le raccord Luer femelle du kit de démarrage au raccord Luer mâle OUT (sortie) du cathéter. Les raccords Luer du kit de démarrage et des voies IN (entrée) et OUT (sortie) sont orange. S'assurer qu'une quantité suffisante de sérum physiologique stérile est présente à l'extrémité des raccords Luer pour empêcher l'air d'entrer dans le circuit lors du raccordement.

AVERTISSEMENT. Le raccordement incorrect du kit de démarrage au cathéter peut entraîner la défaillance du cathéter.

AVERTISSEMENT. Ne pas utiliser les raccords Luer IN (entrée) et OUT (sortie) comme ports de perfusion de cathéter central standard. Ils sont réservés exclusivement au raccordement de la console Coolgard ou Thermogard. Les raccords Luer IN (entrée) et OUT (sortie) du kit de démarrage sont destinés à être raccordés uniquement aux raccords Luer IN (entrée) et OUT (sortie) du cathéter. Ce sont des raccords fabriqués spécialement pour ZOLL, reconnaissables à leur couleur orange.

Mise en garde. Ne pas raccorder des robinets d'arrêt supplémentaires susceptibles d'être fermés par accident aux lignes du cathéter. Cela pourrait entraîner l'obstruction des lignes, voire leur défaillance.

Retrait du cathéter

1. Arrêter l'injection de sérum physiologique dans le cathéter.
2. Débrancher le kit de démarrage du cathéter. **Ôter le bouchon des raccords Luer IN (entrée) et OUT (sortie) du cathéter, ou laisser les voies débouchées le cas échéant.** Cela permettra au sérum physiologique restant dans le circuit de s'écouler. Lors du retrait du cathéter, les ballonnets sont comprimés. Si le sérum physiologique à l'intérieur des ballonnets ne peut pas s'écouler librement, les ballonnets resteront gonflés et il sera difficile de retirer le cathéter.
3. Il est possible également de raccorder une seringue de 20 ou 25 ml au raccord Luer IN (entrée) du cathéter. Le cas échéant, créer et maintenir un vide pendant 15 secondes pour permettre au sérum physiologique résiduel de s'écouler des ballonnets du cathéter avant d'entreprendre le retrait du cathéter.
4. Placer le patient en position de décubitus dorsal. Retirer le pansement. Retirer les sutures du site.

AVERTISSEMENT. Ne pas mettre de bouchon sur le raccord Luer OUT (sortie).

5. Retirer lentement le cathéter du patient. Lorsque le cathéter sort du site, exercer une pression à l'aide d'un pansement imperméable à l'air, p. ex. gaze imprégnée de vaseline.

AVERTISSEMENT. Ne pas déplacer le cathéter si une résistance se fait sentir. S'assurer que les raccords Luer IN (entrée) et OUT (sortie) du circuit de refroidissement n'ont PAS de bouchon. Le cas échéant, ôter les bouchons, dégonfler les ballonnets et essayer à nouveau de retirer le cathéter. Si la résistance persiste, en déterminer la cause sous contrôle radiographique.

Informations relatives à la sécurité de l'IRM



MR Conditional

Le cathéter d'échange thermique intravasculaire Icy est classé comme présentant une contre-indication relative à l'IRM (MR Conditional). Un patient porteur de ce cathéter peut être scanné en toute sécurité dans les conditions suivantes. Le non-respect de ces conditions peut provoquer une blessure chez le patient.

Paramètre	Condition
Valeurs nominales du champ magnétique statique (T)	1,5 T et 3,0 T
Champ de gradient spatial maximal (T/m et gauss/cm)	40 T/m (4000 gauss/cm)
Type d'excitation RF	À polarisation circulaire (PC) (c.-à-d. en quadrature)

Paramètre	Condition
Informations sur la bobine RF de transmission	Aucune restriction relative à la bobine RF de transmission. Les bobines suivantes peuvent donc être utilisées : bobine RF de transmission pour imagerie du corps et toutes autres combinaisons de bobines RF (c.-à-d. bobine RF pour corps associée à toute bobine RF de réception seulement, bobine RF de transmission/réception pour tête, bobine RF de transmission/réception pour genou, etc.).
Mode de fonctionnement du système d'IRM	Mode de fonctionnement normal
Débit d'absorption spécifique (DAS) maximal rapporté au corps entier	2 W/kg (mode de fonctionnement normal)
Limites de durée de balayage	DAS maximal rapporté au corps entier de 2 W/kg pendant 60 minutes d'exposition RF continue (c.-à-d. par séquence d'impulsions ou par groupe de séquences/séries consécutives sans pauses)
Artéfact d'image IRM	La présence de cet implant produit un artéfact d'imagerie. Il convient donc de sélectionner les paramètres de séquence d'impulsions avec soin si l'implant est situé dans la zone d'intérêt.
AVERTISSEMENT	Les consoles ZOLL Coolgard et Thermogard ne sont pas compatibles avec l'IRM et, en conséquence, ne doivent pas être placées dans la salle où se trouve le système d'IRM. Le cathéter doit donc être débranché de la console avant de déplacer le patient dans la salle d'imagerie IRM.

Mode d'emploi du fil-guide

Remarque. Ces informations s'appliquent uniquement à l'utilisation des fils-guides selon la technique de cathétérisme vasculaire de Seldinger.

Avertissements

Le fil-guide fourni est conçu exclusivement pour un usage unique. Ne pas restériliser ou réutiliser. Ne pas réintroduire une fois retiré du patient.

En cas de résistance durant l'insertion ou le retrait, ne pas poursuivre le déplacement du fil-guide. Déterminer la cause sous contrôle radioscopique et prendre les mesures nécessaires.

Faire preuve de grande prudence lors de l'acheminement d'un fil-guide au travers d'une endoprothèse. L'utilisation d'un fil-guide dans des vaisseaux porteurs d'une endoprothèse crée un risque supplémentaire pour le patient.

Mises en garde

Éviter de retirer le fil-guide au travers d'aiguilles métalliques car il risquerait d'être cisailé.

En raison de la nature délicate et fragile des fils-guides, les manipuler avec un soin extrême. Éviter de les plier ou de les tordre. Ne pas utiliser de fils-guides endommagés.

Ne pas enrouler le fil-guide en un cercle d'un diamètre inférieur à 8 po (20,32 cm) à des fins d'entreposage ou d'utilisation pour éviter de le soumettre à des contraintes inutiles et de le couder. Le distributeur fourni offre la meilleure solution pour entreposer ou manipuler le fil-guide.

Une longueur de fil-guide suffisante doit rester exposée pour pouvoir le tenir fermement à tout moment.

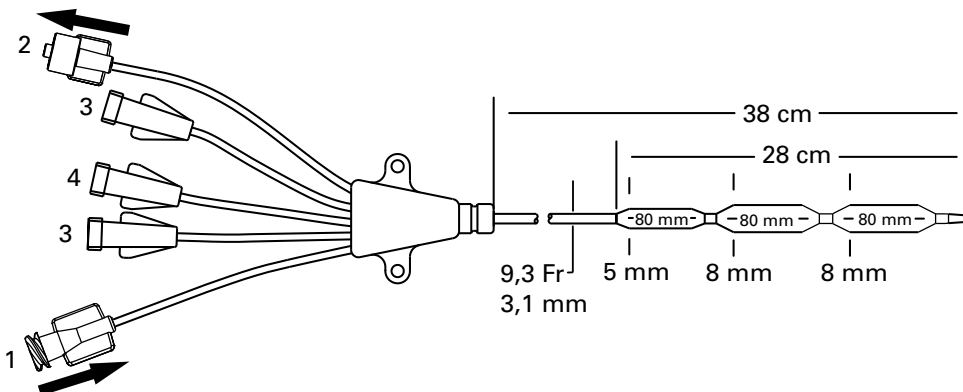
Distributeur

Chaque fil-guide est fourni enroulé dans un distributeur, à l'intérieur d'un sachet en Tyvek. Retirer le fil-guide du sachet en Tyvek. Retirer le capuchon protecteur du fil-guide immédiatement avant son utilisation. Préparer le fil-guide avant son insertion. Il est recommandé de remplir le distributeur de solutions héparinées (p. ex. sérum physiologique ou dextrose) pour rincer le fil-guide pendant son insertion.

Le fil-guide préformé courbé en « J » retrouve sa forme lorsqu'il est retiré du distributeur.

Cathéter Icy

1. Raccord Luer IN (entrée)
2. Raccord Luer OUT (sortie)
3. Ports de perfusion
4. Raccord Luer distal



©2024 ZOLL Medical Corporation. Tous droits réservés. ZOLL et Icy sont des marques commerciales ou déposées de ZOLL Medical Corporation et/ou de ZOLL Circulation, Inc. aux États-Unis et/ou dans d'autres pays. Toutes les marques sont la propriété de leurs titulaires respectifs.

Brevet : www.zoll.com/patents



1. Capuchon protecteur du fil-guide

Inspection

Inspecter le fil-guide avant de l'utiliser et le jeter s'il présente tout signe de déformation. La mise en place du fil-guide doit être surveillée systématiquement par radiographie ou radioscopie.

Technique

1. Ponctionner le vaisseau.
2. Introduire le fil-guide dans l'embase de l'aiguille et le pousser délicatement dans le vaisseau sur une longueur de 5 à 10 cm. Acheminer le fil-guide à l'endroit désiré.

Mise en garde. Veiller à ne pas manipuler le fil-guide brutalement ou trop vigoureusement pour éviter de l'endommager ou d'endommager le vaisseau.

3. Retirer l'aiguille du fil-guide.
4. Élargir le point de ponction au moyen du dilateur en exerçant un léger mouvement de rotation.
5. Retirer le dilateur (le dilateur de vaisseau est réservé à la dilatation vasculaire uniquement).
6. Introduire le cathéter en le faisant glisser sur le fil-guide.
7. Retirer le fil-guide.

Deutsch (de)

Modell IC-3893AE/8700-0782-40 & IC-3893CO/8700-0782-14

Das Kit des Icy® intravaskulären Wärmeaustauschkatheters umfasst:

Stückzahl	Beschreibung
1 AE(CO)	Icy intravaskulärer Wärmeaustauschkatheter 9,3 F x 38 cm Dreifach-Infusions-Luer-Anschluss Klemmen für Verlängerungsleitung Röntgendichter Schaft Mit Applause-Heparin beschichtet
1 AE(CO)	Führungsdraht, 0,032 Zoll (0,81 mm) x 75 cm
1 AE(CO)	Gefäßdilator 10,5 F x 0,038 Zoll (3,6 mm x 1,0 mm)
1 AE(CO)	Abnehmbare Nahtlasche und -klammer
1 AE	Röntgendichter OTN-Katheter, 18 G x 2 ½ Zoll (1,3 mm x 63 mm)
1 AE	5-ml-Spritze und Nadel, 22 G x 1 ½ Zoll (0,7 mm x 38 mm)
1 AE	Schlitztuch
1 AE	Nadel, 18 G x 2 ¾ Zoll (1,3 mm x 70 mm)
6 AE	Gazetupfer, 4 Zoll x 4 Zoll (10 cm x 10 cm)
1 AE	Nahtmaterial, Seide, Nr. 000
1 AE	Chirurgische Skalpellklinge, Nr. 11, langer Griff

Hinweis – Kit-Komponenten nach Modell

Jedes Basismodell ist entweder mit einem standardmäßigen unterstützenden Einführkit (AE) oder ohne das standardmäßige unterstützende Einführkit (CO) erhältlich. Die beiden Kits gemeinsamen Komponenten sind in der vorausgehenden Tabelle als AE(CO) ausgewiesen. Die lediglich im Standardkit enthaltenen zusätzlichen Komponenten sind als AE ausgewiesen.

Produktbeschreibung

Der Icy intravaskuläre Wärmeaustauschkatheter („Icy-Katheter“ oder „Katheter“) ist ein steriler, für den Einmalgebrauch vorgesehener, flexibler 9,3-F-Katheter, der über einen Zugang in der Vena femoralis in die Vena cava inferior eingeführt wird. Der Icy-Katheter ist für den Anschluss an ein für den Einmalgebrauch vorgesehenes ZOLL® Einweg-Start-Up Kit und die Coolgard®- oder Thermogard®-Konsolenfamilie („Konsole“) konzipiert (alle Komponenten separat erhältlich). Für die perkutane Einführung des Icy-Katheters werden ein Dilator und ein Führungsdraht benötigt. Für die Infusion und Probennahme stehen drei Luer-Anschlüsse zur Verfügung.

Infusionsport	Flussrate	Vorfüllvolumen
Distal (braun)	1700 ml/h	0,5 ml
Medial (weiß)	900 ml/h	0,4 ml
Proximal (blau)	1200 ml/h	0,4 ml

Die mit Blut in Kontakt kommenden Oberflächen des Katheters (Spitze, Ballon und Schaft), sind mit einer antithrombotischen Applause-Heparinbeschichtung versehen.

Sterilität

Mit Ethylenoxid sterilisiert. Der nur für den Einmalgebrauch vorgesehene Katheter wird steril geliefert und darf nicht erneut sterilisiert werden. Die Packung vor Gebrauch untersuchen, um sicherzustellen, dass der Sterilschutz unversehrt ist.

Lagerung

Kühl und trocken lagern. Nicht einfrieren und übermäßige Hitze vermeiden.

Verwendungszweck

Der Icy-Katheter ermöglicht in Verbindung mit dem Coolgard- oder dem Thermogard-System das Zirkulieren einer temperaturkontrollierten Kochsalzlösung durch einen Wärmetauscher. Damit lässt sich das Blut von Patienten kühlen oder wiedererwärmen, bei denen die mit einer zentralen Venenkatheterisierung verbundenen Risiken vertretbar sind. Maximale Einsatzdauer: 4 Tage.

Kontraindikationen

- Die Risiken des Katheters entsprechen im Wesentlichen denen eines zentralen Venenkatheters. Der Katheter darf nicht bei Patienten verwendet werden, für die eine zentrale Venenkatheterisierung kontraindiziert ist.
- Hämorrhagische Diathese.
- Aktive Sepsis.
- Infektion oder aktive Blutung an der Kathetereinführstelle.
- Patienten ohne Gefäßzugang oder mit einem Gefäßsystem, das die Aufnahme eines Katheters nicht zulässt, darunter Patienten mit Vena-cava-Filtern oder anderen Implantaten, die das Passieren des Katheters behindern.
- Patienten, bei denen die erforderliche Temperaturüberwachung nicht bereitgestellt werden kann.
- Hypothermie ist bei Patienten kontraindiziert, die unter hämatologischen Erkrankungen leiden, welche durch Hypothermie verschlimmert werden (z. B. jede Erkrankung, die Kryoglobulinämie hervorruft, jede Hämoglobinopathie, bei der hämolytische Anämie durch Kälte präzipitiert werden kann, u. a. Sichelzellenkrankheit oder Thalassämie).
- Nicht für den Einsatz bei Kindern oder Neugeborenen vorgesehen.

Warn- und Vorsichtshinweise, unerwünschte Reaktionen

Die Durchführung einer zentralen Venenkatheterisierung ist ausschließlich gut ausgebildetem Fachpersonal vorbehalten, das mit der Erkennung anatomischer Landmarken und der Anwendung sicherer Techniken vertraut ist. Das Personal muss auch die potenziellen Komplikationen kennen.

WARNHINWEIS

Der Katheter ist ausschließlich über einen Vena-femoralis-Zugang zu verlegen. Der Katheter darf nicht im rechten Vorhof oder rechten Ventrikel platziert werden. Eine Platzierung im rechten Vorhof oder rechten Ventrikel kann eine schwere Gesundheitsschädigung oder sogar den Tod des Patienten nach sich ziehen.

Nur für den Einmalgebrauch. Das Produkt ist ausschließlich für den Einmalgebrauch vorgesehen. Nicht erneut sterilisieren oder wiederverwenden. Nach dem Entfernen aus dem Patienten nicht erneut einführen. Den Katheter in keiner Weise modifizieren.

Zu den potenziellen Risiken der Wiederverwendung eines für den Einmalgebrauch vorgesehenen Produkts gehören insbesondere die Folgenden:

- potenziell lebensbedrohliche Infektion
- toxischer Schock aufgrund von Materialzersetzung
- erhöhtes Thromboserisiko
- verringerte Wärmeaustauschleistung
- Produktversagen

WARNHINWEIS. Der Icy-Katheter und das Start-Up Kit können eventuell mit anderen Produkten, die über Verbindungsstücke mit kleinem Durchmesser verfügen, fehlverbunden werden. Fehlverbindungen dieser Art könnten eine Gesundheitsschädigung oder sogar den Tod des Patienten nach sich ziehen.

Vorsichtshinweis. Die am Katheter und am Start-Up Kit befindlichen speziellen Luer-Anschlüsse können das Risiko von Fehlverbindungen eventuell mindern, unterliegen aber bei den folgenden spezifischen Medizinproduktanwendungen trotzdem einem Fehlverbindungsrisiko: Atemsysteme und Treibgasanwendungen, enterale und gastrische Anwendungen, urethrale und urologische Anwendungen, Anwendungen mit aufblasbaren Manschetten für Gliedmaßen, neuroaxiale Anwendungen und intravaskuläre oder hypodermische Anwendungen. Wenn Katheter und Start-Up Kits von ZOLL mit Medizinprodukten für diese oder andere Anwendungen verbunden werden, ist stets Vorsicht geboten.

Vorsichtshinweis. Sicherstellen, dass der Icy-Katheter und/oder das Start-Up Kit nicht mit einer Infusionsleitung oder anderen Medizinprodukten verbunden sind.

- Der Katheter ist so zu positionieren, dass sich seine distale Spitze in der Vena cava inferior unter deren Einmündung in den rechten Vorhof und parallel zur Gefäßwand befindet. Unter Röntgenkontrolle sicherstellen, dass der Katheter nicht im rechten Vorhof oder Ventrikel liegt.
- Vorsicht.** Wird im Kreislauf der sterilen Kochsalzlösung Blut festgestellt, das Verfahren abbrechen und eine Leckageprüfung des Katheters durchführen.
- Zu den möglichen Komplikationen in Verbindung mit zentralen Venenkathetern gehören u. a.: Vorhof- oder Ventrikelperforation, Herztamponade, Luftembolie, Katheterembolie, Lazeration des Brustlymphgangs, Bakteriämie, Septikämie, Thrombose, versehentliche Arterienpunktion, Hämatombildung, Hämorrhagie, Nervenschäden und Dysrhythmien.
- Alle Luer-Lock-Anschlüsse und -Abdeckungen müssen gut gesichert sein, um Luftembolien oder Flüssigkeits- oder Blutverlust zu vermeiden.
- Beim Bewegen des Katheters oder Führungsdrahts niemals übermäßige Kraft anwenden. Wird Widerstand festgestellt, ist die Ursache hierfür per Röntgenkontrolle zu ermitteln.
- Ein Einführen des Führungsdrahts in die rechte Herzhälfte kann Dysrhythmien, Rechtsschenkelblock oder eine Gefäßwand-, Vorhof- bzw. Ventrikelperforation nach sich ziehen.
- Für das Vorfüllen des Katheters ist ausschließlich sterile physiologische Kochsalzlösung zu verwenden. Sie ist die im Katheter zirkulierende Flüssigkeit.
- Der Katheter ist regelmäßig auf Flussrate, ordnungsgemäßen Sitz des Verbands, korrekte Katheterposition und feste Luer-Lock-Anschlüsse zu überprüfen. Ob sich die Katheterposition verändert hat, lässt sich anhand der Zentimetermarkierungen ermitteln. Ein mit mehrlumigen Ballonkathetern einhergehendes mögliches Risiko ist das Unterbleiben der Behandlung, u. a. das Ausbleiben der therapeutischen Medikamenteninfusion durch die Infusionslumina.
- Es kann nur unter Röntgenkontrolle sichergestellt werden, dass die Katheterspitze nicht in das Herz gelangt ist bzw. dass sie noch parallel zur Gefäßwand ausgerichtet ist. Hat sich die Katheterposition verändert, muss die Position der Katheterspitze unter Röntgenkontrolle bestätigt werden.
- Sollen Blutproben entnommen werden, sind die restlichen Infusionsports, durch welche Lösungen infundiert werden, vorübergehend zu schließen.
- Für die Blutprobenentnahme ausschließlich Spritzen mit einem Fassungsvermögen von maximal 30 ml verwenden.
- Alkohol und Azeton können die Struktur des Schaftmaterials angreifen. Bei der Infusion von alkoholhaltigen Medikamenten oder der Verwendung von Alkohol oder Azeton zur routinemäßigen Katheterpflege und -wartung ist daher Vorsicht geboten. Zur Beseitigung von Katheterverstopfungen darf kein Alkohol verwendet werden.
- Zur Vermeidung einer Katheterbeschädigung nur die im Kit enthaltene Nahtlasche und -klammer von ZOLL verwenden.
- Bei Verwendung einer Spritze mit einem kleineren Fassungsvermögen als 10 ml zur Spülung eines verstopften Katheters kann es zu intraluminalen Leckagen oder einer Ruptur des Katheters kommen.
- Nicht in die orangefarbenen IN-(Zufluss-) und OUT-(Abfluss-) Luer-Lock-Anschlüsse infundieren, da dies das Unterbleiben der Behandlung zur Folge hat.
- Patientenseitigem Fieber können infektiöse und/oder nicht infektiöse Ursachen zugrunde liegen. Für die Eindämmung von Fieber als Anzeichen einer möglichen Infektion ist eine tägliche, akribische Untersuchung auf andere Anzeichen einer Infektion erforderlich.
- Bei der Infusion von Medikamenten, die durch kühle Temperaturen (bis 4 °C) beeinflusst werden können, Vorsicht walten lassen. Mannitol enthaltende Lösungen sind temperaturempfindlich und dürfen nicht über den Katheter verabreicht werden, es sei denn, es wird in rascher Folge eine maximal 20%ige Mannitol-Lösung eingebracht und danach mit Kochsalzlösung gespült. Die Verabreichung von Lösungen mit Mannitol-Konzentrationen von mehr als 20 % bzw. eine Tropf- oder Infusionspumpenverabreichung von Mannitol muss über eine separate Leitung erfolgen.
- Herztamponade: Die Platzierung von Verweilkathetern im rechten Vorhof kann zu Herzperforation und -tamponade führen. Bei der Anlage von zentralen Venenkathetern muss sich der Arzt dieser potenziell lebensgefährlichen Komplikation bewusst sein, bevor er den Katheter im Verhältnis zur Patientengröße zu weit vorschiebt. Die tatsächliche Position der Spitze des Verweilkatheters muss nach dem Einführen mittels Röntgenkontrolle bestätigt werden. Zentrale Venenkatheter dürfen nur dann im rechten Vorhof platziert werden, wenn dies für Spezialverfahren erforderlich ist, die relativ kurze Zeit in Anspruch nehmen, z. B. für die Aspiration von Luftemboli bei neurochirurgischen Eingriffen. Verfahren dieser Art sind aber trotzdem mit Risiken verbunden und müssen engmaschig überwacht und kontrolliert werden.
- Der Katheter ist mit Heparin beschichtet. Dies kann eventuell zu einer Heparin-induzierten Thrombozytopenie (HIT) führen bzw. eine bereits bestehende HIT verschlimmern.
- WARNHINWEIS.** Beim Anschluss von Infusionsbestecken/ Injektionssystemen an den Katheter darf ein Druck von 100 psi/ 689 kPa nicht überschritten werden.
- Wird bei Patienten eine Hypothermie herbeigeführt, so kann die Hypothermie selbst gewisse Krankheitszustände verschlimmern. Während der Hypothermie ist die Patienten-Homöostase sorgfältig zu überwachen.
 - Herzrhythmusstörungen – sowohl Bradykardie als auch ventrikuläre Tachyarrhythmie.
 - Gerinnungs- und Koagulationsfunktion. Patienten, bei denen das Risiko einer Störung der Gerinnungs- oder Koagulationsfunktion besteht, müssen während der Hypothermie engmaschig überwacht werden.
 - Blutgas- und pH-Analyse. Eine Hypothermie beeinflusst Ruhe-pH- und -PaCO₂-Werte. Ärzte müssen sich der Auswirkung der Temperatur auf das Testergebnis bewusst sein.
 - Eine längere Hypothermie unterdrückt die Immunreaktion und Lungenfunktion.

WARNHINWEIS. Intraluminaler oder Ballon-Leckage. Eine intraluminale Leckage (zwischen dem Kochsalzlösungslumen und dem Infusionslumen) oder eine Ballonleckage ist ein potenzieller Katheterfehler. Dabei gelangt sterile Kochsalzlösung aus dem Kühlkreislauf in den Körper des Patienten. Eine intraluminale Leckage oder Ballonleckage geht normalerweise mit einem Flüssigkeitsverlustalarm einher, sobald der Kochsalzlösungsbeutel leer ist, und das System wird gestoppt. **Flüssigkeitspegel-Alarmen muss stets genau nachgegangen werden.** Der Kühlkreislauf ist ein geschlossener Regelkreis und Flüssigkeitsverlustalarme weisen normalerweise auf eine Unterbrechung des Regelkreises hin. Bei jedem Flüssigkeitsverlustalarm ist die Unversehrtheit sowohl des Katheters als auch des Start-Up Kits zu überprüfen (siehe unten).

WARNHINWEIS. Wenn ein leerer Kochsalzlösungsbeutel oder ein Luftblasenabscheider-Alarm bemerkt wird, muss zunächst die Leckagestelle identifiziert und die entsprechende Abhilfemaßnahme ergriffen werden, bevor der Kochsalzlösungsbeutel ausgetauscht wird. Das System muss gemäß den Anweisungen in den Abschnitten Leckageprüfung des Start-Up Kits und Leckageprüfung des Katheters weiter unten geprüft werden. (Beachten Sie bitte, dass eine Leckage extern oder intern sein kann).

Wenn der Kochsalzlösungsbeutel wiederholt ausgetauscht wird, ohne dass der Leckage oder dem Verlust von Kochsalzlösung auf den Grund gegangen wird, kann eine unbeabsichtigte Infusion von Kochsalzlösung in den Patienten die Folge sein. Die Infusion von Kochsalzlösung kann die folgenden unerwünschten Wirkungen haben: lokale Gewebeschäden als Folge einer örtlichen Schwellung; systemische Flüssigkeitsüberlastung, die zu einem sekundären Ödem und einem nachfolgendem Hautdefekt führen kann; Flüssigkeitsüberlastung der inneren Organe mit nachfolgender Überlastung des Gehirns, Lunge oder Herz. In manchen Fällen kann diese Flüssigkeitsüberlastung zu lebensbedrohlichen Ereignissen führen.

Vorsichtshinweis. Die Konsole gibt einen Alarm aus, wenn der Kochsalzlösungsbeutel leer ist. Der Alarm wird erst ausgelöst, wenn der Beutel komplett leer und weitere Kochsalzlösung zwischen dem Kochsalzlösungsdorn und dem Luftblasenabscheider abgelaufen ist.

Leckageprüfung des Start-Up Kits

1. Den Luftblasenabscheider auf Kondensation prüfen. Wenn der Luftblasenabscheider Anzeichen von Kondensation aufweist, den Luftblasenabscheider abwischen und wieder in die Konsole einbauen. Im Falle eines Luftblasenabscheideralarms bestätigen, dass der Luftblasenabscheideralarm nach diesem Schritt nicht mehr auftritt.
2. Den Weg der Kochsalzlösung vom Kochsalzlösungsbeutel zur Konsole sorgfältig auf undichte Stellen überprüfen. Überprüfen, ob sich Kochsalzlösung auf dem Boden, der Konsole oder auf dem Bett des Patienten befindet.
3. Wenn sich Kochsalzlösung auf dem Boden, der Konsole oder dem Bett des Patienten befindet, prüfen, ob die Luer-Anschlüsse am Katheter und am Start-Up Kit keine Risse oder Beschädigungen aufweisen und ob die Verbindungen fest genug sitzen, um Leckagen zu verhindern.
4. Wird im Start-Up Kit eine undichte Stelle gefunden, das Start-Up Kit austauschen und überprüfen, ob auch im Katheter eine undichte Stelle vorhanden ist.
5. Wenn im Start-Up Kit keine undichte Stelle zu finden ist, liegt wahrscheinlich eine Undichtigkeit im Katheter vor. Weiter untersuchen.

Leckageprüfung des Katheters

1. Das Start-Up Kit vom Katheter trennen. Katheter und Start-Up Kit unter Einhaltung aseptischer Kautelen ordnungsgemäß mit Kappen versehen.
2. Eine sterile 10-ml-Slip-Tip-Spritze mit steriler Kochsalzlösung füllen.
3. Die Spritze an den IN-(Zufluss-)Luer-Anschluss des Katheters anschließen und die Kappe vom OUT-(Abfluss-)Luer-Anschluss abnehmen. 10 ml Kochsalzlösung infundieren. Die Kochsalzlösung sollte aus dem OUT-Luer-Anschluss austreten. Wenn die Kochsalzlösung nicht aus dem OUT-Luer austritt, liegt eine Katheterleckage vor.
4. Den OUT-Luer-Anschluss mit einer Kappe versehen und ein 5-ml-Vakuum aufziehen. Das Vakuum mindestens 10 Sekunden lang aufrechterhalten. Bis zu 4 ml Kochsalzlösung (nicht Blut) sollten in die Spritze eintreten und das Vakuum sollte stabil gehalten werden können. Wenn Blutspuren in der Spritze zu sehen sind oder das Vakuum nicht aufrechterhalten werden kann, deutet dies auf eine Katheterleckage hin.
5. Wird am Katheter eine Leckage festgestellt, den Katheter ersetzen.
6. Den Kochsalzlösungsbeutel ersetzen und das Start-Up Kit erneut vorfüllen.
7. Sicherstellen, dass die Luer-Verbindungen zum Start-Up Kit leckagedicht sind, und die Behandlung fortsetzen.

Benötigte Materialien

Stückzahl	Beschreibung
1	Icy-Katheter-Kit für die perkutane Einführung
1	500-ml-Beutel sterile normale Kochsalzlösung (nicht im Lieferumfang enthalten)
	Start-Up Kit (separat erhältlich)
1	<ul style="list-style-type: none">• Standardschlauch von 183 cm (6 ft) Länge oder• Langschlauch von 274 cm (9 ft) Länge
1	Coolgard- oder Thermogard-Konsole (separat erhältlich)
1	Katheter-Arbeits erleichterungskit [nur für (CO)]
1	YSI-400-Temperatursonde (nicht im Lieferumfang enthalten)

Kathetervorbereitung und -einführung

Hinweis. Der Katheter verfügt über einen röntgendichten Markierungsstreifen, der die Identifizierung des Katheters während und nach der Einführung unter Röntgenkontrolle erleichtert. Am proximalen Ende des proximalen Ballons befindet sich ein Markierungsstreifen. Die Katheterspitze enthält Bariumsulfat und ist daher röntgendicht.

Sterile Kautelen beachten.

Vorsichtshinweis. Die IN- und OUT-Luer-Lock-Anschlüsse dieses Katheters sind Spezialanfertigungen und ausschließlich für den Anschluss an das im Abschnitt „Benötigte Materialien“ aufgeführte Start-Up Kit vorgesehen.

Vorbereitung des Katheters

1. Den Patienten in Rückenlage positionieren.
2. Die Punktionsstelle nach Bedarf vorbereiten und abdecken.
3. Den Katheter behutsam aus der Packung entnehmen, ohne die Membranabdeckung des Katheters zu entfernen.
4. Die Kappen von den mit IN und OUT gekennzeichneten Luer-Anschlüssen abnehmen. Die Spritze (mindestens 5 ml) bei angebrachter Katheterabdeckung mit steriler Kochsalzlösung füllen und an den weiblichen IN-Luer-Anschluss anschließen.
WARNHINWEIS. Niemals eine Druckinfusion in den IN-Luer-Anschluss ausführen, wenn der OUT-Luer-Anschluss mit einer Kappe verschlossen ist.
5. Behutsam Kochsalzlösung durch den Katheter injizieren, bis sie aus dem OUT-Luer-Anschluss auszutreten beginnt.
6. Unter Verwendung einer Spritze mit einem Fassungsvermögen von mindestens 5 ml den distalen, proximalen und medialen Infusions-Luer-Anschluss mit steriler Kochsalzlösung spülen. Injektionskappen am proximalen und medialen Infusions-Luer-Anschluss festklemmen oder anbringen. Den distalen Luer-Anschluss ohne Kappe belassen, um das Passieren des Führungsdrahts zu ermöglichen.
Vorsichtshinweis. Vor dem Einführen des Katheters in den Patienten stets die Infusions-Luer-Anschlüsse des Katheters vorfüllen.
7. Die Membranabdeckung des Katheters entfernen. Ist beim Entfernen der Membranabdeckung vom Katheter Widerstand spürbar, die Membranabdeckung mit steriler Kochsalzlösung spülen. Den Katheter untersuchen, um sicherzustellen, dass die Wärmeaustauschmembran entlüftet wurde. Den Katheter auf Leckagen untersuchen.

Vorsichtshinweis. Den beschichteten Katheter nicht zu viel abwischen. Den Katheter nicht mit trockener Gaze abwischen, weil dies die Katheterbeschichtung beschädigen könnte. Den Katheter nicht mit Alkohol, antiseptischen Lösungen oder anderen Lösemitteln vorbehandeln, da dies unvorhersehbare Veränderungen der Beschichtung bewirken und damit die Sicherheit und Leistung des Produkts beeinträchtigen könnte.

WARNHINWEIS. Den Katheter nicht auf eine andere Länge zuschneiden.

Einführen des Katheters

WARNHINWEIS. Ausschließlich mit Vena-femoralis-Zugang arbeiten.

1. Mit standardmäßiger perkutaner Technik einen Vena-femoralis-Zugang anlegen. Den Zugang mithilfe eines 0,032-Zoll-Führungsdrahts (0,81 mm) aufrechterhalten. Siehe die Führungsdraht-Gebrauchsanweisung.
WARNHINWEIS. Nicht versuchen, eine aus ihrem Katheter teilweise oder komplett herausgezogene OTN-Einführnadel (OTN = Over the needle) erneut einzuführen.
Vorsichtshinweis. Mit dem Katheter nur einen Führungsdraht von maximal 0,032 Zoll (0,81 mm) verwenden.
2. Den Führungsdraht stabil halten und den Einführkatheter entfernen.
Vorsichtshinweis. Der Führungsdraht muss stets gut festgehalten werden.

3. Die Hautpunktionsstelle mit dem Skalpell vergrößern. Dabei muss die Schneidkante des Skalpells vom Führungsdraht abgewandt sein. **WARNHINWEIS.** Den Führungsdraht nicht durchtrennen. Den Situs erforderlichenfalls mit einem Gefäßdilator vergrößern. Zur Verringerung des Risikos einer möglichen Gefäßwandperforation den Gefäßdilator nicht als Verweilkatheter an Ort und Stelle belassen.
4. Die Spitze des Katheters über den Führungsdraht schieben. Den Führungsdraht während der Kathetereinführung gut festhalten. Die Katheterspitze in Hautnähe fassen und den Katheter in die Vene vorschieben. Den Katheter weiter über den Führungsdraht vorschieben und dabei die Finger unmittelbar proximal des Ballons platzieren.
5. Die Zentimetermarkierungen am Katheter als Bezugspunkte für die Positionierung verwenden und den Katheter mindestens zur kleinsten Markierungsnummer vorschieben, um sicherzustellen, dass sich der proximale Infusionsport im Gefäß befindet.
6. Den Katheter nach Erreichen der gewünschten Tiefe stabil halten und den Führungsdraht entfernen. Wird bei dem Versuch, den Führungsdraht nach der Katheterplatzierung zu entfernen, Widerstand festgestellt, ist der Führungsdraht möglicherweise an der Katheterspitze geknickt. Bei Widerstand den Katheter im Verhältnis zum Führungsdraht um ca. 2–3 cm zurückziehen und dann versuchen, den Führungsdraht zu entfernen. Ist erneut Widerstand spürbar, Führungsdraht und Katheter gleichzeitig entfernen. **Vorsichtshinweis.** Keine übermäßige Kraft auf den Führungsdraht ausüben.
7. Nach dem Entfernen bestätigen, dass der Führungsdraht unversehrt ist.
8. Die Katheterplatzierung überprüfen. Dazu eine Spritze am distalen Infusions-Luer-Anschluss anbringen und aspirieren, bis ungehindert venöses Blut fließt. Je nach Bedarf den Infusions-Luer-Anschluss mit der entsprechenden Luer-Lock-Leitung verbinden. Der unbenutzte Infusionsport kann gemäß den standardmäßigen Krankenhausverfahren mit einer Injektionskappe „verschlossen“ werden. Der Schlauch ist mit einer Gleitklemme versehen, die bei Leitungs- und Injektionskappenwechsel den Fluss durch den Infusions-Luer-Anschluss unterbindet. **Vorsichtshinweis.** Um das Risiko einer Schlauchbeschädigung durch übermäßigen Druck auf ein Minimum zu reduzieren, muss die Klemme vor dem Infundieren durch den Luer-Anschluss geöffnet werden. **Vorsichtshinweis.** Die IN- oder OUT-Leitung nicht abklemmen oder verschließen. Andernfalls kann es zu Leitungsblockierungen und möglichem Versagen kommen.
9. Die Einführstelle und den Katheter vorübergehend stabilisieren und mit Verbandmaterial versehen.
10. Die Position der Katheterspitze unmittelbar nach der Platzierung mittels Thoraxröntgenaufnahmen überprüfen. Die Röntgenuntersuchung muss ergeben, dass sich der Katheter in der Vena cava inferior befindet und sein distales Ende parallel zur Wand der Vena cava ausgerichtet ist. Ist die Katheterspitze nicht richtig positioniert, muss ihre Lage verändert und erneut überprüft werden.
11. Die proximale röntgendichte Markierung weist auf das proximale Ende des Ballons hin. Sicherstellen, dass sich der Ballon vollständig im Gefäß befindet. Ist der Katheter nicht richtig positioniert, muss seine Lage verändert und erneut überprüft werden.
12. Den Katheter am Patienten befestigen. Die seitlichen Flügel der Nahtlasche als primäre Nahtstelle verwenden, um das Risiko einer Kathetermigration auf ein Minimum zu reduzieren.
13. Die Nahtlasche und -klammer von ZOLL kann ebenfalls als zusätzlicher Befestigungspunkt verwendet werden. Sicherstellen, dass der Katheterkörper stabil und fixiert ist. **Vorsichtshinweis.** Nur die im Kit bereitgestellte Nahtlasche und -klammer von ZOLL verwenden. Werden andere Laschen oder Klammern verwendet, kann dies Katheterschäden zur Folge haben. **Vorsichtshinweis.** Um das Risiko einer Punktion oder Beschädigung des Katheters oder einer Behinderung des Katheterdurchflusses auf ein Minimum zu reduzieren, die Naht nicht direkt an der Außenwand des Katheters anlegen.
14. Die Punktionsstelle gemäß Krankenhausvorschrift verbinden. Den Verband der Einführstelle regelmäßig und mit großer Sorgfalt unter Einhaltung aseptischer Kautelen erneuern.
15. Die Länge des Verweilkatheters in der Patientenakte notieren. Dazu die Zentimetermarkierungen am Katheterschaft als Anhaltspunkte verwenden. Durch häufige Sichtprüfung ist sicherzustellen, dass sich der Katheter nicht bewegt hat.
16. Ein vorgefülltes Start-Up Kit an den Katheter anschließen: Den männlichen Luer-Anschluss des Start-Up Kits mit dem weiblichen (mit „IN“ gekennzeichneten) Luer-Anschluss des Katheters verbinden. Den weiblichen Luer-Anschluss des Start-Up Kits mit dem männlichen (mit „OUT“ gekennzeichneten) Luer-Anschluss des Katheters verbinden. An den IN- und OUT-Verlängerungsschläuchen sind zur Kennzeichnung weiße „ZOLL“-Etiketten lose angebracht. **Hinweis.** Die IN- und OUT-Luer-Anschlüsse des Start-Up Kits sind ausschließlich für den Anschluss an die mit IN und OUT gekennzeichneten Luer-Anschlüsse des Katheters vorgesehen. Sie dürfen nicht an die standardmäßigen Luer-Lock-Spritzen angeschlossen werden. Sie besitzen spezielle ZOLL-Verbindungselemente und sind zur leichteren Erkennbarkeit orangefarben.
17. Es ist dafür zu sorgen, dass sich an den Enden der Luer-Anschlüsse eine ausreichende Menge steriler Kochsalzlösung befindet, um eine luftfreie Verbindung zu gewährleisten. Siehe die Bedienungsanleitung. **WARNHINWEIS.** Wird das Start-Up Kit nicht ordnungsgemäß an den Katheter angeschlossen, könnte dies ein Katheterversagen zur Folge haben. Die Luer-Anschlüsse des Start-Up Kits (orange) nicht mit den blauen, weißen oder braunen Luer-Anschlüssen verbinden. **Vorsichtshinweis.** Das Start-Up Kit nicht am distalen Port anschließen. **Vorsichtshinweis.** In die Leitung keine Sperrhähne integrieren, die versehentlich geschlossen werden könnten. Andernfalls kann es zu Leitungsblockierungen und möglichem Versagen kommen.
18. Kochsalzlösung durch das Start-Up Kit und den Katheter pumpen, um sicherzustellen, dass alle Verbindungen fest sitzen und keine Leckagen vorliegen. Das System gemäß Beschreibung in der Bedienungsanleitung entlüften, damit die restliche Luft entweichen kann.

Katheter von der Konsole trennen

1. Die Zirkulation der Kochsalzlösung durch den Katheter stoppen.
2. Das Start-Up Kit vom Katheter trennen.
3. Um die Verbindungen steril zu halten, die Luer-Konnektoren von sowohl Katheter als auch Start-Up Kit unverzüglich mit sterilen Luer-Kappen versehen oder die IN- und OUT-Luer-Anschlüsse miteinander verbinden.

Katheter wieder an der Konsole anschließen

1. Die Luer-Kappen von den Luer-Konnektoren des Katheters und des Start-Up Kits abnehmen. Die Luer-Kappen entsorgen oder die IN- und OUT-Luer-Anschlüsse voneinander trennen.
2. Das Start-Up Kit an den Katheter anschließen. Den männlichen Luer-Anschluss des Start-Up Kits mit dem weiblichen IN-Luer-Anschluss des Katheters verbinden. Den weiblichen Luer-Anschluss des Start-Up Kits mit dem männlichen OUT-Luer-Anschluss des Katheters verbinden. Das Start-Up Kit und die IN- und OUT-Luer-Anschlüsse des Katheters sind orangefarben. Es ist dafür zu sorgen, dass sich an den Enden der Luer-Anschlüsse eine ausreichende Menge steriler Kochsalzlösung befindet, um eine luftfreie Verbindung zu gewährleisten. **WARNHINWEIS.** Wird das Start-Up Kit nicht ordnungsgemäß an den Katheter angeschlossen, könnte dies ein Katheterversagen zur Folge haben. **WARNHINWEIS.** Die mit IN und OUT gekennzeichneten Luer-Anschlüsse nicht als Standard-Infusionsports des zentralen Venenkatheters verwenden. Sie dienen ausschließlich zum Anschließen an der Coolgard-/Thermogard-Konsole. Die IN- und OUT-Luer-Anschlüsse des Start-Up Kits sind ausschließlich für den Anschluss an die mit IN und OUT gekennzeichneten Luer-Anschlüsse des Katheters vorgesehen. Sie besitzen spezielle ZOLL-Verbindungselemente und sind zur leichteren Erkennbarkeit orangefarben. **Vorsichtshinweis.** In die Leitung keine zusätzlichen Sperrhähne integrieren, die versehentlich geschlossen werden könnten. Andernfalls kann es zu Leitungsblockierungen und möglichem Versagen kommen.

Entfernen des Katheters

- Keine Kochsalzlösung mehr durch den Katheter pumpen.
- Das Start-Up Kit vom Katheter trennen. **Die Kappen der IN- und OUT-Luer-Anschlüsse des Katheters abnehmen bzw. nicht anbringen.** Auf diese Weise können alle noch im Kreislauf befindlichen Kochsalzlösungsreste herausgepresst werden. Beim Zurückziehen des Katheters werden die Ballons komprimiert. Die in den Ballons befindliche Kochsalzlösung muss aus dem Ballon austreten können, weil sich der Ballon andernfalls nicht entleert, was das Entfernen des Katheters erschwert.
- Optional eine 20-ml- oder 25-ml-Spritze am mit IN gekennzeichneten Luer-Anschluss des Katheters anbringen. Ein Vakuum ziehen und 15 Sekunden aufrechterhalten, sodass Kochsalzlösungsreste aus dem Ballonabschnitt des Katheters abgezogen werden, bevor mit dem Entfernen des Katheters begonnen wird.
- Den Patienten in Rückenlage positionieren. Den Verband abnehmen. Das Nahtmaterial von der Nahtstelle entfernen.
WARNHINWEIS. Den OUT-Luer-Anschluss nicht mit einer Kappe verschließen.
- Den Katheter langsam aus dem Körper des Patienten entfernen. Beim Austreten des Katheters aus der Zugangsstelle mit luftdichtem Verbandmaterial (z. B. mit Vaseline versehene Gaze) Druck ausüben.
WARNHINWEIS. Den Katheter nicht bewegen, wenn Widerstand spürbar ist. Sicherstellen, dass die IN- und OUT-Luer-Anschlüsse des Kühlkreislaufs NICHT mit Kappen verschlossen sind. Sind sie mit Kappen verschlossen, diese abnehmen, den Ballon entleeren und noch einmal versuchen, den Katheter zu entfernen. Wird weiterhin Widerstand festgestellt, ist die Ursache hierfür per Röntgenkontrolle zu ermitteln.

Parameter	Bedingung
MRT-Bildartefakt	Das Vorhandensein dieses Implantats erzeugt ein Bildgebungsartefakt. Daher müssen die Pulssequenzparameter mit Bedacht ausgewählt werden, wenn das Implantat im interessierenden Bereich positioniert ist.
WARNHINWEIS	Die Coolgard- und Thermogard-Konsolen von ZOLL sind „MR Unsafe“ (nicht MRT-sicher) und dürfen daher nicht in den Raum mit dem MRT-System mitgenommen werden. Deshalb muss der Katheter von der Konsole getrennt werden, bevor der Patient in den Raum mit dem MRT-System gebracht wird.

Informationen zur Sicherheit von MRT-Untersuchungen



MR Conditional
(bedingt MRT-sicher)

Der Icy intravaskuläre Wärmeaustauschkatheter ist „MR Conditional“, d. h. bedingt MRT-sicher. Ein Patient mit diesem Katheter kann unter folgenden Bedingungen gefahrlos gescannt werden. Die Nichteinhaltung dieser Bedingungen kann Schädigungen des Patienten zur Folge haben.

Parameter	Bedingung
Nennwerte des statischen Magnetfelds (T)	1,5 T und 3,0 T
Maximales räumliches Gradientenfeld (T/m und Gauß/cm)	40 T/m (4.000 Gauß/cm)
Art der HF-Erregung	Zirkular polarisiert (CP) (d. h. quadraturverstärkt)
Informationen zur HF-Sendespule	Es gibt keine Beschränkungen in Bezug auf HF-Sendespulen. Dementsprechend können folgende Spulen verwendet werden: HF-Körperspule für den Sendebetrieb und alle anderen HF-Spulenkombinationen (d. h. HF-Körperspule in Kombination mit einer beliebigen HF-Spule nur für den Empfangsbetrieb, HF-Kopfspule für den Sende-/Empfangsbetrieb, HF-Kniespule für den Sende-/Empfangsbetrieb usw.)
Betriebsmodus des MRT-Systems	Normalbetriebsmodus
Maximale ganzkörpergemittelte SAR	2 W/kg (Normalbetriebsmodus)
Scan-Dauer-Grenzen	Ganzkörpergemittelte SAR von 2 W/kg bei einem Scan mit einer unterbrechungsfreien HF-Exposition von 60 Minuten (d. h. pro Pulssequenz oder aufeinanderfolgende Sequenzen/Serien ohne Unterbrechungen)

Führungsdraht-Gebrauchsanweisung

Hinweis. Die nachstehenden Informationen gelten ausschließlich für Führungsdrähte, die mit der Seldinger-Katheterisierungstechnik im Gefäßsystem verwendet werden.

Warnhinweise

Der im Lieferumfang enthaltene Führungsdraht ist ausschließlich für den Einmalgebrauch bestimmt. Nicht erneut sterilisieren oder wiederverwenden. Nach dem Entfernen aus dem Patienten nicht erneut einführen.

Sollte beim Einführen oder Herausziehen Widerstand spürbar sein, den Führungsdraht nicht weiter bewegen. Die Ursache unter Durchleuchtungskontrolle ermitteln und entsprechende Maßnahmen ergreifen.

Beim Bewegen eines Führungsdrahts durch einen Stent ist äußerste Vorsicht geboten. Die Verwendung eines Führungsdrahts in gestenteten Gefäßen stellt ein zusätzliches Risiko für den Patienten dar.

Vorsichtshinweise

Den Führungsdraht nach Möglichkeit nicht durch Metallnadeln zurückziehen; es könnte zu Abscherungen am Führungsdraht kommen.

Aufgrund der Empfindlichkeit und Fragilität von Führungsdrähten muss bei ihrer Handhabung besonders vorsichtig vorgegangen werden. Nicht biegen oder knicken. Keine beschädigten Führungsdrähte verwenden.

Wird der Führungsdraht zu Lagerungs- oder Verfahrenszwecken aufgewickelt, darf der Durchmesser der Schlaufen nicht weniger als 8 Zoll (20,32 cm) betragen, weil der Führungsdraht andernfalls unnötig belastet wird und geknickt werden kann. Der im Lieferumfang enthaltene Spender ist die optimale Vorrichtung für die Lagerung und Handhabung des Führungsdrahts.

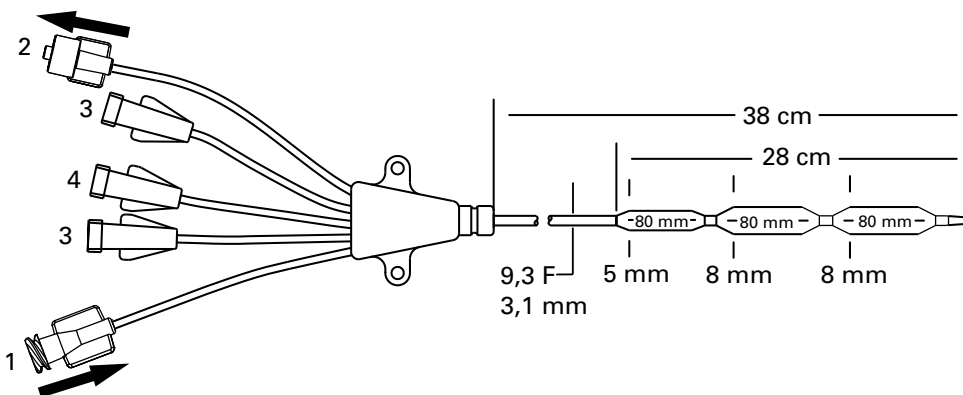
Es muss ein ausreichender Teil des Führungsdrahts exponiert bleiben, sodass dieser stets gut und sicher festgehalten werden kann.

Spender

Jeder Führungsdraht wird in einem Tyvek-Beutel in einer Spenderpackung bereitgestellt. Den Führungsdraht aus dem Tyvek-Beutel entnehmen. Die Schutzkappe des Führungsdrahts erst unmittelbar vor dessen Gebrauch abnehmen. Den Führungsdraht vor dem Einführen vorbereiten. Es wird angeraten, den Spender mit heparinisierten Lösungen zu füllen (bspw. Kochsalzlösung oder Dextrose), damit der Führungsdraht während des Einführens von Flüssigkeit umgeben ist.

Icy-Katheter

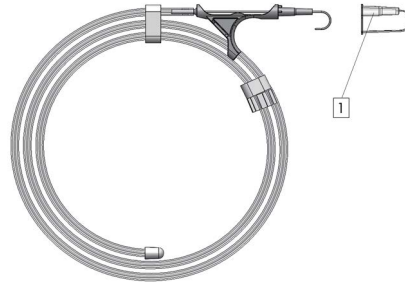
1. IN-Luer-Anschluss
2. OUT-Luer-Anschluss
3. Infusionsports
4. Distaler Luer-Anschluss



©2024 ZOLL Medical Corporation. Alle Rechte vorbehalten. ZOLL und Icy sind Marken oder eingetragene Marken von ZOLL Medical Corporation und/oder ZOLL Circulation, Inc. in den USA und/oder anderen Ländern. Alle Marken sind Eigentum ihrer jeweiligen Inhaber.

Patent: www.zoll.com/patents

Der „J“-förmig vorgeformte Führungsdraht nimmt nach der Entnahme aus der Spenderpackung seine Form wieder an.



1. Führungsdraht-Schutzkappe

Inspektion

Den Führungsdraht vor Gebrauch inspizieren und entsorgen, sollte er irgendwelche Verformungen aufweisen. Die Führungsdrahtplatzierung ist grundsätzlich per Röntgen- oder Durchleuchtungskontrolle zu überwachen.

Technik

1. Das Gefäß punktieren.
2. Den Führungsdraht in das Nadel-Ansatzstück einführen und behutsam 5–10 cm des Führungsdrahts in das punktierte Gefäß vorschieben. Den Führungsdraht zur gewünschten Stelle steuern.
Vorsichtshinweis. Beim Manipulieren des Führungsdrahts rohen oder übermäßigen Kraftaufwand vermeiden, damit Draht oder Gefäß nicht beschädigt werden.
3. Die Nadel vom Führungsdraht abnehmen.
4. Das Gewebe und das Gefäß durch leichte Drehbewegung mit dem Dilatator dilatieren.
5. Den Dilatator entfernen (der Gefäßdilatator ist ausschließlich für die Gefäßdilatation vorgesehen).
6. Den Katheter durch Schieben über den Führungsdraht einführen.
7. Den Führungsdraht entfernen.

Español (es)

Modelos IC-3893AE/8700-0782-40 e IC-3893CO/8700-0782-14

El kit del catéter intravascular de intercambio térmico Icy[®] incluye:

Cantidad	Descripción
1 AE(CO)	Catéter intravascular de intercambio térmico Icy 9,3 Fr x 38 cm Conexión luer triple de infusión Abrazaderas para el tubo de extensión Cuerpo radiopaco Recubrimiento de heparina Applause
1 AE(CO)	Guía de 0,81 mm (0,032 in) x 75 cm
1 AE(CO)	Dilatador vascular 3,6 x 1 mm (10,5 Fr x 0,038 in)
1 AE(CO)	Lengüeta y clip de sutura separables
1 AE	Catéter OTN (sobre aguja) radiopaco de 1,3 x 63 mm (calibre 18 x 2½ in)
1 AE	Jeringa de 5 ml y aguja de 0,7 x 38 mm (calibre 22 x 1½ in)
1 AE	Sábana quirúrgica fenestrada
1 AE	Aguja de 1,3 x 70 mm (calibre 18 x 2¾ in)
6 AE	Esponjas de gasa de 10 x 10 cm (4 x 4 in)
1 AE	Sutura de seda 000
1 AE	Cuchilla quirúrgica con mango largo n.º 11

Nota: Componentes del kit según modelo

Los modelos básicos están disponibles bien con un kit de inserción de apoyo estándar (AE) o sin dicho kit (CO). Los componentes comunes a ambos kits aparecen identificados como «AE(CO)» en la tabla anterior. Los componentes adicionales que solo se incluyen en el kit estándar aparecen identificados como «AE».

Descripción del dispositivo

El catéter intravascular de intercambio térmico Icy (en lo sucesivo, «catéter Icy» o «catéter») es un catéter de 9,3 Fr flexible, estéril y de un solo uso diseñado para su colocación en la vena cava inferior con inserción a través de la vena femoral. El catéter Icy catéter se ha diseñado para su conexión a un kit de inicio desechable de un solo uso ZOLL[®] y a la familia de consolas Coolgard[®] o Thermogard[®] (en lo sucesivo, «consola») (todas ellas se suministran por separado). Se necesita un dilatador y una guía para la inserción percutánea del catéter Icy. El catéter tiene tres puertos luer para fines de infusión y toma de muestras.

Puerto de infusión	Caudal	Volumen de cebado
Distal (marrón)	1700 ml/h	0,5 ml
Interno (blanco)	900 ml/h	0,4 ml
Proximal (azul)	1200 ml/h	0,4 ml

Las superficies del catéter que entran en contacto con la sangre (punta, globo, cuerpo) están tratadas con un recubrimiento antitrombótico de heparina Applause.

Esterilidad

El dispositivo ha sido esterilizado con óxido de etileno. El catéter se suministra estéril y está destinado a un solo uso, por lo que no se debe reesterilizar. Es necesario inspeccionar el envase antes de su uso para asegurarse de que no se haya dañado la barrera estéril.

Almacenamiento

Guardar en un lugar fresco y seco. Evitar la congelación del dispositivo y el calor excesivo.

Uso previsto

El catéter Icy, utilizado junto con el sistema Coolgard o Thermogard, permite la circulación de solución salina a temperatura controlada a través de un intercambiador térmico con el fin de enfriar o recalentar la sangre de pacientes cuando el riesgo que conlleva el uso de una vía central así lo aconseje. Período máximo de utilización: 4 días.

Contraindicaciones

- Los riesgos que conlleva el uso del catéter son básicamente los mismos que existen al usar una vía central. El catéter no debe utilizarse en pacientes en los que se desaconseja la colocación de una vía central.
- Diátesis hemorrágica.
- Septicemia activa.
- Infección o hemorragia activa en el lugar de inserción del catéter.
- Pacientes sin acceso vascular adecuado o cuyo sistema vascular no permita el acceso con un catéter, como es el caso de los pacientes que tienen filtros en la vena cava u otros implantes que impiden el paso del catéter.
- Pacientes en quienes no pueda establecerse el control de temperatura necesario.
- La hipotermia está contraindicada en pacientes con enfermedades hematológicas que podrían empeorar como consecuencia de una hipotermia (p. ej., cualquier enfermedad que produzca crioglobulinemia o cualquier hemoglobinopatía que pueda precipitar anemia hemolítica por el frío, incluidas la anemia de células falciformes o la talasemia).
- Este dispositivo no está indicado para su uso pediátrico o neonatal.

Advertencias, precauciones y reacciones adversas

El cateterismo venoso central solo debe realizarlo personal debidamente capacitado con perfecto conocimiento de las referencias anatómicas y experiencia en el uso de técnicas seguras. A su vez, el profesional debe conocer las posibles complicaciones.

ADVERTENCIA

El catéter debe colocarse únicamente mediante abordaje por la vena femoral. No deje el catéter colocado en la aurícula derecha ni en el ventrículo derecho. Su colocación en la aurícula derecha o en el ventrículo derecho puede provocar lesiones graves o la muerte del paciente.

Para un solo uso. El producto está diseñado exclusivamente para un solo uso. No se debe reesterilizar ni reutilizar. No vuelva a insertar el dispositivo una vez retirado del paciente. No debe modificar el catéter de ningún modo.

Entre los posibles riesgos de la reutilización de dispositivos de un solo uso se encuentran los siguientes:

- Infección potencialmente mortal
- Choque tóxico debido a la degradación de los materiales
- Aumento del riesgo de trombosis
- Disminución de la capacidad de intercambio térmico
- Fallos del dispositivo

ADVERTENCIA. El catéter Icy y el kit de inicio podrían conectarse incorrectamente con otros dispositivos que tengan conectores de pequeño calibre. Estos errores de conexión podrían producir lesiones o la muerte del paciente.

Precaución. Las conexiones luer personalizadas del catéter y el kit de inicio pueden reducir el riesgo de conexiones erróneas, pero estas no se pueden descartar con las aplicaciones concretas siguientes de los dispositivos médicos: aplicaciones de sistemas de respiración y conducción de gases, aplicaciones enterales y gástricas, aplicaciones uretrales y urinarias, aplicaciones de inflado del manguito para extremidades, aplicaciones neuroaxiales y aplicaciones intravasculares o hipodérmicas. Extreme siempre la precaución al conectar catéteres y kits de inicio de ZOLL a estas y otras aplicaciones de dispositivos médicos.

Precaución. Asegúrese de que el catéter Icy o el kit de inicio no estén conectados a un gotero intravenoso u otro dispositivo médico.

1. El catéter debe colocarse de manera que su extremo distal se sitúe en la vena cava inferior, por debajo de la confluencia de esta en la aurícula derecha y paralelo a la pared vascular. Debe realizarse una radiografía para asegurarse de que el catéter no se encuentre en la aurícula derecha ni en el ventrículo derecho.
 2. **Precaución.** Si se observa sangre dentro del circuito por donde fluye la solución salina, detenga el procedimiento y compruebe si hay una fuga en el catéter.
 3. Entre las posibles complicaciones del uso de catéteres venosos centrales destacan: perforación auricular o ventricular, taponamiento cardíaco, embolia gaseosa, embolia del catéter, laceración del conducto torácico, bacteremia, septicemia, trombosis, punción arterial accidental, formación de hematomas, hemorragia, daño nervioso o arritmias.
 4. Es necesario tapar bien todas las conexiones y tapones luer roscados para prevenir la embolia gaseosa o la pérdida de sangre o líquidos.
 5. No se debe aplicar una fuerza excesiva para mover el catéter o la guía. Si nota resistencia, realice una radiografía para identificar el motivo de la resistencia.
 6. El paso de la guía hacia las cavidades derechas del corazón puede provocar arritmias, bloqueo de la rama derecha o perforación vascular, auricular o ventricular.
 7. Utilice únicamente solución salina normal estéril para cebar el catéter. Es el líquido circulante en el catéter.
 8. Debe inspeccionarse regularmente el caudal, la seguridad del apósito, la posición correcta del catéter y la seguridad de la conexión luer roscada. Use las marcas de centímetro para detectar si ha cambiado la posición del catéter. Un riesgo potencial asociado al uso de catéteres con globo de varias luces es la ausencia de efecto terapéutico, por ejemplo, la infusión del medicamento a través de luces que no sirven para la infusión.
 9. Solo una radiografía permite verificar que el extremo del catéter no haya entrado en el corazón o haya dejado de estar paralelo a la pared vascular. Si la posición del catéter ha cambiado, realice un examen mediante radiografía para confirmar la posición del extremo del catéter.
 10. Para la extracción de muestras de sangre, cierre temporalmente los demás puertos de infusión a través de los que se estén infundiendo soluciones.
 11. Utilice únicamente jeringas de 30 ml o más pequeñas para la extracción de muestras.
 12. El alcohol y la acetona pueden debilitar la estructura del material del cuerpo del catéter. Por ello, es preciso tener cuidado al infundir medicamentos que contengan alcohol o cuando se emplee alcohol o acetona para el mantenimiento y cuidado rutinario del dispositivo. No se debe utilizar alcohol para eliminar los restos de coagulación en el catéter.
 13. Utilice únicamente la lengüeta y el clip de sutura ZOLL suministrados en el kit para evitar dañar el catéter.
 14. El uso de jeringas de menos de 10 ml para irrigar o eliminar restos de coagulación de un catéter ocluido puede causar una fuga intraluminal o la rotura del catéter.
 15. No realice infusiones en las conexiones luer roscadas de color naranja marcadas «IN» (entrada) y «OUT» (salida), ya que al hacerlo no se administrará el tratamiento.
 16. La fiebre puede deberse a causas infecciosas o no infecciosas. La mitigación de la fiebre como signo de una posible infección requiere una evaluación diaria y meticulosa que permita detectar otros posibles signos de infección.
 17. Tenga cuidado al infundir medicamentos que puedan verse afectados por las temperaturas bajas (de hasta 4 °C). Las soluciones que contienen manitol son sensibles a la temperatura y no deben administrarse a través del catéter, salvo las infusiones rápidas de una solución con una concentración máxima de manitol del 20 % seguidas de una solución salina de lavado. La administración de soluciones con una concentración de manitol superior al 20 % mediante gotero o bomba de infusión de manitol deben realizarse a través de una vía separada.
 18. Taponamiento cardíaco: la colocación de catéteres permanentes en la aurícula derecha es un procedimiento que puede dar lugar a una perforación o un taponamiento cardíaco. Los médicos que coloquen catéteres venosos centrales deben ser conscientes de esta complicación potencialmente mortal y tener en cuenta la complejidad del paciente antes de insertar el catéter demasiado lejos. Es necesario realizar una radiografía después de la inserción para confirmar la posición real del extremo del catéter permanente. No deben colocarse catéteres venosos centrales en la aurícula derecha a menos que sea específicamente necesario en intervenciones de duración relativamente corta, como por ejemplo la aspiración de émbolos de gas en intervenciones de neurocirugía. No obstante, estas intervenciones conllevan riesgos y, por lo tanto, deben realizarse bajo estricto control y supervisión.
 19. El catéter está recubierto de heparina. Esto puede provocar una trombocitopenia inducida por heparina (TIH) o empeorar una preexistente.
 20. **ADVERTENCIA.** Al conectar juegos de infusión o sistemas de inyección al catéter, no se debe superar una presión de 100 psi/689 kPa.
 21. En los pacientes a los que se aplique hipotermia, esta condición en sí misma puede exacerbar algunas enfermedades. Se debe tener cuidado y vigilar adecuadamente la homeostasis del paciente durante la hipotermia.
 - Alteraciones del ritmo cardíaco, tanto bradicardia como taquiarritmia ventricular.
 - Coagulación y función plaquetaria. Los pacientes con riesgo de alteraciones de la coagulación o la función plaquetaria deben ser vigilados de cerca durante la hipotermia.
 - Gasometría y análisis del pH. La hipotermia modifica el pH y la PaCO₂ en reposo. Los médicos deben ser conscientes del efecto que tiene la temperatura sobre el resultado.
 - La hipotermia prolongada deprime la respuesta inmunitaria y la función pulmonar.
- ADVERTENCIA. Fuga intraluminal o por el globo.** La fuga intraluminal (entre la luz de la solución salina y las luces de infusión) o la fuga por el globo constituyen un mecanismo potencial de fallo del catéter. De producirse este tipo de fallo, se introducirá solución salina estéril del circuito de enfriamiento en el paciente. La fuga intraluminal o la fuga por el globo suelen asociarse a una alarma de pérdida de líquido una vez que se ha vaciado la bolsa de solución salina y se ha detenido el sistema. **Investigue siempre todas las alarmas de nivel de líquidos.** El circuito de enfriamiento es un sistema de bucle cerrado; normalmente, las alarmas por pérdida de líquidos indican una fuga en alguna parte de este circuito cerrado. Ante cualquier alarma por pérdida de líquidos, hay que comprobar tanto la integridad del catéter como del kit de inicio (véase más adelante).
- ADVERTENCIA.** Si advierte que la bolsa de solución salina está vacía o que hay una alarma de trampa de aire, no reemplace la bolsa de solución salina sin antes haber identificado la ubicación de la fuga y tomado las medidas de mitigación pertinentes. Compruebe si el sistema presenta fugas de acuerdo con las instrucciones que figuran en las secciones Comprobar si hay una fuga en el kit de inicio y Comprobar si hay una fuga en el catéter. (Recuerde que la fuga puede ser externa o interna).
- Reemplazar la bolsa de solución salina repetidas veces sin investigar la fuga o la pérdida de solución salina puede ocasionar una infusión involuntaria de solución salina en el paciente. La infusión de solución salina podría provocar los efectos adversos siguientes: hinchazón local con el consiguiente daño tisular local; sobrecarga sistémica de líquidos que podrían originar un edema en las zonas en declive con la consiguiente solución de continuidad de la piel; sobrecarga de líquidos en órganos internos, con la sobrecarga subsiguiente del cerebro, pulmones o corazón. En algunos casos, esta sobrecarga de líquidos puede dar lugar a episodios que ponen en peligro la vida.
- Precaución.** La consola emite una alarma cuando la bolsa de solución salina está vacía. La bolsa debe haberse vaciado por completo y la solución salina adicional debe haber drenado entre la espiga de la solución salina y la trampa de aire para que el nivel de solución salina en la trampa de aire descienda lo suficiente como para activar la alarma.

Comprobar si hay una fuga en el kit de inicio

1. Compruebe si hay condensación en la trampa de aire. Si la trampa de aire muestra signos de condensación, límpiela y vuelva a colocarla en la consola. En el caso de que ocurra una alarma de trampa de aire, verifique si se ha desactivado la alarma después de este paso.
2. Compruebe minuciosamente el trayecto de la solución salina desde la bolsa de solución salina hasta la consola por si existiera alguna fuga. Compruebe si hay solución salina en el suelo, la consola o la cama del paciente.
3. Si detectara solución salina en el suelo, en la consola o en la cama del paciente, compruebe que los conectores luer del catéter y del kit de inicio no están agrietados ni dañados y que las conexiones presentan un hermetismo suficiente para evitar fugas.
4. Si advierte una fuga en el kit de inicio, sustituya el kit de inicio y compruebe si existe también alguna fuga en el catéter.
5. Si no detecta ninguna fuga en el kit de inicio, es probable que haya una fuga en el catéter. Siga investigando.

Comprobar si hay una fuga en el catéter

1. Desconecte el kit de inicio del catéter. Tapone adecuadamente el catéter y el kit de inicio empleando una técnica aséptica.
2. Llene de solución salina estéril una jeringa de 10 ml con punta deslizante.
3. Acople la jeringa al luer «IN» (entrada) del catéter y retire el tapón «OUT» (salida). Infunda 10 ml de solución salina: la solución debería salir por la conexión luer «OUT» (salida). Si la solución salina no sale por la conexión luer «OUT» (salida), existe una fuga en el catéter.
4. Tape la conexión luer «OUT» (salida) y aspire 5 ml de vacío. Manténgalo durante al menos 10 segundos. En la jeringa deberán entrar hasta 4 ml de solución salina (no sangre) sin que desaparezca el vacío. Si se advierten restos de sangre en la jeringa o desaparece el vacío, significa que hay una fuga en el catéter.
5. Si detecta una fuga en el catéter, cámbielo.
6. Vuelva a colocar la bolsa de solución salina y cebe de nuevo el kit de inicio.
7. Asegúrese de realizar conexiones luer herméticas con el kit de inicio y continúe con el tratamiento.

Material necesario

Cantidad	Descripción
1	Kit del catéter lcy para inserción percutánea
1	Bolsa de 500 ml de solución salina estéril (no se suministra)
	Kit de inicio (se suministra aparte)
1	<ul style="list-style-type: none">• Tubo estándar de 183 cm (6 ft), o bien• Tubo extendido de 274 cm (9 ft)
1	Consola Coolgard o Thermogard (se suministran por separado)
1	Kit de accesorios para catéter [solo para (CO)]
1	Sonda de temperatura YSI-400 (no se suministra)

Preparación e inserción del catéter

Nota. El catéter tiene una banda marcadora radiopaca que facilita la identificación del catéter durante la inserción y posteriormente (si se visualiza mediante equipos de rayos X). El extremo proximal del globo proximal tiene una banda marcadora. El extremo del catéter contiene sulfato de bario, el cual le proporciona sus propiedades radiopacas.

Utilice técnicas estériles.

Precaución. Las conexiones luer roscadas «IN» (entrada) y «OUT» (salida) de este catéter están fabricadas a medida y solo están indicadas para su conexión a los kits de inicio que se indican en Material necesario.

Preparación del catéter

1. Coloque al paciente en decúbito supino.
2. Prepare y cubra con una sábana quirúrgica el lugar de la punción según sea necesario.
3. Retire el catéter del envase con mucho cuidado, sin retirar el protector de membrana.
4. Retire los tapones de protección de las conexiones luer «IN» (entrada) y «OUT» (salida). Con el tapón del catéter colocado, rellene la jeringa (de 5 ml o más grande) con solución salina estéril y conéctela al conector luer hembra «IN» (entrada).

ADVERTENCIA. Nunca inyecte presión positiva en la conexión luer «IN» (entrada) con el tapón de la conexión luer «OUT» (salida) colocado.

5. Inyecte solución salina en el catéter poco a poco, hasta que empiece a salir por la conexión luer «OUT» (salida).
6. Utilice una jeringa de 5 ml o más grande para lavar con solución salina estéril las conexiones luer de infusión distal, proximal y media. Pince o coloque tapones de inyección en las conexiones luer de infusión proximal y media. Deje sin tapar la conexión luer distal para permitir el paso de la guía.

Precaución. Cebe siempre las conexiones luer de infusión del catéter antes de insertar el catéter en el paciente.

7. Retire el protector de membrana del catéter. Si nota resistencia al retirar del catéter el protector de membrana, lave el protector con solución salina estéril. Inspeccione el catéter para asegurarse de que se ha purgado todo el aire de la membrana de intercambio térmico. Inspeccione el catéter para comprobar si presenta fugas.

Precaución. Evite frotar en exceso el catéter recubierto. Evite frotar el catéter con una gasa seca, ya que podría dañar el recubrimiento del catéter. Evite usar alcohol, soluciones antisépticas u otros disolventes como tratamiento previo del catéter, ya que podrían causar cambios imprevisibles en su recubrimiento, lo que podría afectar a la seguridad y el rendimiento del dispositivo.

ADVERTENCIA. No corte el catéter para modificar su longitud.

Inserción del catéter

ADVERTENCIA. Realice el abordaje únicamente por la vena femoral.

1. Acceda por la vena femoral mediante técnica percutánea estándar. El acceso debe mantenerse con una guía de 0,81 mm (0,032 in). Consulte Instrucciones de uso de la guía.

ADVERTENCIA. No trate de volver a insertar una aguja introductora OTN (sobre aguja) parcialmente o totalmente retirada de su catéter.

Precaución. No utilice una guía mayor de 0,81 mm (0,032 in) con el catéter.

2. Sostenga la guía en posición y retire el catéter introductor.
Precaución. Sujete con firmeza la guía en todo momento.
3. Ensanche el lugar de punción cutánea con el borde cortante del bisturí alejado de la guía.
ADVERTENCIA. No corte la guía. Use el dilatador vascular para ensanchar el lugar según sea necesario. Evite dejar colocado el dilatador vascular como catéter permanente a fin de reducir al mínimo el riesgo de una posible perforación de la pared vascular.
4. Enrosque la punta del catéter sobre la guía. Sujete la guía con la suficiente firmeza durante la inserción del catéter. Sujete el extremo del catéter cerca de la piel e introduzca el catéter en la vena. Siga haciendo avanzar el catéter sobre la guía, con los dedos colocados en posición apenas proximal al globo.
5. Utilice las marcas de centímetro en el catéter como referencias de posición y haga avanzar el catéter hasta al menos el número mínimo del marcador a fin de asegurarse de que el puerto de infusión proximal esté en el vaso.
6. Sostenga el catéter a la profundidad adecuada y retire la guía.

Si nota resistencia al tratar de retirar la guía una vez colocado el catéter, la guía podría estar acodada en el extremo del catéter. Si nota resistencia, retraiga el catéter con respecto a la guía aproximadamente 2-3 cm y trate de retirar la guía. Si de nuevo observa resistencia, retire la guía y el catéter al mismo tiempo.

Precaución. No aplique una fuerza innecesaria sobre la guía.

7. Verifique que la guía esté intacta después de retirarla.
8. Compruebe la colocación del catéter acoplado una jeringa a la conexión luer de infusión distal y aspire hasta que se observe un flujo libre de sangre venosa. Conecte la conexión luer de infusión a una vía con la conexión luer roscada correspondiente, según sea necesario. El puerto de infusión que no se utiliza puede «bloquearse» mediante un capuchón de inyección siguiendo el protocolo hospitalario habitual. Junto con el tubo se proporciona una abrazadera deslizante que permite ocluir el flujo a través de la conexión luer de infusión durante los cambios de vía y del capuchón de inyección.

Precaución. Para reducir al mínimo el riesgo de daños en los tubos como consecuencia de una presión excesiva, se debe abrir la abrazadera antes de proceder a la infusión a través de la conexión luer.

Precaución. No pince ni ocluya las vías «IN» (entrada) y «OUT» (salida). Esto puede causar el bloqueo de las vías y posiblemente un fallo.

9. Fije y coloque un vendaje temporal en el lugar de inserción y en el catéter.
10. Realice una radiografía para verificar la posición del extremo del catéter inmediatamente después de colocarlo. La radiografía debe mostrar el catéter situado en la VCI y el extremo distal del catéter discurrirá paralelo a la pared de la vena cava. Si la punta del catéter está mal colocada, cambie su posición y vuelva a verificarla.
11. El marcador radiopaco proximal indica el extremo proximal del globo. Asegúrese de que el globo y el puerto proximal queden totalmente dentro del vaso. Si el catéter está mal colocado, cambie su posición y vuelva a verificarla.
12. Sujete el catéter al paciente. Utilice las aletas laterales del clip de sutura como lugar principal de sutura a fin de minimizar el riesgo de desplazamiento del catéter.
13. La lengüeta y clip de sutura ZOLL puede utilizarse también como punto de fijación adicional. Asegúrese de que el cuerpo del catéter esté sujeto y no se desplace.

Precaución. Use únicamente la lengüeta y el clip de sutura ZOLL que se suministran con el kit. El catéter podría dañarse si utiliza otras lengüetas y clips.

Precaución. A fin de reducir al mínimo el riesgo de cortar o dañar el catéter u ocluir el flujo en el catéter, evite que la sutura llegue hasta la parte exterior del catéter.

14. Coloque el apósito en el lugar de la punción siguiendo el protocolo hospitalario. Cuide el lugar de inserción aplicando periódicamente un nuevo apósito de forma meticulosa mediante técnica aséptica.
15. Registre en la historia clínica del paciente la longitud del catéter implantado utilizando como referencia las marcas de centímetro del cuerpo del catéter. Debe confirmarse visualmente con frecuencia que el catéter no se haya movido.
16. Acople un kit de inicio cebado al catéter: Conecte el conector luer macho del kit de inicio a la conexión luer hembra «IN» (entrada) del catéter. Conecte la conexión luer hembra del kit de inicio a la conexión luer macho «OUT» (salida) del catéter. Los tubos de extensión «IN» (entrada) y «OUT» (salida) tienen unas etiquetas «ZOLL» de color blanco que ayudan a identificarlos.
17. Compruebe que haya una cantidad suficiente de solución salina en los extremos de los conectores luer para que no entre aire en la conexión. Consulte el manual de instrucciones.

ADVERTENCIA. La conexión incorrecta del kit de inicio al catéter podría causar el fallo del catéter. No acople las conexiones luer del kit de inicio (de color naranja) a las conexiones luer de color marrón, blanco o azul.

Precaución. No acople el kit de inicio al puerto distal.

Precaución. No coloque ninguna llave de paso en una vía que pudiera cerrarse accidentalmente. Esto puede causar el bloqueo de las vías y posiblemente un fallo.

18. Bombee la solución salina a través del kit de inicio y el catéter para asegurarse de que todas las conexiones estén fijas y no haya fugas. Deje que se purgue todo el aire que quede en el sistema, tal como se describe en el manual de instrucciones.

Desconexión del catéter de la consola

1. Detenga la circulación de la solución salina a través del catéter.
2. Desconecte el kit de inicio del catéter.
3. Para mantener la esterilidad de las conexiones, tape inmediatamente las conexiones luer del catéter y del kit de inicio mediante los tapones estériles de los conectores luer o conecte entre sí las conexiones luer «IN» (entrada) y «OUT» (salida).

Reconexión del catéter a la consola

1. Retire los tapones luer de las conexiones luer del catéter y del kit de inicio. Deseche los tapones luer o desconecte los conectores luer «IN» (entrada) y «OUT» (salida) unidos entre sí.
2. Acople el kit de inicio al catéter: Conecte el conector luer macho del kit de inicio a la conexión luer hembra «IN» (entrada) del catéter. Conecte la conexión luer hembra del kit de inicio a la conexión luer macho «OUT» (salida) del catéter. El kit de inicio y las conexiones luer «IN» (entrada) y «OUT» (salida) del catéter son de color naranja. Compruebe que haya una cantidad suficiente de solución salina en los extremos de los conectores luer para que no entre aire en la conexión.

ADVERTENCIA. La conexión incorrecta del kit de inicio al catéter podría causar el fallo del catéter.

ADVERTENCIA. No utilice las conexiones luer «IN» (entrada) y «OUT» (salida) como puertos de infusión estándar de la vía central. Solamente sirven para su conexión a la consola Coolgard o Thermogard. Las conexiones luer marcadas «IN» (entrada) y «OUT» (salida) del kit de inicio solo deben conectarse a las conexiones correspondientes del catéter. Lleven conexiones ZOLL personalizadas de color naranja para facilitar su identificación.

Precaución. No coloque ninguna llave adicional de paso en una vía que pudiera cerrarse accidentalmente. Esto puede causar el bloqueo de las vías y posiblemente un fallo.

Retirada del catéter

1. Deje de bombear solución salina a través del catéter.
 2. Desconecte el kit de inicio del catéter. **Quite el tapón o deje sin tapar las conexiones luer «IN» (entrada) y «OUT» (salida) del catéter.** Esto permitirá la expulsión de la solución salina residual que quede dentro del circuito. A medida que se retira el catéter, se comprimen los globos. La solución salina dentro de los globos debe salir libremente de ellos o no se desinflarán, y esto dificultará la retirada del catéter.
 3. Otra posibilidad es acoplar una jeringa de 20 o 25 ml al conector luer «IN» (entrada) del catéter. Antes de retirar el catéter, aspire el vacío durante 15 segundos para eliminar la solución salina residual de la sección de globos del catéter.
 4. Coloque al paciente en decúbito supino. Retire el apósito. Retire las suturas.
 5. Retire poco a poco el catéter del paciente. A medida que el catéter sale del lugar de inserción, presione con un apósito impermeable al aire (p. ej., una gasa vaselinada).
- ADVERTENCIA.** No mueva el catéter si detecta resistencia. Compruebe que los conectores luer «IN» (entrada) y «OUT» (salida) del circuito de refrigeración NO estén tapados. Si lo están, quite el tapón, desinfe el globo y trate de retirar de nuevo el catéter. Si sigue notando resistencia, debe realizarse una radiografía para identificar la causa.

Información sobre la seguridad de la resonancia magnética



RM condicional

El catéter intravascular de intercambio térmico Icy es RM condicional (apto para RM en determinadas condiciones). Un paciente que tenga implantado este catéter podrá someterse de manera segura a una exploración mediante RM en las siguientes condiciones. De no respetar estas condiciones, se le podrían causar lesiones al paciente.

Parámetro	Condición
Valores nominales del campo magnético estático (T)	1,5 T y 3,0 T
Gradiente de campo espacial máximo (T/m y gauss/cm)	40 T/m (4000 gauss/cm)
Tipo de excitación de RF	Con polarización circular (basada en cuadratura)
Información de bobina de transmisión de RF	No existen restricciones referentes al uso de bobina de transmisión de RF. Podrán utilizarse, por tanto, bobinas de transmisión de RF de cuerpo entero, así como cualesquiera otras bobinas de transmisión de RF (p. ej., bobinas RF de cuerpo entero combinadas con bobinas RF solo de recepción, bobinas RF de transmisión/recepción para cabeza, bobinas RF de transmisión/recepción para rodilla, etc.).

Parámetro	Condición
Modo de funcionamiento del equipo de RM	Modo de funcionamiento normal
Valor máximo de SAR promediado para todo el cuerpo	2 W/kg (modo de funcionamiento normal)
Límites de duración de la exploración	Valor máximo de SAR promediado para todo el cuerpo de 2 W/kg durante 60 minutos de exposición continua a RF (por secuencia de impulsos o en secuencias/series consecutivas sin pausas)
Artefactos de imagen de RM	La presencia de este catéter genera un artefacto de imagen. Por ello, si el implante se encuentra en la zona de interés, se recomienda seleccionar con atención los parámetros de secuencia de pulsos.
ADVERTENCIA	Las consolas ZOLL Coolgard y Thermogard no son aptas para entornos de RM (RM inseguro) y, por tanto, debe evitarse que entren en salas donde haya equipos de RM. Para ello, el catéter debe estar desconectado de la consola antes de llevar al paciente a la sala de RM.

Instrucciones de uso de la guía

Nota. Esta información se aplica exclusivamente al uso de las guías mediante la técnica Seldinger de colocación de catéteres en la vasculatura.

Advertencias

La guía suministrada está diseñada para un solo uso. No se debe reesterilizar ni reutilizar. No vuelva a insertar el dispositivo una vez retirado del paciente.

Si nota resistencia durante la inserción o retirada, no siga moviendo la guía. Determine la causa mediante radioscopia y tome las medidas pertinentes.

Tenga mucho cuidado al desplazar la guía a través de una endoprótesis. El uso de una guía dentro de vasos con endoprótesis implantadas supone un riesgo adicional para el paciente.

Precauciones

Evite retirar la guía a través de agujas metálicas, pues podría romperse.

Dada la naturaleza frágil y delicada de las guías, hay que tener especial cuidado en su manipulación. Evite doblarlas o acodarlas. No use guías que estén dañadas.

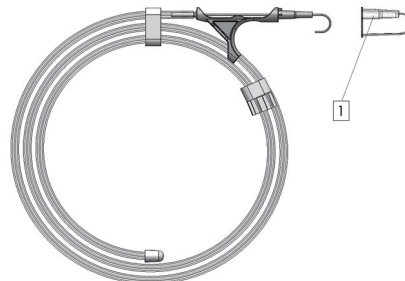
Tanto durante las intervenciones como al guardar el dispositivo, evite enrollar la guía hasta un diámetro inferior a 20,32 cm (8 in), ya que un diámetro menor crearía una tensión innecesaria sobre la guía y podría provocar acodamientos. El dispensador incluido es el mejor medio para guardar y manipular la guía.

Debe dejarse expuesta una longitud suficiente de la guía para poder mantener un buen agarre en todo momento.

Dispensador

Cada guía se presenta en un paquete dispensador dentro de una bolsa Tyvek. Saque la guía de la bolsa Tyvek. Retire el tapón de protección de la guía inmediatamente antes de usarla. Prepare la guía antes de insertarla. Se recomienda llenar el dispensador de solución salina heparinizada (p. ej., solución salina o dextrosa) para sumergir la guía durante la inserción.

La guía con forma de «J» predefinida recuperará su forma al retirarla del dispensador.



1. Tapón de protección de la guía

Inspección

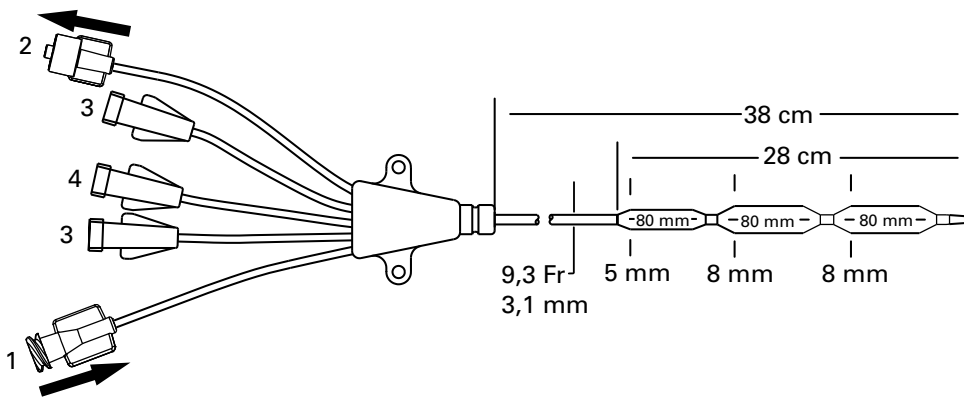
Inspeccione la guía antes de usarla y deséchela si observa en ella alguna deformación. La colocación de la guía debe supervisarse sistemáticamente mediante radiografía o radioscopia.

Técnica

1. Perfore el vaso.
2. Inserte la guía en el cono de la aguja e introduzca poco a poco 5-10 cm de guía en el vaso perforado. Desplace la guía hasta la posición deseada.
Precaución. Evite manipular la guía con una fuerza excesiva o con demasiado ímpetu para prevenir posibles daños en los vasos o en la propia guía.
3. Retire la aguja de la guía.
4. Dilate el tejido y el vaso con el dilatador realizando un ligero movimiento giratorio.
5. Retire el dilatador (el dilatador vascular debe utilizarse únicamente para la dilatación vascular).
6. Introduzca el catéter deslizándolo sobre la guía.
7. Retire la guía.

Catéter Icy

1. Conexión luer «IN» (entrada)
2. Conexión luer «OUT» (salida)
3. Puertos de infusión
4. Conexión luer distal



©2024 ZOLL Medical Corporation. Reservados todos los derechos. ZOLL e Icy son marcas comerciales o marcas registradas de ZOLL Medical Corporation o ZOLL Circulation, Inc. en EE. UU. o en otros países. Todas las marcas comerciales son propiedad de sus respectivos titulares.

Patente: www.zoll.com/patents

Português (ptbr)

Modelo IC-3893AE/8700-0782-40 e IC-3893CO/8700-0782-14

O kit do cateter intravascular de troca de calor Icy® inclui:

Quantidade	Descrição
1 AE(CO)	Cateter intravascular de troca de calor Icy 9,3 French x 38 cm Luer de tripla infusão Grampos de linha de extensão Haste radiopaca Revestido com heparina Applause
1 AE(CO)	Fio-guia de 0,81 mm (0,032 pol.) x 75 cm
1 AE(CO)	Dilatador de vasos de 3,6 mm x 1,0 mm (10,5 Fr x 0,038 pol.)
1 AE(CO)	Guia e clipe destacáveis de sutura
1 AE	Cateter sobre agulha radiopaco de 1,3 mm x 63 mm (18 ga x 2½ pol.)
1 AE	Seringa de 5 mL e agulha de 0,7 mm x 38 mm (22 ga x 1½ pol.)
1 AE	Campo cirúrgico fenestrado
1 AE	Agulha de 1,3 mm x 70 mm (18 ga x 2¾ pol.)
6 AE	Compressas de gaze de 10 cm x 10 cm (4 pol. x 4 pol.)
1 AE	Sutura de seda 000
1 AE	Lâmina de bisturi nº 11 com cabo longo

Observação - Componentes do kit por modelo

Cada modelo é fornecido com um kit de inserção padrão (AE) ou sem o kit de inserção padrão (CO). Os componentes comuns a ambos os kits são identificados como AE(CO) na tabela acima. Os outros componentes encontrados apenas no kit padrão são identificados como AE.

Descrição do dispositivo

O cateter intravascular de troca de calor Icy ("cateter Icy" ou "cateter") é um cateter flexível estéril, de 9,3 Fr, de uso único, projetado para ser posicionado na veia cava inferior a partir de um local de inserção na veia femoral. O cateter Icy foi desenvolvido para ser ligado a um Start-Up Kit ZOLL® descartável de uso único e à família de consoles Coolgard® ou Thermogard® ("console") (todos fornecidos separadamente). Para a inserção percutânea do cateter Icy são necessários um dilatador e um fio-guia. Existem três Luers disponíveis para infusão e amostragem.

Porta de infusão	Taxa de fluxo	Volume para preparo
Distal (marrom)	1.700 mL/h	0,5 mL
Medial (branca)	900 mL/h	0,4 mL
Proximal (azul)	1.200 mL/h	0,4 mL

As superfícies de contato do cateter com o sangue (ponta, balão e haste) são tratadas com um revestimento antitrombótico de heparina Applause.

Esterilidade

Esterilizado com óxido de etileno. O cateter é fornecido esterilizado para uso único e não deve ser reesterilizado. A embalagem deve ser inspecionada antes do uso, para verificar se a barreira de esterilidade não está comprometida.

Armazenamento

Armazenar em local fresco e seco. Evitar congelamento e calor excessivo.

Indicação de uso

O cateter Icy, combinado ao sistema Coolgard ou Thermogard, permite a circulação de solução salina com temperatura controlada através de um trocador de calor para resfriar/reaquecer o sangue de pacientes para os quais os riscos de um acesso central se justificam. Período máximo de uso: 4 dias.

Contraindicações

- Os riscos do cateter são essencialmente os de um cateter venoso central. O cateter não deve ser usado em pacientes para os quais não é indicado um acesso venoso central.
- Diátese hemorrágica.
- Sepse ativa.
- Infecção ou sangramento ativo no local de inserção do cateter.
- Pacientes sem acesso vascular, ou com um sistema vascular que não suporta cateteres, inclusive pacientes com filtros de veia cava ou outros dispositivos implantados que impeçam a passagem do cateter.
- Pacientes para os quais não é possível estabelecer o monitoramento necessário da temperatura.
- A hipotermia é contraindicada em pacientes com doenças hematológicas que serão agravadas pela hipotermia (p. ex., qualquer doença que produza crioglobulinemia, qualquer hemoglobinopatia na qual a anemia hemolítica possa ser precipitada pelo frio, inclusive doença falciforme ou talassemia).
- Não se destina a uso pediátrico ou neonatal.

Advertências, precauções, reações adversas

O cateterismo venoso central deve ser realizado apenas por profissionais bem treinados e com profundos conhecimentos de marcos anatômicos e técnica segura. Os profissionais também devem ter conhecimento sobre possíveis complicações.

ADVERTÊNCIA

O cateter só deve ser introduzido pela veia femoral. Não permita que o cateter seja colocado no átrio direito ou no ventrículo direito. O posicionamento no átrio direito ou no ventrículo direito pode resultar em lesões graves ou morte do paciente.

Exclusivamente para uso único. O produto destina-se apenas a uso único. Não reesterilizar nem reutilizar. Não reinserir depois de remover do paciente. Não fazer nenhuma alteração no cateter.

Os riscos potenciais da reutilização de um dispositivo de uso único incluem, entre outros:

- Infecção com potencial risco à vida
- Choque tóxico devido à degradação de materiais
- Aumento do risco de trombose
- Menor poder de troca de calor
- Falhas do dispositivo

ADVERTÊNCIA. O cateter Icy e o Start-Up Kit potencialmente podem não se conectar adequadamente a outros dispositivos com conectores de calibre pequeno. Esses erros de conexão podem resultar em lesão ou morte do paciente.

Atenção. Os Luers exclusivos contidos no cateter e no Start-Up Kit podem reduzir o risco de erro de conexão, mas ainda têm o potencial de erro de conexão com as seguintes aplicações específicas de dispositivos médicos: Aplicações de sistemas de respiração e gases medicinais, aplicações enterais e gástricas, aplicações uretrais e urinárias, aplicações com manguito de inflar para membros, aplicações neuroaxiais e aplicações intravasculares ou hipodérmicas. Sempre exerça cautela ao conectar Start-Up Kits e cateteres da ZOLL a essas e outras aplicações de dispositivos médicos.

Atenção. Verifique se o cateter Icy e/ou o Start-Up Kit não estão conectados a uma linha IV ou a outro dispositivo médico.

- O cateter deve ser posicionado de modo que a sua ponta distal esteja na veia cava inferior, abaixo da sua junção com o átrio direito e paralela à parede do vaso. Imagens por raios X devem ser usadas para verificar se o cateter não está no átrio ou ventrículo direito.

2. **Atenção.** Se for observado sangue dentro do circuito de solução salina, interrompa o processo e procure vazamentos no cateter.
 3. Possíveis complicações com cateteres venosos centrais incluem: perfuração atrial ou ventricular, tamponamento cardíaco, embolia gasosa, embolia por cateter, laceração do ducto torácico, bacteremia, septicemia, trombose, punção arterial acidental, formação de hematoma, hemorragia, lesão nervosa e disritmias.
 4. Todas as conexões Luer-Lock e tampas devem ser bem apertadas para evitar embolia gasosa ou perda de líquido ou sangue.
 5. Nunca usar força excessiva para avançar o cateter ou fio-guia. Se for encontrada resistência, uma imagem de raios X deve ser obtida para identificar a razão da resistência.
 6. A passagem do fio-guia para dentro do lado direito do coração pode causar arritmias, bloqueio de ramo direito ou perfuração da parede do vaso, de átrio ou ventrículo.
 7. Use apenas solução salina estéril normal para preparar o cateter. Esse é o líquido circulante no cateter.
 8. O cateter deve ser rotineiramente inspecionado quanto à taxa de fluxo, fixação do curativo, posição correta do cateter e firmeza das conexões Luer-Lock. Use as marcações de centímetros para verificar se houve alguma mudança na posição do cateter. Um dos potenciais riscos associados a cateteres-balão de vários lumens é a falta de terapia, inclusive falha na administração do medicamento através dos lumens de infusão.
 9. Apenas uma radiografia pode confirmar se a ponta do cateter não entrou no coração ou se está ou não paralela à parede do vaso. Se a posição do cateter tiver mudado, faça um exame radiográfico para confirmar a posição da ponta do cateter.
 10. Para a coleta de sangue, feche temporariamente as portas de infusão restantes através das quais as soluções estão sendo infundidas.
 11. Use apenas uma seringa de 30 mL ou menos para coleta de sangue.
 12. Álcool e acetona podem enfraquecer a estrutura do material da haste. É preciso cuidado ao se infundir medicamentos que contenham álcool ou quando se utiliza álcool ou acetona ao executar os procedimentos de rotina e manutenção em cateteres. Não se deve usar álcool para retirar coágulos do cateter.
 13. Use apenas a guia e o clipe de sutura ZOLL fornecidos no kit para prevenir danos ao cateter.
 14. O uso de uma seringa menor que 10 mL para irrigar ou retirar coágulos de um cateter obstruído pode causar vazamento intraluminal ou ruptura do cateter.
 15. Não infunda nas conexões Luer-Lock ENTRADA (IN) e SAÍDA (OUT) de cor laranja, pois isso resultaria em falta de terapia.
 16. A febre pode ter origem infecciosa e/ou não infecciosa. A redução da febre como um sinal de possível infecção requer uma avaliação diária rigorosa de outros sinais de infecção.
 17. É preciso cautela ao infundir medicamentos que podem ser afetados por temperaturas baixas (chegando até 4 °C). Soluções contendo manitol são sensíveis à temperatura e não devem ser administradas através do cateter, exceto para administração rápida de uma solução com concentração de até 20% de manitol seguida por solução salina. A administração de concentração maior que 20% de manitol por gotejamento ou a administração de manitol por bomba de infusão deve ser feita através de uma linha separada.
 18. Tamponamento cardíaco: A colocação de cateteres de longa permanência no átrio direito é uma prática que pode causar perfuração e tamponamento cardíacos. Os profissionais que colocam cateteres venosos centrais devem estar cientes desta complicação potencialmente fatal antes de avançar o cateter longe demais em relação ao tamanho do paciente. A posição real da ponta do cateter de longa permanência deve ser confirmada por radiografia após a inserção. Cateteres venosos centrais não devem ser colocados no átrio direito a menos que especificamente necessário para procedimentos especiais relativamente curtos, como a aspiração de êmbolos de ar durante neurocirurgia. Todavia, tais procedimentos acarretam risco e devem ser cuidadosamente monitorados e controlados.
 19. O cateter é revestido com heparina. Isso pode induzir ou agravar trombocitopenia preexistente induzida por heparina (TIH).
 20. **ADVERTÊNCIA.** Ao conectar os conjuntos de infusão/sistemas de injeção ao cateter, não ultrapasse 100 psi/689 kPa.
 21. No caso de pacientes que estão sendo submetidos à hipotermia, a própria hipotermia pode agravar algumas doenças. É preciso ter o cuidado de monitorar adequadamente a homeostasia do paciente durante a hipotermia.
 - Distúrbios do ritmo cardíaco – bradicardia e taquiarritmia ventricular.
 - Função de coagulação e formação de coágulos. Pacientes com risco de transtornos de coagulação ou formação de coágulos devem ser cuidadosamente monitorados durante a hipotermia.
 - Análise de gases e pH do sangue. A hipotermia modifica o pH e a PaCO₂ em repouso. Os médicos devem estar cientes do efeito da temperatura sobre o resultado.
 - Hipotermia prolongada deprime a resposta imunológica e a função pulmonar.
- ADVERTÊNCIA. Vazamento intraluminal ou no balão.** Vazamento intraluminal (entre o lúmen de solução salina e os lumens de infusão) ou vazamento no balão é um potencial modo de falha do cateter. Nesse tipo de falha, solução salina estéril do circuito de resfriamento é introduzida no paciente. Vazamento intraluminal ou no balão é normalmente associado a um alarme de perda de líquido, uma vez que a bolsa de solução salina foi esvaziada e interrompe o sistema. **Investigue sempre alarmes de nível do líquido.** O circuito de resfriamento é um sistema de circuito fechado - geralmente alarmes de perda de líquido indicam rompimento em algum ponto desse circuito fechado. Em caso de alarme de perda de líquido, verifique a integridade do cateter e do Start-Up Kit (veja abaixo).
- ADVERTÊNCIA.** Se perceber uma bolsa de solução salina vazia ou um alarme de sifão, não substitua a bolsa de solução salina antes de identificar o local do vazamento e fazer a mitigação apropriada. Procure vazamentos no sistema de acordo com as instruções nas seções Procure por um vazamento no Start-Up Kit e Procure por um vazamento no cateter abaixo. (Lembre-se de que um vazamento pode ser externo ou interno.)
- Substituir a bolsa de solução salina repetidamente sem investigar o vazamento ou a falta de solução salina pode resultar em infusão indesejada de solução salina no paciente. A infusão de solução salina pode causar os seguintes efeitos adversos: inchaço local que pode causar subsequente dano ao tecido local; sobrecarga sistêmica de volume que pode causar edema dependente e subsequente lesão na pele; sobrecarga de volume em órgãos internos, com subsequente sobrecarga do cérebro, pulmões ou coração. Em alguns casos, essa sobrecarga de volume pode causar eventos potencialmente fatais.
- Atenção.** O console emite um alarme quando a bolsa de solução salina está vazia. A bolsa deve estar completamente vazia e solução salina adicional deve ter drenado entre o sifão e o gancho de solução salina para que o nível de solução salina no sifão caia o suficiente para acionar o alarme.
- Procure por um vazamento no Start-Up Kit**
1. Procure condensação no sifão. Se o sifão apresentar sinais de condensação, limpe-o e reinstale-o no console. No caso de um alarme de sifão, confirme se o alarme de sifão é desativado depois desta etapa.
 2. Procure cuidadosamente vazamentos no caminho da solução salina, da bolsa de solução salina até o console. Verifique se há solução salina no chão, no console ou no leito do paciente.
 3. Se houver solução salina no chão, console ou leito do paciente, verifique se os Luers no cateter e no Start-Up Kit não estão rachados ou danificados e se as conexões estão bem apertadas, de forma a evitar vazamentos.
 4. Se encontrar um vazamento no Start-Up Kit, substitua-o e verifique se há vazamento também no cateter.
 5. Se não encontrar vazamento no Start-Up Kit, provavelmente há um vazamento no cateter. Procure-o.

Procure por um vazamento no cateter

1. Desconecte o Start-Up Kit do cateter. Tampe corretamente o cateter e o Start-Up Kit utilizando técnica asséptica.
2. Encha com solução salina estéril uma seringa estéril de 10 mL com ponta tipo slip.
3. Conecte a seringa ao Luer de ENTRADA (IN) do cateter e desconecte a tampa de SAÍDA (OUT). Infunda 10 mL de solução salina, que devem fluir para fora pelo Luer de SAÍDA (OUT). Se a solução salina não fluir pelo Luer de SAÍDA (OUT), isso indica um vazamento no cateter.
4. Tampe o Luer de SAÍDA (OUT) e puxe 5 mL de vácuo. Mantenha assim por pelo menos 10 segundos. Até 4 mL de solução salina (sem sangue) devem entrar na seringa, e deve ser possível manter o vácuo. Traços de sangue na seringa ou impossibilidade de manter o vácuo são indicações de vazamento no cateter.
5. Se encontrar um vazamento no cateter, substitua o cateter.
6. Substitua a bolsa de solução salina e prepare o Start-Up Kit novamente.
7. Confirme que não há vazamento nas conexões do Luer com o Start-Up Kit e continue a terapia.

Materiais necessários

Quantidade	Descrição
1	Kit do cateter Icy para introdução percutânea
1	Bolsa de solução salina estéril normal de 500 mL (não fornecida)
1	Start-Up Kit (fornecido separadamente) <ul style="list-style-type: none">• 183 cm (6 pés) de tubulação padrão ou• 274 cm (9 pés) de tubulação estendida
1	Console Coolgard ou Thermogard (fornecido separadamente)
1	Kit de acessórios [Somente para (CO)]
1	Sonda de temperatura YSI-400 (não fornecida)

Preparação e inserção do cateter

Observação. O cateter tem uma faixa marcadora radiopaca para ajudar na identificação do cateter durante e após a inserção, quando visualizado com o auxílio de um aparelho de raios X. A extremidade proximal do balão proximal tem uma faixa marcadora. A ponta do cateter contém sulfato de bário para torná-la radiopaca.

Use técnica estéril.

Atenção. As conexões Luer-Lock de ENTRADA (IN) e SAÍDA (OUT) deste cateter são fabricadas sob medida e foram concebidas para se conectarem apenas com os Start-Up Kits relacionados em Materiais necessários.

Preparação do cateter

1. Coloque o paciente em decúbito dorsal.
2. Prepare e coloque campos cirúrgicos no local da punção, conforme necessário.
3. Retire cuidadosamente o cateter da embalagem, deixando a cobertura da membrana do cateter.
4. Retire as tampas dos Luers de ENTRADA (IN) e SAÍDA (OUT). Com a tampa do cateter posicionada, encha a seringa (5 mL ou maior) com solução salina estéril e acople a seringa ao Luer fêmea de ENTRADA (IN).
ADVERTÊNCIA. Nunca injete pressão positiva no Luer de ENTRADA (IN) enquanto o Luer de SAÍDA (OUT) estiver com a tampa.
5. Com cuidado, injete solução salina pelo cateter até que comece a sair pelo Luer de SAÍDA (OUT).

6. Usando uma seringa de 5 mL ou mais, lave os Luers de infusão distal, proximal e medial com solução salina estéril. Clampeie ou coloque tampas de injeção nos Luers de infusão proximal e medial. Deixe o Luer distal destapado para passagem do fio-guia.

Atenção. Sempre prepare os Luers de infusão do cateter antes de inseri-lo no paciente.

7. Retire a cobertura da membrana do cateter. Se houver resistência na remoção da cobertura da membrana do cateter, lave-a com solução salina estéril. Inspeção o cateter para verificar se o ar foi purgado da membrana de troca de calor. Inspeção o cateter para verificar se não existem vazamentos.

Atenção. Evite esfregar demais o cateter revestido. Evite esfregar o cateter com gaze seca; isso pode danificar o revestimento do cateter. Evite usar álcool, soluções assépticas ou outros solventes para pré-tratar o cateter, porque isso pode provocar alterações imprevisíveis no revestimento, que podem afetar a segurança e o desempenho do dispositivo.

ADVERTÊNCIA. Não corte o cateter para alterar o comprimento.

Inserção do cateter

ADVERTÊNCIA. Use apenas acesso pela veia femoral.

1. Obtenha acesso venoso femoral utilizando técnicas percutâneas convencionais. O acesso deve ser mantido com um fio-guia de 0,81 mm (0,032 pol.). Consulte as Instruções de uso do fio-guia.

ADVERTÊNCIA. Não tente reinserir uma agulha introdutora do tipo OTN (sobre a agulha) que tenha sido parcial ou completamente retirada do seu cateter.

Atenção. Não use fio-guia com diâmetro superior a 0,81 mm (0,032 pol.) com o cateter.

2. Segure o fio-guia no lugar ao remover o cateter introdutor.
Atenção. Mantenha controle firme sobre o fio-guia o tempo todo.
3. Aumente o local da punção cutânea com a borda cortante de um bisturi virada na direção oposta à do fio-guia.
ADVERTÊNCIA. Não corte o fio-guia. Use um dilatador de vasos para aumentar o local, conforme necessário. Não deixe o dilatador de vasos no lugar como se fosse um cateter de longa permanência, a fim de minimizar o risco de possível perfuração da parede do vaso.
4. Avance a ponta do cateter sobre o fio-guia. Mantenha controle suficientemente firme sobre o fio-guia durante a inserção do cateter. Segurando a ponta do cateter próximo à pele, avance o cateter na veia. Continue a avançar o cateter ao longo do fio-guia, posicionando os dedos proximais em relação ao balão.

5. Usando as marcações de centímetros no cateter como pontos de referência de posicionamento, avance o cateter até pelo menos o valor mínimo do marcador para garantir que a porta de infusão proximal esteja no vaso.

6. Mantenha o cateter na profundidade desejada e remova o fio-guia. Se encontrar resistência quando tentar remover o fio-guia após o posicionamento do cateter, o fio-guia pode estar dobrado na ponta do cateter. Em caso de resistência, puxe o cateter cerca de 2–3 cm para fora em relação ao fio-guia e tente remover o fio-guia. Se novamente encontrar resistência, remova o fio-guia e o cateter simultaneamente.

Atenção. Não faça força excessiva sobre o fio-guia.

7. Verifique se o fio-guia está intacto após a remoção.
8. Para verificar a colocação do cateter, acople uma seringa ao Luer de infusão distal e aspire até observar um livre fluxo de sangue venoso. Conecte o Luer de infusão à linha Luer-Lock correta, conforme necessário. As portas de infusão não utilizadas podem ser travadas por meio da tampa de injeção, usando o protocolo padrão do hospital. Um grampo deslizante é fornecido na tubulação para obstruir o fluxo através do Luer de infusão durante trocas de linha e tampa de injeção.

Atenção. Para minimizar o risco de danos à tubulação causados por pressão excessiva, abra o grampo antes de iniciar a infusão pelo Luer.

Atenção. Não feche com grampo nem obstrua as linhas de fluxo de ENTRADA (IN) e SAÍDA (OUT). Isso poderá causar bloqueio e possível falha da linha.

9. Fixe e proteja com curativo o local da inserção e o cateter temporariamente.
10. Verifique a posição da ponta do cateter com uma radiografia de tórax imediatamente após a colocação. O exame radiográfico deve mostrar o cateter localizado na veia cava inferior (VCI), com a ponta distal do cateter paralela à parede da veia cava. Se a ponta do cateter estiver mal posicionada, reposicione-a e faça nova verificação.
11. A marca radiopaca proximal indica a extremidade proximal do balão. Verifique se o balão está completamente dentro do vaso. Se o cateter estiver mal posicionado, reposicione-o e faça nova verificação.
12. Prenda o cateter no paciente. Use as abas da guia de sutura como sítio primário de sutura, a fim de minimizar o risco de migração do cateter.
13. A guia e o clipe de sutura ZOLL também podem ser usados como ponto adicional de fixação. O corpo do cateter deve ficar firme no lugar, sem deslizar.

Atenção. Use apenas a guia e o clipe de sutura ZOLL fornecidos no kit. Poderão ocorrer danos ao cateter se outros cliques ou guias forem usados.

Atenção. Não faça suturas diretamente no diâmetro externo do cateter, para minimizar o risco de corte ou dano ao cateter ou de bloqueio do fluxo do cateter.

14. Faça um curativo no local da punção de acordo com o protocolo do hospital. Troque regularmente os curativos do local de inserção usando técnica asséptica.
15. Registre no prontuário do paciente o comprimento do cateter de longa permanência usando as marcações de centímetros na haste do cateter como referência. Faça inspeções visuais frequentes para verificar se o cateter não mudou de posição.
16. Acople um Start-Up Kit preparado ao cateter: Conecte o Luer macho do Start-Up Kit ao Luer fêmea de ENTRADA (IN) do cateter. Conecte o Luer fêmea do Start-Up Kit ao Luer macho de SAÍDA (OUT) do cateter. Há marcações brancas da "ZOLL" frouxamente encaixadas nos tubos de extensão de ENTRADA (IN) e SAÍDA (OUT) para ajudar a identificá-los.

Observação. Os Luers de ENTRADA (IN) e SAÍDA (OUT) do Start-Up Kit foram concebidos para se conectarem apenas com os Luers de ENTRADA (IN) e SAÍDA (OUT) do cateter e não foram concebidos para se conectarem a seringas tipo luer lock. Eles têm encaixes especiais da ZOLL e são de cor laranja para facilitar a identificação.

17. Deve haver uma quantidade suficiente de solução salina estéril nas extremidades dos Luers para que a conexão fique livre de ar. Consulte o manual de operação.

ADVERTÊNCIA. Se o Start-Up Kit não for conectado corretamente ao cateter, poderá ocorrer falha do cateter. Não conecte os Luers do Start-Up Kit (laranja) aos Luers azuis, brancos ou marrons.

Atenção. Não conecte o Start-Up Kit à porta distal.

Atenção. Não coloque válvulas na linha que possam ser fechadas acidentalmente. Isso poderá causar bloqueio e possível falha da linha.

18. Bombeie solução salina pelo Start-Up Kit e pelo cateter para verificar se todas as conexões estão firmes e se não há vazamento. Todo o ar restante no sistema deve ser purgado conforme descrito no manual de operação.

Desconexão do cateter do console

1. Interrompa a circulação de solução salina pelo cateter.
2. Desconecte o Start-Up Kit do cateter.
3. Para manter as conexões estéreis, tampe imediatamente os conectores Luer tanto do cateter como do Start-Up Kit, usando tampas estéreis para Luer, ou conecte os Luers de ENTRADA (IN) e SAÍDA (OUT) um ao outro.

Reconexão do cateter ao console

1. Remova as tampas do Luer dos conectores do Luer do cateter e Start-Up Kit. Descarte as tampas Luer ou desconecte os Luers de ENTRADA (IN) e SAÍDA (OUT) um do outro.
2. Conecte o Start-Up Kit ao cateter: Conecte o Luer macho do Start-Up Kit ao Luer fêmea de ENTRADA (IN) do cateter. Conecte o Luer fêmea do Start-Up Kit ao Luer macho de SAÍDA (OUT) do cateter. O Start-Up Kit e os Luers de ENTRADA (IN) e SAÍDA (OUT) do cateter são cor de laranja. Deve haver uma quantidade suficiente de solução salina estéril nas extremidades dos Luers para que a conexão fique livre de ar.

ADVERTÊNCIA. Se o Start-Up Kit não for conectado corretamente ao cateter, poderá ocorrer falha do cateter.

ADVERTÊNCIA. Não use os encaixes Luer de ENTRADA (IN) e SAÍDA (OUT) para portas de infusão de linha central padrão. Eles são apenas para conexão com o console Coolgard/Thermogard. Os Luers de ENTRADA (IN) e SAÍDA (OUT) do Start-Up Kit foram concebidos para se conectarem apenas com os Luers de ENTRADA (IN) e SAÍDA (OUT) do cateter. Eles têm encaixes especiais da ZOLL e são de cor laranja para facilitar a identificação.

Atenção. Não coloque válvulas adicionais na linha que possam ser fechadas acidentalmente. Isso poderá causar bloqueio e possível falha da linha.

Remoção do cateter

1. Interrompa o bombeamento de solução salina pelo cateter.
2. Desconecte o Start-Up Kit do cateter. **Destampe ou deixe sem tampar os Luers de ENTRADA (IN) e SAÍDA (OUT) do cateter.** Isso permitirá que a solução salina residual saia do circuito. À medida que o cateter é retirado, os balões são comprimidos. A solução salina dentro dos balões deve estar livre para sair do balão, caso contrário o balão não esvaziará, dificultando a remoção do cateter.
3. Alternativamente, acople uma seringa de 20 mL ou 25 mL ao Luer de ENTRADA (IN) do cateter. Puxe e mantenha um vácuo por 15 segundos, para permitir que a solução salina residual seja removida da seção do balão do cateter antes da remoção do cateter.

4. Coloque o paciente em decúbito dorsal. Remova o curativo. Remova as suturas do local da sutura.

ADVERTÊNCIA. Não coloque uma tampa Luer no Luer de SAÍDA (OUT).

5. Remova o cateter lentamente do paciente. À medida que o cateter sair, aplique pressão com um curativo impermeável ao ar, p. ex. gaze com vaselina.

ADVERTÊNCIA. Não remova o cateter se sentir resistência. Confirme se os Luers de ENTRADA (IN) e SAÍDA (OUT) do circuito de resfriamento NÃO estão tampados. Se estiverem tampados, destampe-os, esvazie o balão e tente remover o cateter novamente. Se ainda for encontrada resistência, uma imagem de raios X deve ser obtida para identificar a razão da resistência.

Informações de segurança para RM



RM condicional

O cateter intravascular de troca de calor Icy é de uso condicional com RM. Um paciente com este cateter pode ser examinado com segurança sob as condições abaixo. Se essas condições não forem cumpridas, podem ocorrer lesões ao paciente.

Parâmetro	Condição
Valores nominais de campo magnético estático (T)	1,5 T e 3,0 T
Gradiente de campo espacial máximo (T/m e gauss/cm)	40 T/m (4.000 gauss/cm)
Tipo de excitação por RF	Circularmente polarizada (CP) (ou seja, em quadratura)
Informações da bobina de RF de transmissão	Não há restrições à bobina de RF de transmissão. Da mesma forma, podem ser usadas: bobina de RF de transmissão de corpo e todas as outras combinações de bobina de RF (ou seja, bobina de RF de corpo combinada com qualquer bobina de RF de recepção, bobina de RF de cabeça de transmissão/recepção, bobina de RF de joelho de transmissão/recepção etc.)
Modo de operação do sistema de RM	Modo de operação normal

Parâmetro	Condição
Taxa de absorção específica (SAR) média máxima de corpo inteiro	2 W/kg (modo de operação normal)
Limites de duração do exame	A SAR média de corpo inteiro de 2 W/kg para 60 minutos de exposição contínua à RF (ou seja, por sequência de pulsos ou sequências/séries consecutivas sem interrupção)
Artefato de imagem RM	A presença deste implante produz um artefato de imagem. Por isso, selecione com cuidado os parâmetros de sequência se o implante estiver localizado em uma área de interesse.
ADVERTÊNCIA	Os consoles Coolgard e Thermogard da ZOLL não são seguros em RM e, portanto, esses consoles não são permitidos na sala do sistema de RM. Assim, o cateter deve estar desconectado do console antes de transportar o paciente para a sala do sistema de RM.

Instruções de uso do fio-guia

Observação. Estas informações só se aplicam ao uso de fios-guia com a técnica de Seldinger de colocação de cateter na vasculatura.

Advertências

O fio-guia fornecido destina-se apenas a uso único. Não reesterilizar nem reutilizar. Não reinserir depois de remover do paciente.

Caso ocorra resistência durante a inserção ou retirada, não continue a mover o fio-guia. Determine a causa sob fluoroscopia e tome as medidas necessárias.

Tenha muito cuidado ao mover um fio-guia através de um stent. O uso de fio-guia em vasos com stent acarreta risco adicional ao paciente.

Atenção

Evite a retirada do fio-guia através de agulhas de metal; pode ocorrer cisalhamento do fio-guia.

Devido à natureza delicada e frágil dos fios-guia, deve-se ter cuidado redobrado no seu manuseio. Evite dobrar ou torcer. Não use fios-guias danificados.

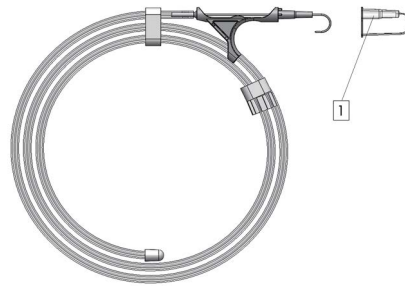
Durante o armazenamento ou procedimentos, evite enrolar o fio-guia em diâmetros inferiores a 20,32 cm (8 pol.), pois diâmetros menores exercem tensão desnecessária sobre o fio-guia e podem causar dobras. O dispositivo de liberação fornecido é a melhor maneira de armazenar e manusear o fio-guia.

Um comprimento suficiente do fio-guia deve permanecer exposto para que se possa manter um controle firme sobre o fio-guia o tempo todo.

Dispositivo de liberação

Cada fio-guia é fornecido em um dispositivo de liberação dentro de uma bolsa Tyvek. Remova o fio-guia da bolsa Tyvek. Remova a tampa protetora do fio-guia imediatamente antes do uso. Prepare o fio-guia antes da inserção. Recomenda-se que o dispositivo de liberação seja preenchido com soluções heparinizadas (p. ex., solução salina ou dextrose) para banhar o fio-guia durante a inserção.

O fio-guia pré-moldado em "J" retomar a sua forma quando for removido do dispositivo de liberação.



1. Tampa protetora do fio-guia

Inspeção

Inspeccione o fio-guia antes de usar e descarte-o se observar alguma deformidade. A colocação do fio-guia deve ser rotineiramente monitorada por raio X ou fluoroscopia.

Técnica

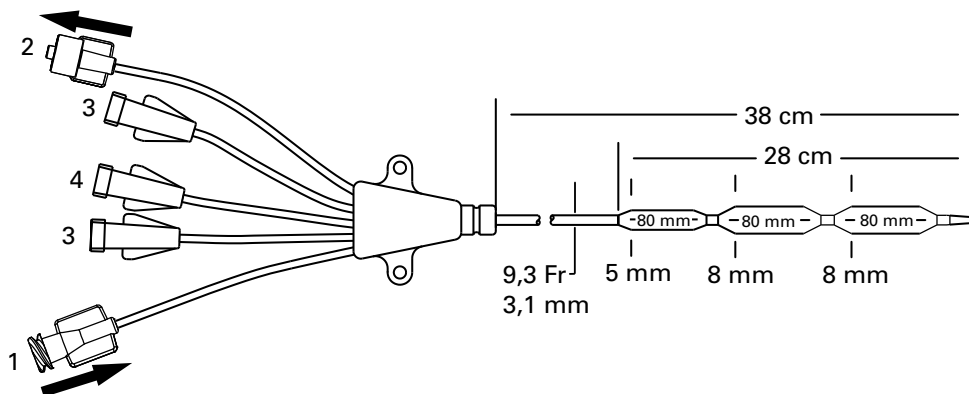
1. Puncione o vaso.
2. Insira o fio-guia no conector da agulha e avance suavemente 5–10 cm do fio-guia para dentro do vaso puncionado. Encaminhe o fio-guia até a posição desejada.

Atenção. Evite manipulação grosseira ou excessivamente vigorosa do fio-guia, a fim de evitar danos ao fio-guia ou ao vaso.

3. Retire a agulha do fio-guia.
4. Dilate o tecido e o vaso com o dilatador usando um leve movimento de rotação.
5. Remova o dilatador (o dilatador de vasos foi concebido apenas para dilatação vascular).
6. Introduza o cateter deslizando-o sobre o fio-guia.
7. Remova o fio-guia.

Cateter Icy

1. Luer de ENTRADA (IN)
2. Luer de SAÍDA (OUT)
3. Portas de infusão
4. Luer distal



©2024 ZOLL Medical Corporation. Todos os direitos reservados.

ZOLL e Icy são marcas comerciais ou registradas da ZOLL Medical Corporation e/ou ZOLL Circulation, Inc. nos Estados Unidos e/ou outros países. Todas as marcas registradas pertencem a seus respectivos proprietários.

Patente: www.zoll.com/patents

Português (pt)

Modelos IC-3893AE/8700-0782-40 e IC-3893CO/8700-0782-14

O kit de cateter de permuta de calor intravascular Icy® inclui:

Quantidade	Descrição
1 AE(CO)	Cateter de permuta de calor intravascular Icy 9,3 Fr x 38 cm Luer de perfusão triplo Clampes da linha de extensão Haste radiopaca Revestimento de heparina Applause
1 AE(CO)	Fio-guia de 0,81 mm (0,032") x 75 cm
1 AE(CO)	Dilatador de vasos de 3,6 mm x 1,0 mm (10,5 Fr x 0,038")
1 AE(CO)	Clipe e patilha para sutura amovíveis
1 AE	Cateter OTN radiopaco de 1,3 mm x 63 mm (18 G x 2½")
1 AE	Seringa de 5 ml e agulha de 0,7 mm x 38 mm (22 G x 1½")
1 AE	Pano de campo fenestrado
1 AE	Agulha de 1,3 mm x 70 mm (18 G x 2¾")
6 AE	Compressas de gaze de 10 cm x 10 cm (4" x 4")
1 AE	Sutura de seda 000
1 AE	Lâmina cirúrgica n.º 11 com cabo comprido

Nota — Componentes do kit por modelo

Cada modelo base está disponível com kit de suporte à inserção padrão (AE) ou sem kit de suporte à inserção padrão (CO). No quadro acima, os componentes comuns a ambos os kits são identificados por AE(CO). Os componentes adicionais, que só existem no kit padrão, são identificados por AE.

Descrição do dispositivo

O cateter de permuta de calor intravascular Icy ("cateter Icy" ou "cateter") é um cateter de 9,3 Fr flexível, estéril e de uso único, concebido para colocação na veia cava inferior a partir de um local de inserção na veia femoral. O cateter Icy destina-se a ser ligado a um kit de inicialização descartável ZOLL®, de uso único, e à família de consolas Coolgard® ou Thermogard® ("consola") (todos fornecidos em separado). É necessário um dilatador e um fio-guia para a inserção percutânea do cateter Icy. Estão disponíveis três Luers para perfusão e colheita de amostras.

Porta de perfusão	Débito	Volume de escorva (priming)
Distal (castanha)	1700 ml/h	0,5 ml
Medial (branca)	900 ml/h	0,4 ml
Proximal (azul)	1200 ml/h	0,4 ml

As superfícies do cateter que contactam com sangue (ponta, balão e haste) são tratadas com revestimento de heparina Applause antitrombótico.

Esterilidade

Esterilizado pelo óxido de etileno. O cateter é fornecido estéril para uso único e não deve voltar a ser esterilizado. A embalagem deve ser inspecionada antes da utilização para garantir que a barreira de esterilidade não foi comprometida.

Armazenamento

Armazenar num local fresco e seco. Evitar congelar e calor excessivo.

Utilização pretendida

O cateter Icy, combinado com o sistema Coolgard ou Thermogard, permite a circulação de soro fisiológico estéril, a temperatura controlada, através de um permutador de calor para arrefecer/aquecer o sangue de doentes para os quais os riscos de utilização de uma linha central se justificam. Período máximo de utilização: 4 dias.

Contraindicações

- Os riscos do cateter são essencialmente os mesmos de uma linha central. O cateter não deve ser utilizado em doentes para os quais não seja indicada a colocação de uma linha central.
- Diátese hemorrágica.
- Sépsis ativa.
- Infeção ou hemorragia ativa no local de inserção do cateter.
- Doentes sem acesso vascular ou cujo sistema vascular não permita acomodar um cateter, incluindo doentes com filtros na veia cava ou outros implantes que impeçam a passagem do cateter.
- Doentes em que não é possível monitorizar a temperatura necessária.
- A hipotermia está contraindicada em doentes com doenças hematológicas que piorarão com hipotermia (p. ex., qualquer doença que produza crioglobulinemia, qualquer hemoglobinopatia em que o frio possa originar anemia hemolítica, incluindo anemia falciforme ou talassemia).
- Não se destina a ser utilizado em crianças nem em recém-nascidos.

Avisos, precauções, reações adversas

A cateterização venosa central só deve ser realizada por pessoal bem treinado e bem familiarizado com as estruturas anatómicas e as técnicas seguras. É igualmente necessário conhecer as potenciais complicações.

ADVERTÊNCIA

O cateter deve ser colocado apenas através de abordagem numa veia femoral. O cateter não deve ser colocado na aurícula direita nem no ventrículo direito. A colocação na aurícula direita ou no ventrículo direito pode resultar em lesões graves para o doente ou mesmo na sua morte.

Apenas para uso único. Este produto foi concebido para utilização única. Não reesterilize nem reutilize. Não volte a inseri-lo após ser retirado do doente. Não altere o cateter de forma alguma.

Os potenciais riscos da reutilização de um dispositivo de uso único incluem, entre outros:

- Infeção que pode acarretar risco de vida
- Choque tóxico devido à degradação de materiais
- Maior risco de trombose
- Menor potência de permuta de calor
- Falhas do dispositivo

ADVERTÊNCIA. Existe a possibilidade de ligação incorreta do cateter Icy e do kit de inicialização a outros dispositivos com conectores de pequeno calibre. Esses erros de ligação podem resultar em lesão ou morte do doente.

Precaução. Os conectores Luer personalizados presentes no cateter e no kit de inicialização podem reduzir o risco de ligações erradas, embora possam continuar a acontecer com estas aplicações em específico dos dispositivos médicos: aplicações em sistemas respiratórios e de administração de gases, aplicações entéricas e gástricas, aplicações uretrais e urinárias, aplicações para enchimento de braçadeiras de membros, aplicações neuroaxiais e aplicações intravasculares ou hipodérmicas. Seja sempre cauteloso ao ligar cateteres e kits de inicialização ZOLL a estes e outros dispositivos para aplicações médicas.

Precaução. Certifique-se de que o cateter Icy e/ou o kit de inicialização não são ligados a um dispositivo IV nem a outros dispositivos médicos.

1. O cateter deve ser colocado de modo a que a ponta distal fique na veia cava inferior, abaixo da junção com a aurícula direita, paralelo à parede do vaso. Deve ser realizada uma radiografia para garantir que o cateter não se encontra na aurícula nem no ventrículo do lado direito.
2. **Precaução.** Se se observar sangue dentro do circuito de soro fisiológico, interrompa o procedimento e verifique a presença de fugas no cateter.
3. As possíveis complicações com cateteres venosos centrais incluem: perfuração auricular ou ventricular, tamponamento cardíaco, embolia gasosa, embolia por cateter, laceração do canal torácico, bacteriemia, septicemia, trombose, punção arterial não intencional, formação de hematoma, hemorragia, lesões nervosas e disritmias.
4. Todas as tampas e ligações Luer-Lock têm de estar bem apertadas para evitar embolia gasosa ou perda de líquidos ou sangue.
5. Nunca utilize força excessiva ao movimentar o cateter ou o fio-guia. Perante resistência, deverá ser realizada uma radiografia para identificar o motivo da mesma.
6. A passagem do fio-guia para o lado direito do coração pode provocar disritmias, bloqueio do ramo direito ou perfuração da parede vascular, auricular ou ventricular.
7. Utilize apenas soro fisiológico estéril para enchimento do cateter. É o líquido em circulação no cateter.
8. O cateter deve ser frequentemente inspecionado quanto ao débito, à segurança do penso, ao posicionamento correto e à segurança das ligações Luer-Lock. Utilize as marcações em centímetros para determinar se a posição do cateter foi alterada. Um potencial risco associado a cateteres de balão multilúmen é a ausência de terapêutica, incluindo a falha em perfundir terapêutica medicamentosa através dos lúmenes de perfusão.
9. Apenas o exame radiológico poderá garantir que a ponta do cateter não entrou no coração ou que já não se encontra paralela à parede do vaso. Se a posição do cateter tiver sofrido alterações, efetue um exame radiológico para confirmar o posicionamento da ponta do cateter.
10. No caso de colheita de amostras de sangue, feche temporariamente as restantes portas de perfusão através das quais estão a ser perfundidas soluções.
11. Para colher amostras de sangue, utilize apenas uma seringa de 30 ml ou de menor capacidade.
12. O álcool e a acetona podem enfraquecer a estrutura do material da haste. Por esse motivo, deve proceder-se com cuidado ao perfundir fármacos que contenham álcool ou ao utilizar álcool ou acetona durante os cuidados e manutenção de rotina do cateter. Não deve ser utilizado álcool para remover coágulos do cateter.
13. Para evitar danos no cateter, utilize apenas o clipe e a patilha para sutura ZOLL incluídos no kit.
14. A utilização de uma seringa com uma capacidade inferior a 10 ml para irrigar ou desobstruir um cateter ocluído pode provocar fuga intraluminal ou rotura do cateter.
15. Não proceda à perfusão para dentro das conexões Luer-Lock de entrada (IN) e de saída (OUT) cor de laranja, pois resultará em falta da terapêutica.
16. A febre do doente pode ter origem infecciosa e/ou não infecciosa. A mitigação da febre como sinal de possível infeção requer uma avaliação diária e meticulosa dos outros sinais de infeção.
17. Proceda com cuidado ao perfundir fármacos que possam ser afetados por temperaturas baixas (inferiores a 4 °C). As soluções com manitol são sensíveis à temperatura e não devem ser fornecidas através do cateter, exceto para uma administração rápida de uma solução com até 20% de manitol, seguida por irrigação de soro fisiológico. A administração de manitol numa concentração superior a 20% através de uma bomba de perfusão ou linha de perfusão tem de ser efetuada através de uma linha separada.
18. Tamponamento cardíaco: a colocação de cateteres na aurícula direita é uma prática que pode resultar em perfuração e tamponamento cardíacos. Ao colocarem cateteres venosos centrais, os médicos têm de ter conhecimento desta complicação potencialmente fatal antes de inserirem o cateter excessivamente em relação à anatomia do doente. A posição real da ponta do cateter deve ser confirmada por radiografia após a inserção. Não devem ser colocados cateteres venosos centrais na aurícula direita, salvo se

especificamente exigido para procedimentos relativamente curtos como, por exemplo, a aspiração de êmbolos gasosos durante neurocirurgias. Não obstante, esses procedimentos apresentam riscos e devem ser atentamente monitorizados e controlados.

19. O cateter está revestido com heparina, o que pode induzir ou agravar casos de trombocitopenia induzida por heparina (HIT) preexistente.
20. **ADVERTÊNCIA.** Ao ligar conjuntos de perfusão/sistemas de perfusão ao cateter, não exceda os 100 psi/689 kPa.
21. No caso de doentes com hipotermia induzida, a hipotermia pode, por si só, exacerbar alguns estados patológicos. Dever-se-á ter o cuidado de monitorizar corretamente a homeostase durante a hipotermia.
 - Alterações do ritmo cardíaco — bradicardia e taquiarritmia ventricular.
 - Função da coagulação. Os doentes com risco de alterações da função da coagulação devem ser atentamente monitorizados durante a hipotermia.
 - Análise do pH e da gasometria arterial. A hipotermia modifica o pH e a PaCO₂ em repouso. Os médicos devem estar cientes do efeito da temperatura no resultado.
 - Uma hipotermia prolongada diminui a resposta imunitária e a função pulmonar.

ADVERTÊNCIA. Fuga intraluminal ou no balão. A fuga intraluminal (entre o lúmen de soro fisiológico e os lúmenes de perfusão) ou a fuga no balão é um modo de potencial falha do cateter. Perante uma falha desta natureza, é introduzido soro fisiológico estéril no doente a partir do circuito de arrefecimento. Uma fuga intraluminal ou fuga no balão está normalmente associada a um alarme de perda de líquido assim que o saco de soro fisiológico for esvaziado, parando o sistema. **Investigue sempre os alarmes do nível de líquido.** O circuito de arrefecimento é um sistema de ciclo fechado; geralmente, os alarmes de perda de líquidos indicam uma rotura numa parte deste ciclo fechado. Perante um alarme de perda de líquidos, verifique a integridade do cateter e do kit de inicialização (ver abaixo).

ADVERTÊNCIA. Se detetar um saco de soro fisiológico vazio ou um alarme do sifão, não substitua o saco de soro fisiológico antes de identificar a localização da fuga e de realizar a mitigação adequada. Verifique fugas no sistema de acordo com as instruções nas secções Verifique se existe fuga no kit de inicialização e Verifique a presença de fugas no cateter mais abaixo. (Tenha em atenção que uma fuga pode ser externa ou interna.)

Substituir repetidamente o saco de soro fisiológico sem investigar a fuga ou perda de soro fisiológico pode resultar na perfusão não intencional de soro fisiológico no doente. A perfusão de soro fisiológico pode levar aos seguintes efeitos adversos: inchaço local, que pode causar consequentes danos dos tecidos locais, acumulação sistémica de líquidos que pode originar num edema dependente e consequente ulceração cutânea, acumulação de líquido nos órgãos internos com consequente acumulação no cérebro, pulmões ou coração. Em alguns casos, esta acumulação de líquido pode levar a acontecimentos potencialmente fatais.

Precaução. A consola emite um alarme quando o saco de soro fisiológico está vazio. O saco deve estar completamente vazio e o soro fisiológico adicional deve ter sido drenado entre a ponta perfurante e o sifão para que o nível do soro fisiológico no sifão desça o suficiente para ativar o alarme.

Verifique se existe fuga no kit de inicialização

1. Verifique a condensação no sifão. Se o sifão exibir sinais de condensação, limpe o sifão e instale novamente a consola. Em caso de alarme do sifão, verifique se o alarme do sifão está limpo após este passo.
2. Verifique cuidadosamente a existência de fugas no percurso do soro fisiológico desde o saco de soro fisiológico até à consola. Verifique a presença de soro fisiológico no solo, consola ou cama do doente.

- Se existir soro fisiológico no solo, consola ou cama do doente, verifique se os conectores Luer no cateter e no kit de inicialização não estão partidos ou danificados e se as conexões estão suficientemente apertadas para evitar fugas.
- Se encontrar uma fuga no kit de inicialização, substitua-o e verifique se também existe uma fuga no cateter.
- Se não encontrar uma fuga no kit de inicialização, é provável que exista uma fuga no cateter. Analise melhor.

Verifique a presença de fugas no cateter

- Desligue o kit de inicialização do cateter. Tape devidamente o cateter e o kit de inicialização recorrendo a uma técnica asséptica.
- Encha uma seringa de ponta Slip de 10 ml com soro fisiológico estéril.
- Ligue-a ao Luer de entrada (IN) do cateter e retire a tampa do Luer de saída (OUT). Proceda à perfusão de 10 ml de soro fisiológico – deverá sair pelo Luer de saída (OUT). Se o soro fisiológico não sair pelo Luer de saída (OUT), é sinal de uma fuga no cateter.
- Tape o Luer de saída (OUT) e extraia 5 ml de vácuo. Mantenha durante pelo menos 10 segundos. Devem entrar até 4 ml de soro fisiológico (e não sangue) na seringa e deverá ser capaz de manter o vácuo. Se estiverem presentes rastros de sangue na seringa ou se não for possível manter o vácuo, é sinal de uma fuga no cateter.
- Se encontrar uma fuga no cateter, substitua-o.
- Substitua o saco de soro fisiológico e reescorva o kit de inicialização.
- Assegure-se de que as conexões Luer no kit de inicialização estão suficientemente apertadas para não ocorrerem fugas e continue a terapia.

Materiais necessários

Quantidade	Descrição
1	Kit de cateter Icy para introdução percutânea
1	Saco de 500 ml de soro fisiológico estéril (não incluído)
1	Kit de inicialização (fornecido em separado) <ul style="list-style-type: none"> Tubagem padrão de 183 cm (6 pés) ou ampliada de 274 cm (9 pés)
1	Consola Coolgard ou Thermogard (fornecidas em separado)
1	Kit de conveniência para cateter (apenas para [CO])
1	Sonda de temperatura YSI-400 (não incluída)

Preparação e inserção do cateter

Nota. O cateter apresenta uma faixa de marcação radiopaca para facilitar a sua identificação durante e após a inserção sob visualização com equipamento de radiografia. A extremidade proximal do balão proximal possui uma faixa de marcação. A ponta do cateter contém sulfato de bário, que a torna radiopaca.

Utilize uma técnica estéril.

Precaução. Os Luer-Lock de entrada (IN) e de saída (OUT) deste cateter são fabricados à medida e destinam-se a ser utilizados apenas com os kits de inicialização indicados na secção Materiais necessários.

Preparar o cateter

- Coloque o doente em supinação.
- Prepare e cubra o local de punção com um pano de campo, conforme necessário.
- Retire o cateter da embalagem com cuidado, deixando a membrana no cateter.

- Retire as tampas dos conectores Luer de entrada (IN) e de saída (OUT). Com a tampa do cateter na posição correta, encha uma seringa (5 ml ou capacidade superior) com soro fisiológico estéril e ligue-a ao Luer de entrada (IN) fêmea.

ADVERTÊNCIA. Nunca injete pressão positiva no conector de entrada (IN) com a tampa do Luer de saída (OUT) colocada.

- Injete soro fisiológico através do cateter, com cuidado, até começar a sair pelo Luer de saída (OUT).
- Com uma seringa de pelo menos 5 ml, irrigue os conectores Luer de perfusão distal, proximal e medial com soro fisiológico estéril. Clampe ou aplique tampas de injeção nos Luers de perfusão proximal e medial. Não coloque tampa no Luer distal, para permitir a passagem do fio-guia.

Precaução. Encha sempre os conectores Luer de perfusão do cateter antes de inserir o cateter no doente.

- Retire a tampa da membrana do cateter. Se sentir resistência ao remover a tampa da membrana do cateter, irrigue-a com soro fisiológico estéril. Inspeccione o cateter para garantir a purga do ar da membrana de permuta de calor. Inspeccione o cateter para verificar se existem fugas.

Precaução. Evite limpar demasiado o cateter revestido. Evite limpar o cateter com uma gaze seca, caso contrário, danificará o revestimento do cateter. Evite utilizar álcool, soluções antissépticas ou outros solventes para pré-tratar o cateter, uma vez que poderão provocar alterações imprevisíveis no revestimento, que podem afetar a segurança e o desempenho do dispositivo.

ADVERTÊNCIA. Não corte o cateter para alterar o comprimento.

Inserir o cateter

ADVERTÊNCIA. Utilize apenas a abordagem pela veia femoral.

- Crie o acesso à veia femoral recorrendo a técnicas percutâneas padrão. O acesso deve ser mantido com um fio-guia de 0,81 mm (0,032"). Ver Instruções de utilização do fio-guia.

ADVERTÊNCIA. Não tente voltar a inserir uma agulha introdutora OTN (do inglês over the needle [sobre a agulha]) parcial ou completamente retirada do respetivo cateter.

Precaução. Não utilize um fio-guia de diâmetro superior a 0,81 mm (0,032") com o cateter.

- Mantendo o fio-guia na posição correta, retire o cateter introdutor.
Precaução. Segure sempre o fio-guia com firmeza.

- Alargue o local de acesso cutâneo, mantendo o bordo cortante do bisturi afastado em relação ao fio-guia.

ADVERTÊNCIA. Não corte o fio-guia. Utilize um dilatador de vasos para alargar o local de acesso, conforme necessário. Não deixe o dilatador de vasos colocado como se de um cateter se tratasse, para minimizar o risco de possível perfuração da parede do vaso.

- Introduza a ponta do cateter sobre o fio-guia. Durante a inserção do cateter, segure o fio-guia com a firmeza adequada. Segurando o cateter perto da pele, introduza o cateter na veia. Continue a fazer avançar o cateter sobre o fio-guia, colocando os dedos junto ao balão.

- Recorrendo a marcas de centímetros no cateter como pontos de referência de posicionamento, faça avançar o cateter pelo menos até à marca mínima para garantir que a porta de perfusão proximal está no vaso.

- Mantenha o cateter à distância pretendida e retire o fio-guia. Se ocorrer resistência ao tentar retirar o fio-guia após colocação do cateter, o fio-guia pode ter ficado dobrado na ponta do cateter. Perante uma situação de resistência, faça recuar o cateter 2 cm a 3 cm em relação ao fio-guia, e tente retirar este último. Se voltar a sentir resistência, retire o fio-guia e o cateter em simultâneo.

Precaução. Não aplique força excessiva no fio-guia.

- Verifique se o fio-guia está intacto ao retirá-lo.
- Verifique o posicionamento do cateter, aplicando uma seringa no Luer de perfusão distal, e aspire até observar um fluxo livre de sangue venoso. Ligue o Luer de perfusão à linha Luer-Lock apropriada, conforme necessário. A porta de perfusão não utilizada pode ser bloqueada com a tampa de injeção, utilizando o protocolo

padrão do hospital. A tubagem possui um clampe deslizante para ocluir o fluxo através do Luer de perfusão durante as substituições da tampa de injeção e da linha.

Precaução. Para minimizar o risco de danos na tubagem devido a pressão excessiva, o clampe tem de ser aberto antes de se proceder à perfusão através do Luer.

Precaução. Não clampe nem obstrua as linhas de entrada (IN) ou de saída (OUT). Se o fizer, poderá ocorrer falha ou bloqueio da linha.

9. Fixe o cateter e coloque temporariamente um penso no local da inserção.
10. Verifique a posição da ponta do cateter através de radiografia torácica imediatamente após a colocação. A radiografia tem de mostrar o cateter na veia cava inferior com a extremidade distal do cateter paralela à parede da veia cava. Se a ponta do cateter estiver mal posicionada, reposicione-a corretamente e volte a verificar.
11. O marcador radiopaco proximal indica a extremidade proximal do balão. Garanta que o balão permanece completamente no vaso. Se o cateter estiver mal posicionado, reposicione-o e volte a verificar.
12. Fixe o cateter ao doente. Utilize as asas laterais da patilha para sutura como ponto principal de sutura para minimizar o risco de migração do cateter.
13. O clipe e a patilha para sutura ZOLL também podem ser utilizados como pontos de fixação adicionais. Certifique-se de que o corpo do cateter está fixo e não desliza.

Precaução. Utilize apenas o clipe e a patilha para sutura ZOLL incluídos no kit. O cateter pode ser danificado se forem utilizados outros cliques ou patilhas.

Precaução. Não suture diretamente no diâmetro externo do cateter para minimizar o risco de corte ou de danos no cateter, ou de impedimento do fluxo no cateter.

14. Coloque um penso no local de punção, de acordo com o protocolo do hospital. Mude o penso no local da inserção, com cuidado, recorrendo a uma técnica asséptica.
 15. Registe o comprimento da porção introduzida do cateter na ficha clínica do doente, utilizando as marcações em centímetros existentes na haste do cateter como referência. Devem ser frequentemente realizadas avaliações visuais para garantir que o cateter não se moveu.
 16. Após enchimento do kit de inicialização, ligue-o ao cateter: ligue o Luer macho do kit de inicialização ao Luer de entrada fêmea do cateter (identificado como "IN"). Ligue o Luer fêmea do kit de inicialização ao Luer de saída macho do cateter (identificado como "OUT"). Para facilitar a sua identificação, os tubos de extensão de entrada (IN) e de saída (OUT) possuem etiquetas brancas pouco apertadas com a indicação "ZOLL".
- Nota.** Os Luers de entrada (IN) e saída (OUT) do kit de inicialização estão previstos apenas para a ligação aos Luers IN e OUT do cateter e não devem ser ligados a seringas Luer Lock padrão. Para uma identificação mais fácil, apresentam conectores personalizados ZOLL cor de laranja.
17. Certifique-se de que existe uma quantidade suficiente de soro fisiológico estéril nas extremidades dos conectores Luer para permitir uma ligação sem ar. Consulte o manual de operação.

ADVERTÊNCIA. A ligação incorreta do kit de inicialização ao cateter pode resultar em falha do cateter. Não ligue os Luers do kit de inicialização (laranja) aos Luers azul, branco ou castanho.

Precaução. Não ligue o kit de inicialização à porta distal.

Precaução. Não coloque na linha torneiras que possam ser fechadas inadvertidamente. Se o fizer, poderá ocorrer falha ou bloqueio da linha.

18. Bombeie soro fisiológico através do kit de inicialização e do cateter para garantir que todas as ligações estão seguras e que não existem fugas. Purgue o eventual ar ainda existente no sistema, conforme descrito no manual de operação.

Desligar o cateter da consola

1. Interrompa a circulação de soro fisiológico através do cateter.
2. Desligue o kit de inicialização do cateter.
3. Para manter ligações estéreis, tape de imediato os conectores Luer do cateter e do kit de inicialização, utilizando tampas Luer estéreis, ou ligue os conectores Luer de entrada (IN) e de saída (OUT) um ao outro.

Voltar a ligar o cateter à consola

1. Retire as tampas Luer dos conectores Luer do cateter e do kit de inicialização. Elimine as tampas Luer ou desligue os Luers de entrada (IN) e saída (OUT) um do outro.
2. Ligue o kit de inicialização ao cateter: ligue o Luer macho do kit de inicialização ao Luer de entrada (IN) fêmea do cateter. Ligue o Luer fêmea do kit de inicialização ao Luer de saída (OUT) macho do cateter. O kit de inicialização e os Luers de entrada (IN) e de saída (OUT) do cateter são cor de laranja. Certifique-se de que existe uma quantidade suficiente de soro fisiológico estéril nas extremidades dos conectores Luer para permitir uma ligação sem ar.

ADVERTÊNCIA. A ligação incorreta do kit de inicialização ao cateter pode resultar em falha do cateter.

ADVERTÊNCIA. Não utilize os conectores Luer de entrada (IN) e saída (OUT) para portas de perfusão de linha central padrão. Destinam-se exclusivamente a ligação à consola Coolgard/Thermogard. Os conectores Luer de entrada (IN) e de saída (OUT) do kit de inicialização destinam-se exclusivamente a ligação aos conectores Luer de entrada (IN) e saída (OUT) do cateter. Para uma identificação mais fácil, apresentam conectores personalizados ZOLL cor de laranja.

Precaução. Não coloque na linha torneiras adicionais que possam ser desligadas inadvertidamente. Se o fizer, poderá ocorrer falha ou bloqueio da linha.

Remover o cateter

1. Interrompa o bombeamento de soro fisiológico através do cateter.
 2. Desligue o kit de inicialização do cateter. **Retire a tampa dos Luers de entrada (IN) e de saída (OUT) do cateter ou mantenha-os sem tampa.** Isto permitirá que o soro fisiológico residual saia do circuito. À medida que o cateter é retirado, o balão é comprimido. O soro fisiológico existente no balão tem de poder sair livremente ou o balão não se esvaziará, dificultando a remoção do cateter.
 3. Em alternativa, ligue uma seringa de 20 ml ou 25 ml ao Luer de entrada (IN) do cateter. Antes de retirar o cateter, puxe e mantenha o vácuo durante 15 segundos para permitir a remoção do soro fisiológico residual da secção do balão do cateter.
 4. Coloque o doente em supinação. Retire o penso. Retire as suturas do local da sutura.
- ADVERTÊNCIA.** Não coloque uma tampa Luer no Luer de saída (OUT).
5. Retire lentamente o cateter do doente. À medida que o cateter sai do local de punção, aplique pressão com um penso impermeável ao ar (p. ex., compressa de gaze com vaselina).

ADVERTÊNCIA. Não mova o cateter se sentir resistência. Certifique-se de que os Luers de entrada (IN) e saída (OUT) do circuito de arrefecimento NÃO estão tapados. Se estiverem tapados, destape-os, esvazie o balão e tente retirar o cateter novamente. Se continuar a sentir resistência, deverá realizar uma radiografia para identificar o motivo da mesma.

Informações de segurança sobre IRM



O Cateter de Permuta de Calor Intravasculare Icy está sujeito a um uso condicionado com RM. Um doente com este cateter pode ser examinado em segurança nas seguintes condições. O incumprimento destas condições pode causar lesões no doente.

Parâmetro	Condição
Valores nominais do campo magnético estático (T)	1,5 T e 3,0 T
Gradiente de campo espacial máximo (T/m e gauss/cm)	40 T/m (4000 gauss/cm)
Tipo de excitação de RF	Polarização circular (PC) (ou seja, por quadratura)
Informação serpentina de RF transmissora	Não se aplicam restrições de serpentinas de RF transmissoras. Em conformidade, pode usar-se o seguinte: serpentina de RF transmissora de corpo e todas as outras combinações de serpentinas de RF (ou seja, serpentina de RF de corpo combinada com qualquer serpentina de RF exclusivamente recetora, serpentina de RF transmissora/recetora de cabeça, serpentina de RF transmissora/recetora de joelho, etc.)

Parâmetro	Condição
Modo de funcionamento do sistema de RM	Modo de funcionamento normal
SAR média máxima de corpo inteiro	2-W/kg (Modo de funcionamento normal)
Limites à duração do exame	SAR média de corpo inteiro SAR de 2-W/kg durante 60 minutos de exposição contínua a RF (ou seja, por sequência de impulsos ou sequências/séries contínuas sem intervalos)
Artefacto na imagem de RM	A presença deste implante produz um artefacto na imagem. Por isso, seleccione cuidadosamente os parâmetros da sequência de impulsos se o implante estiver posicionado na zona de interesse.
ADVERTÊNCIA	As consolas Coolgard e Thermogard da ZOLL não são seguras para utilização com RM e, por isso, não são permitidas na sala do sistema de RM. Por conseguinte, o cateter tem de ser desligado da consola antes de se deslocar o doente para a sala do sistema de RM.

Instruções de utilização do fio-guia

Nota. Estas informações aplicam-se exclusivamente à utilização de fios-guia com a técnica Seldinger, para a colocação de cateteres na rede vascular.

Advertências

O fio-guia fornecido foi concebido apenas para uso único. Não reesterilize nem reutilize. Não volte a inseri-lo após ser retirado do doente.

Caso ocorra resistência durante a inserção ou a remoção, não continue a mover o fio-guia. Determine a causa por fluoroscopia e proceda conforme necessário.

Proceda com o máximo de cuidado ao passar um fio-guia através de um stent. A utilização de um fio-guia em vasos com stent acarreta um risco adicional para o doente.

Precauções

Evite retirar o fio-guia através de agulhas metálicas, pois o fio-guia pode sofrer rotura.

Devido à natureza delicada e frágil dos fios-guia, é necessário proceder com cuidado adicional durante o seu manuseamento. Evite torcê-los ou retorçê-los. Não utilize fios-guia danificados.

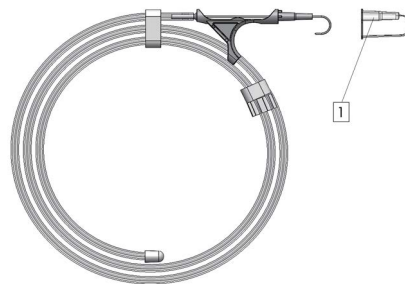
Durante o armazenamento ou procedimentos, evite enrolar o fio-guia em diâmetros inferiores a cerca de 20,32 cm (8 polegadas), uma vez que diâmetros mais pequenos exercem tensões desnecessárias no fio-guia e podem vincá-lo. O dispensador fornecido é a melhor forma de armazenar e manusear o fio-guia.

É necessário que uma extensão suficiente de fio-guia permaneça exposta para que o consiga segurar sempre com firmeza.

Dispensador

Todos os fios-guia são fornecidos numa embalagem de dispensador dentro de uma bolsa Tyvek. Retire o fio-guia da bolsa Tyvek. Retire a tampa de proteção do fio-guia imediatamente antes de o utilizar. Prepare o fio-guia antes da inserção. Recomenda-se que o dispensador seja enchido com soluções heparinizadas (p. ex., soro fisiológico ou dextrose) para banhar o fio-guia durante a inserção.

O fio-guia em "J" recuperará a forma ao ser removido do dispensador do produto.



1. Tampa de proteção do fio-guia

Inspeção

Inspeccione o fio-guia antes de o utilizar e elimine-o caso apresente deformação. Por rotina, a colocação do fio-guia deve ser monitorizada por radiografia ou fluoroscopia.

Técnica

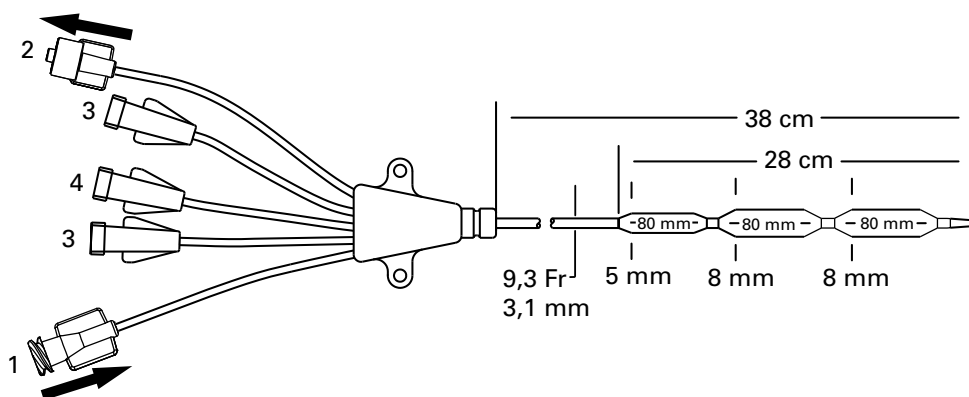
1. Proceda à punção do vaso.
2. Insira o fio-guia no conector da agulha e faça avançar suavemente 5 cm a 10 cm do fio-guia para dentro do vaso puncionado. Oriente o fio-guia até à posição pretendida.

Precaução. Evite uma manipulação demasiado vigorosa ou descuidada do fio-guia para evitar danos no fio-guia ou lesões no vaso.

3. Retire a agulha do fio-guia.
4. Dilate o tecido e o vaso com o dilatador, imprimindo um ligeiro movimento de rotação.
5. Retire o dilatador (o dilatador de vasos destina-se exclusivamente a dilatação vascular).
6. Introduza o cateter, fazendo-o deslizar sobre o fio-guia.
7. Retire o fio-guia.

Cateter Icy

1. Luer de entrada (IN)
2. Luer de saída (OUT)
3. Portas de perfusão
4. Luer distal



©2024 ZOLL Medical Corporation. Todos os direitos reservados.
ZOLL e Icy são marcas comerciais ou marcas comerciais registadas da ZOLL Medical Corporation e/ou da ZOLL Circulation Inc. nos Estados Unidos da América e/ou em outros países. Todas as marcas comerciais pertencem aos seus respetivos proprietários.

Patente: www.zoll.com/patents

Italiano (it)

Modello IC-3893AE/8700-0782-40 e IC-3893CO/8700-0782-14

Il kit del catetere intravascolare per scambio termico Icy® include:

Quantità	Descrizione
1 AE(CO)	Catetere intravascolare per scambio termico Icy 9,3 French x 38 cm Tripla Luer di infusione Clamp per linea di prolunga Stelo radiopaco Rivestimento in eparina Applause
1 AE(CO)	Filo guida da 0,032" (0,81 mm) x 75 cm
1 AE(CO)	Dilatatore per vasi 10,5 F x 0,038" (3,6 mm x 1,0 mm)
1 AE(CO)	Linguetta e clip di sutura staccabili
1 AE	Catetere ad ago interno (OTN) radiopaco da 18 ga x 2½" (1,3 mm x 63 mm)
1 AE	Siringa da 5 cc e ago da 22 ga x 1½" (0,7 mm x 38 mm)
1 AE	Telo fenestrato
1 AE	Ago da 18 ga x 2¾" (1,3 mm x 70 mm)
6 AE	Spugne di garza da 4" x 4" (10 cm x 10 cm)
1 AE	Sutura in seta 000
1 AE	Lama chirurgica da 11 con impugnatura lunga

Nota - Componenti del kit in base al modello

Ogni modello base è disponibile con un kit standard per il supporto dell'inserimento (AE) oppure senza il kit (CO). Nella tabella precedente i componenti comuni a entrambi i kit sono contrassegnati dalla dicitura AE(CO). I componenti aggiuntivi disponibili solo nel kit standard sono indicati dalla dicitura AE.

Descrizione del dispositivo

Il catetere intravascolare per scambio termico Icy ("catetere Icy" o "catetere") è un catetere sterile flessibile e monouso da 9,3 F progettato per il posizionamento nella vena cava inferiore da un sito di inserimento nella vena femorale. Il catetere Icy è progettato per il collegamento a uno Start-Up Kit ZOLL® monouso e alla famiglia di console Coolgard® o Thermogard® ("console") (tutti forniti separatamente). L'inserimento percutaneo del catetere Icy richiede un dilatatore e un filo guida. Sono disponibili tre Luer per l'infusione e il prelievo.

Porta di infusione	Portata	Volume di priming
Distale (marrone)	1700 ml/h	0,5 cc
Mediale (bianca)	900 ml/h	0,4 cc
Proximale (blu)	1200 ml/h	0,4 cc

Le superfici di contatto tra il catetere e il sangue (punta, palloncino e stelo) sono trattate con un rivestimento antitrombotico in eparina Applause.

Sterilità

Sterilizzato con ossido di etilene. Il catetere viene fornito sterile, è esclusivamente monouso e non deve essere risterilizzato. È necessario ispezionare la confezione prima dell'uso per verificare che la barriera di sterilità non sia stata compromessa.

Conservazione

Conservare in un luogo fresco e asciutto. Evitare il congelamento e il calore eccessivo.

Uso previsto

Usato insieme al sistema Coolgard o Thermogard, il catetere Icy consente la circolazione di soluzione fisiologica termocontrollata attraverso uno scambiatore di calore per raffreddare/riscaldare il sangue nei pazienti in cui siano giustificati i rischi di una linea centrale. Periodo massimo di utilizzo: 4 giorni.

Controindicazioni

1. I rischi del catetere sono essenzialmente quelli di una linea centrale. Il catetere non deve essere usato in pazienti per i quali non sia indicato il posizionamento di una linea centrale.
2. Diatesi emorragica.
3. Sepsis attiva.
4. Infezione o sanguinamento in atto presso il sito di inserimento del catetere.
5. Pazienti senza accesso vascolare o con sistema vascolare non in grado di ospitare il catetere, inclusi i pazienti con filtri cavali o altri impianti che impediscono il passaggio del catetere stesso.
6. Pazienti per i quali non sia possibile effettuare il necessario monitoraggio della temperatura.
7. L'ipotermia è controindicata nei pazienti con patologie ematologiche che possono peggiorare con l'ipotermia, ad esempio una patologia che produca eritropoietinemia, qualsiasi emoglobinopatia in cui l'anemia emolitica possa essere favorita dal freddo, comprese l'anemia falciforme e la talassemia.
8. Non destinato all'uso pediatrico o neonatale.

Avvertenze, precauzioni, reazioni avverse

Il cateterismo venoso centrale deve essere eseguito solo da personale adeguatamente formato con esperienza di punti di reperi e tecniche di sicurezza. Il personale deve inoltre essere a conoscenza delle possibili complicanze.

AVVERTENZA

Il catetere deve essere posizionato solo attraverso la vena femorale. Il catetere non deve essere posizionato nell'atrio destro o nel ventricolo destro. Il posizionamento nell'atrio destro o nel ventricolo destro può causare gravi lesioni o il decesso del paziente.

Esclusivamente monouso. Il prodotto è progettato esclusivamente per l'uso singolo. Non risterilizzare o riutilizzare. Non reinserire una volta rimosso dal paziente. Non modificare il catetere in alcun modo.

I potenziali rischi del riutilizzo di un dispositivo monouso comprendono, in via non esaustiva:

- Infezioni potenzialmente letali
- Shock tossico dovuto alla degradazione dei materiali
- Aumento del rischio di trombosi
- Riduzione della potenza di scambio di calore
- Malfunzionamenti del dispositivo

AVVERTENZA. Il catetere Icy e lo Start-Up Kit possono essere potenzialmente collegati in modo errato ad altri dispositivi con connettori di piccolo diametro. Tali errori di collegamento possono provocare lesioni o il decesso del paziente.

Attenzione. I Luer personalizzati presenti sul catetere e sullo Start-Up Kit possono ridurre il rischio di collegamenti errati, tuttavia non lo eliminano totalmente con applicazioni di questi specifici dispositivi medici: applicazioni di sistemi di respirazione e ventilazione, applicazioni enterali e gastriche, applicazioni di tipo uretrale e urinario, applicazioni con bracciali per la misurazione della pressione sanguigna, applicazioni di tipo neurassiale e applicazioni intravascolari o ipodermiche. Prestare sempre attenzione quando si collegano i cateteri e gli Start-Up Kit ZOLL a queste e ad altre applicazioni di dispositivi medici.

Attenzione. Assicurarsi che il catetere Icy e/o lo Start-Up Kit non siano collegati a una linea endovenosa o ad altri dispositivi medici.

1. Il catetere deve essere posizionato in modo che la punta distale si trovi nella vena cava inferiore sotto la giunzione con l'atrio destro e sia disposta parallelamente alla parete del vaso. Effettuare un esame radiografico per verificare che il catetere non si trovi nell'atrio o nel ventricolo destro.

2. **Attenzione.** Se si osserva la presenza di sangue nel circuito della soluzione fisiologica, interrompere la procedura e ricercare eventuali perdite del catetere.
 3. Le possibili complicanze dei cateteri venosi centrali comprendono: perforazione atriale o ventricolare, tamponamento cardiaco, embolia gassosa, embolia del catetere, lacerazione del dotto toracico, batteriemia, setticemia, trombosi, puntura arteriosa accidentale, formazione di ematomi, emorragie, danni ai nervi e aritmie.
 4. Tutti i collegamenti Luer-Lock e i tappi devono essere saldamente serrati per prevenire l'embolia gassosa o la perdita di liquidi o sangue.
 5. Non usare mai forza eccessiva nel muovere il catetere o il filo guida. Se si incontra resistenza, è necessario eseguire una radiografia per identificarne il motivo.
 6. Il passaggio del filo guida nel cuore destro può causare aritmie, blocco di branca destra, perforazione della parete del vaso, dell'atrio o del ventricolo.
 7. Per il priming del catetere usare solo normale soluzione fisiologica, ovvero il fluido circolante nel catetere stesso.
 8. Il catetere deve essere regolarmente ispezionato per verificarne la portata, la corretta posizione, la stabilità del bendaggio e i collegamenti Luer-Lock. Utilizzare le tacche centimetriche per rilevare eventuali variazioni della posizione del catetere. All'uso di cateteri a palloncino multi-lume è associato il rischio potenziale di mancata esecuzione della terapia, inclusa la mancata infusione della terapia farmacologica nei lumi di infusione.
 9. Solo l'esame radiografico è in grado di confermare che la punta del catetere non sia penetrata nel cuore o non sia più parallela alla parete del vaso. Se la posizione del catetere è cambiata, eseguire un esame radiografico per verificare la posizione della punta del catetere.
 10. Per il prelievo di sangue, chiudere temporaneamente le restanti porte attraverso le quali vengono infuse le soluzioni.
 11. Utilizzare solo una siringa da 30 cc o più piccola per i prelievi di sangue.
 12. L'alcol e l'acetone possono indebolire la struttura del materiale dello stelo. Prestare pertanto attenzione quando si infondono farmaci contenenti alcol o quando si utilizza alcol o acetone per la manutenzione di routine del catetere. Non utilizzare alcol per asportare i coaguli dal catetere.
 13. Utilizzare solo la linguetta e la clip di sutura ZOLL fornite nel kit per evitare di danneggiare il catetere.
 14. L'uso di una siringa di capacità inferiore a 10 ml per irrigare o asportare i coaguli da un catetere occluso può provocare una perdita endoluminale o la rottura del catetere.
 15. Non praticare infusioni nei collegamenti Luer-Lock IN (AFFLUSSO) e OUT (DEFLUSSO) arancioni, per evitare la mancata esecuzione della terapia.
 16. Le cause di febbre possono essere infettive e/o non infettive. La riduzione della febbre come sintomo di una possibile infezione richiede una scrupolosa valutazione quotidiana di altri sintomi di infezione.
 17. Prestare attenzione nell'infusione di farmaci che possono risentire delle basse temperature (fino a 4 °C). Le soluzioni contenenti mannitolo sono termosensibili e non devono essere infuse attraverso il catetere, fatta eccezione per l'introduzione rapida di una soluzione con una concentrazione massima di mannitolo del 20%, seguita da soluzione fisiologica. L'infusione di concentrazioni di mannitolo superiori al 20% o la somministrazione di mannitolo mediante flebo o pompe di infusione deve essere effettuata mediante una linea separata.
 18. Tamponamento cardiaco: Il posizionamento di cateteri permanenti nell'atrio destro è una pratica che può provocare la perforazione e il tamponamento cardiaco. Gli operatori che posizionano i cateteri venosi centrali devono essere consapevoli di questa complicanza potenzialmente fatale prima di far avanzare eccessivamente il catetere tenendo conto della corporatura del paziente. La posizione effettiva della punta del catetere permanente deve essere confermata mediante radiografia dopo l'inserimento. I cateteri venosi centrali non devono essere posizionati nell'atrio destro se non espressamente richiesto per particolari procedure di durata relativamente breve, ad esempio l'aspirazione di emboli durante interventi di neurochirurgia. Tali procedure comportano comunque dei rischi e devono essere attentamente monitorate e controllate.
 19. Il catetere è rivestito con eparina. Ciò può indurre o aggravare una trombocitopenia indotta da eparina (HIT) pre-esistente.
 20. **AVVERTENZA.** Quando si collegano set di infusione/sistemi di iniezione al catetere, non superare i 100 psi/689 kPa.
 21. Per i pazienti sottoposti a ipotermia, l'ipotermia in sé può aggravare alcuni stati patologici. Monitorare attentamente l'omeostasi del paziente durante l'ipotermia.
 - Alterazioni del ritmo cardiaco: sia bradicardia che tachiaritmia ventricolare.
 - Funzione di coagulazione. I pazienti a rischio di disturbi della funzione di coagulazione devono essere attentamente monitorati durante l'ipotermia.
 - Emogasanalisi e analisi del pH. L'ipotermia modifica il pH e la PaCO₂ a riposo. I medici devono essere consapevoli dell'effetto della temperatura sul risultato di tali test.
 - L'ipotermia prolungata deprime la risposta immunitaria e la funzione polmonare.
- AVVERTENZA. Perdita endoluminale o del palloncino.** Le perdite endoluminali (tra il lume della soluzione fisiologica e i lumi di infusione) o le perdite del palloncino rappresentano un potenziale malfunzionamento del catetere. In tale circostanza, la soluzione fisiologica sterile del circuito refrigerante viene introdotta nel paziente. Le perdite endoluminali o le perdite del palloncino sono tipicamente associate a un allarme di perdita di fluidi una volta che la sacca di soluzione fisiologica si esaurisce. Il sistema viene arrestato. **Verificare sempre le cause degli allarmi relativi ai livelli dei fluidi.** Il circuito refrigerante è un sistema a circuito chiuso; gli allarmi di perdita di fluidi indicano di norma una rottura in un punto qualsiasi del circuito chiuso. In presenza di qualsiasi allarme di perdita di fluidi, verificare sia l'integrità del catetere che dello Start-Up Kit (vedere di seguito).
- AVVERTENZA.** Se si nota l'esaurimento della sacca di soluzione fisiologica o un allarme della trappola per l'aria, non sostituire la sacca di soluzione fisiologica prima di aver identificato la posizione della perdita e di aver posto in essere le misure di mitigazione appropriate. Ricercare le perdite nel sistema secondo le istruzioni riportate nelle sezioni Ricercare una perdita dello Start-Up Kit e Ricercare una perdita del catetere di seguito. Si noti che una perdita può essere esterna o interna.
- La ripetuta sostituzione della sacca di soluzione fisiologica senza aver individuato eventuali perdite può provocare un'infusione involontaria di soluzione fisiologica nel paziente. L'infusione di soluzione fisiologica può comportare i seguenti effetti avversi: gonfiore localizzato con conseguenti danni ai tessuti locali; sovraccarico sistemico di liquidi che può comportare edema dipendente e successivamente fessurazione della cute; eccesso di liquidi negli organi interni con conseguente sovraccarico di cervello, polmoni o cuore. In alcuni casi, questo sovraccarico di liquidi può portare a eventi potenzialmente fatali.
- Attenzione.** La console emette un allarme quando la sacca di soluzione fisiologica è vuota. La sacca deve essere completamente vuota e la soluzione fisiologica supplementare deve essere esaurita tra l'innesto della linea e la trappola per l'aria affinché il livello di soluzione fisiologica nella trappola per l'aria scenda a sufficienza per far scattare l'allarme.
- Ricercare una perdita dello Start-Up Kit**
1. Verificare se la trappola per l'aria presenta condensa. Se la trappola per l'aria mostra segni di condensa, asciugare la trappola e reinstallarla nella console. Nel caso di un allarme della trappola per l'aria, accertarsi che l'allarme cessi dopo questa azione.
 2. Ispezionare accuratamente il percorso della soluzione fisiologica dalla sacca alla console per individuare eventuali perdite. Verificare se è presente soluzione fisiologica sul pavimento, sulla console o sul letto del paziente.
 3. Se è presente soluzione fisiologica sul pavimento, sulla console o sul letto del paziente, controllare che i Luer del catetere e dello Start-Up Kit non siano incrinati o danneggiati e che i collegamenti siano abbastanza serrati da evitare perdite.
 4. Se si individua una perdita nello Start-Up Kit, sostituirlo e verificare se vi sono perdite anche nel catetere.
 5. Se non si rilevano perdite nello Start-Up Kit, è probabile che la perdita si trovi nel catetere. Proseguire la ricerca.

Ricerca di una perdita del catetere

1. Scollegare lo Start-Up Kit dal catetere. Tappare adeguatamente il catetere e lo Start-Up Kit utilizzando una tecnica asettica.
2. Riempire una siringa sterile Luer-slip da 10 mL con soluzione fisiologica sterile.
3. Collegare la siringa al Luer IN del catetere e scollegare il cappuccio OUT. Infondere 10 mL di soluzione fisiologica, che dovrà fuoriuscire dal Luer OUT. Se la soluzione fisiologica non fuoriesce dal Luer OUT, è presente una perdita nel catetere.
4. Tappare il Luer OUT e aspirare 5 cc, mantenendo l'aspirazione per almeno 10 secondi. Nella siringa dovranno entrare fino a 4 mL di soluzione fisiologica (non sangue) e deve essere possibile mantenere il vuoto. Se si notano tracce di sangue nella siringa o se è impossibile mantenere il vuoto, è presente una perdita nel catetere.
5. Se si individua una perdita nel catetere, sostituirlo.
6. Sostituire la sacca di soluzione fisiologica ed effettuare di nuovo il priming dello Start-Up Kit.
7. Assicurarsi che i collegamenti Luer allo Start-Up Kit siano serrati e proseguire la terapia.

Materiale necessario

Quantità	Descrizione
1	Kit del catetere Icy per l'introduzione percutanea
1	Sacca di normale soluzione fisiologica sterile da 500 cc (non fornita in dotazione)
	Start-Up Kit (fornito separatamente)
1	<ul style="list-style-type: none">• Tubo standard da 183 cm (6 piedi) oppure• Tubo lungo da 274 cm (9 piedi)
1	Console Coolgard o Thermogard (fornita separatamente)
1	Kit di accessori per il catetere [solo per (CO)]
1	Sonda di temperatura YSI-400 (non fornita in dotazione)

Preparazione e inserimento del catetere

Nota. Il catetere presenta un marker a fascia radiopaco utile all'identificazione del catetere durante e dopo l'inserimento nella visualizzazione con apparecchiature a raggi X. L'estremità prossimale del palloncino prossimale è dotata di un marker a fascia. La punta del catetere contiene solfato di bario che la rende radiopaca.

Usare una tecnica sterile.

Attenzione. I collegamenti Luer-Lock IN e OUT presenti su questo catetere sono fabbricati su misura e concepiti per essere collegati esclusivamente allo Start-Up Kit indicato nella sezione Materiale necessario.

Preparazione del catetere

1. Mettere il paziente in posizione supina.
2. Preparare il sito di puntura e applicarvi il telo.
3. Estrarre attentamente il catetere dalla confezione lasciando la membrana.
4. Togliere i tappi dai Luer IN e OUT. Con il cappuccio del catetere in sede, riempire la siringa da almeno 5 cc con soluzione fisiologica sterile e collegarla al Luer IN femmina.

AVVERTENZA. Non iniettare mai pressione positiva nel Luer IN con il tappo Luer OUT applicato.

5. Iniettare delicatamente la soluzione fisiologica attraverso il catetere finché non inizia a fuoriuscire dal Luer OUT.
6. Utilizzando una siringa da almeno 5 cc, irrigare i Luer di infusione distale, prossimale e mediale con soluzione fisiologica sterile. Clampare o applicare i tappi da iniezione ai Luer di infusione prossimale e mediale. Lasciare il Luer distale senza tappo per il passaggio del filo guida.

Attenzione. Eseguire sempre il priming dei Luer di infusione del catetere prima dell'inserimento del catetere nel paziente.

7. Rimuovere la membrana che copre il catetere. Se si incontra resistenza nella rimozione della membrana dal catetere, irrigare la membrana con soluzione fisiologica sterile. Ispezionare il catetere per verificare che l'aria sia stata eliminata dalla membrana per scambio termico. Verificare l'eventuale presenza di perdite nel catetere.

Attenzione. Evitare di strofinare eccessivamente il catetere rivestito. Evitare di strofinare il catetere con garza asciutta, in quanto questa operazione può danneggiare il rivestimento. Evitare l'uso di alcool, soluzioni antisettiche o altri solventi per pretrattare il catetere, in quanto ciò potrebbe causare modifiche imprevedibili del rivestimento e di conseguenza compromettere la sicurezza e le prestazioni del dispositivo.

AVVERTENZA. Non tagliare il catetere per modificarne la lunghezza.

Inserimento del catetere

AVVERTENZA. Utilizzare esclusivamente l'approccio femorale.

1. Ottenere l'accesso venoso femorale con tecniche percutanee standard. L'accesso deve essere mantenuto con un filo guida da 0,032" (0,81 mm). Vedere le Istruzioni per l'uso del filo guida.
AVVERTENZA. Non tentare di reinserire l'ago per introduttori OTN ("Over The Needle") parzialmente o completamente reintrodotto dal catetere.
Attenzione. Non utilizzare fili guida superiori a 0,032" (0,81 mm) con il catetere.
2. Tenendo il filo guida in posizione, rimuovere il catetere introduttore.
Attenzione. Mantenere sempre una presa salda sul filo guida.
3. Allargare il sito cutaneo di puntura con il tagliente del bisturi rivolto nella direzione opposta rispetto al filo guida.
AVVERTENZA. Non tagliare il filo guida. Utilizzare il dilatatore per vasi per allargare il sito secondo le esigenze. Non lasciare il dilatatore per vasi inserito come catetere permanente, per ridurre al minimo il rischio di perforazione della parete del vaso.
4. Far passare la punta del catetere sul filo guida. Mantenere una presa sufficientemente salda sul filo guida durante l'inserimento del catetere. Far avanzare il catetere nella vena afferrando la punta vicino alla cute. Continuare a far avanzare il catetere sul filo guida, posizionando le dita in posizione appena prossimale rispetto al palloncino.
5. Utilizzando le tacche centimetriche sul catetere come punti di riferimento per il posizionamento, far avanzare il catetere fino ad almeno il numero minimo per assicurare che la porta di infusione prossimale si trovi nel vaso.
6. Mantenere il catetere alla profondità desiderata e rimuovere il filo guida. Se si incontra resistenza quando si tenta di rimuovere il filo guida dopo il posizionamento del catetere, è possibile che il filo di guida sia attorcigliato sulla punta del catetere. Se si incontra resistenza, ritirare il catetere di circa 2-3 cm rispetto al filo guida e tentare di rimuovere il filo guida stesso. Se si incontra ancora resistenza, rimuovere il filo guida e il catetere contemporaneamente.
Attenzione. Non applicare forza eccessiva al filo guida.
7. Verificare che il filo guida sia intatto al momento della rimozione.
8. Verificare il posizionamento nel catetere collegando una siringa al Luer di infusione distale e aspirare fino a osservare un flusso libero di sangue venoso. Collegare il Luer di infusione alla linea Luer-Lock corrispondente. La porta di infusione non utilizzata può essere "bloccata" con un tappo da iniezione utilizzando il protocollo ospedaliero standard. Sul tubo è presente una clamp scorrevole per occludere il flusso attraverso il Luer di infusione durante la sostituzione della linea e del tappo da iniezione.
Attenzione. Per ridurre al minimo il rischio di danni al tubo derivanti dalla pressione eccessiva, è necessario aprire la clamp prima di procedere all'infusione attraverso il Luer.
Attenzione. Non clampare né occludere le linee IN e OUT. Ciò può causare il blocco della linea e possibili malfunzionamenti.

9. Fissare e bendare provvisoriamente il sito di inserimento e il catetere.
10. Verificare la posizione della punta del catetere mediante radiografia del torace subito dopo il posizionamento. L'esame radiografico deve mostrare il catetere situato nella vena cava inferiore con l'estremità distale del catetere parallela alla parete della vena cava. Se la punta del catetere non è posizionata correttamente, riposizionare e verificare di nuovo.
11. Il marker radiopaco prossimale indica l'estremità prossimale del palloncino. Accertarsi che il palloncino si trovi completamente nel vaso. Se il catetere non è posizionato correttamente, riposizionarlo e verificare di nuovo.
12. Fissare il catetere al paziente. Utilizzare le ali laterali della linguetta di sutura come sito di sutura principale per ridurre al minimo il rischio di migrazione del catetere.
13. È inoltre possibile utilizzare la linguetta e la clip di sutura ZOLL come ulteriore punto di attacco. Assicurarsi che il corpo del catetere sia fissato e non scivoli.

Attenzione. Utilizzare solo la linguetta e la clip di sutura ZOLL fornite nel kit. L'impiego di altre linguette o clip può provocare danni al catetere.

Attenzione. Non suturare direttamente sul diametro esterno del catetere per ridurre al minimo il rischio di tagliarlo, danneggiarlo o di impedirne il flusso al suo interno.

14. Bendare il sito di puntura secondo il protocollo ospedaliero. Preservare il sito di inserimento cambiando regolarmente il bendaggio mediante una tecnica asettica.
15. Annotare la lunghezza del catetere permanente nella cartella clinica del paziente utilizzando come riferimento le tacche centimetriche poste sullo stelo del catetere stesso. È necessaria una frequente rivalutazione visiva per garantire che il catetere non si sia mosso.
16. Collegare al catetere uno Start-Up Kit su cui sia stato eseguito il priming: collegare il Luer maschio dello Start-Up Kit al Luer IN femmina del catetere (indicato con "IN"). Collegare il Luer femmina dello Start-Up Kit al Luer OUT maschio del catetere (indicato con "OUT"). Sui tubi di prolunga IN e OUT sono apposte etichette bianche "ZOLL" che ne semplificano l'identificazione.

Nota. I collegamenti Luer IN e OUT dello Start-Up Kit sono progettati per essere collegati esclusivamente ai Luer IN e OUT del catetere e non alle siringhe Luer Lock standard. Sono dotati di raccordi ZOLL personalizzati e sono facilmente identificabili tramite il colore arancione.

17. Assicurarsi che sia presente una quantità sufficiente di soluzione fisiologica sterile alle estremità dei Luer per realizzare un collegamento privo di aria. Consultare il manuale operativo.

AVVERTENZA. Se lo Start-Up Kit non viene collegato correttamente al catetere, quest'ultimo può mostrare dei malfunzionamenti. Non collegare i Luer dello Start-Up Kit (arancione) ai Luer blu, bianco o marrone.

Attenzione. Non collegare lo Start-Up Kit alla porta distale.

Attenzione. Non applicare rubinetti di arresto che possano essere chiusi accidentalmente. Ciò può causare il blocco della linea e possibili malfunzionamenti.

18. Erogare la soluzione fisiologica attraverso lo Start-Up Kit e il catetere per verificare che tutti i collegamenti siano saldi e che non vi siano perdite. Eliminare l'aria rimasta nel sistema come descritto nel manuale operativo.

Scollegamento del catetere dalla console

1. Interrompere la circolazione di soluzione fisiologica attraverso il catetere.
2. Scollegare lo Start-Up Kit dal catetere.
3. Per mantenere i collegamenti sterili, chiudere immediatamente i connettori Luer del catetere e dello Start-Up Kit utilizzando tappi Luer sterili, oppure collegare i Luer IN e OUT tra loro.

Ricollegamento del catetere alla console

1. Rimuovere i tappi Luer dai connettori Luer del catetere e dello Start-Up Kit. Gettare i tappi Luer oppure scollegare i Luer IN e OUT l'uno dall'altro.
2. Collegare lo Start-Up Kit al catetere: collegare il Luer maschio dello Start-Up Kit al Luer IN femmina del catetere. Collegare il Luer femmina dello Start-Up Kit al Luer OUT maschio del catetere. I Luer IN e OUT dello Start-Up Kit e del catetere sono di colore arancione. Assicurarsi che sia presente una quantità sufficiente di soluzione fisiologica sterile alle estremità dei Luer per realizzare un collegamento privo di aria.

AVVERTENZA. Se lo Start-Up Kit non viene collegato correttamente al catetere, quest'ultimo può mostrare dei malfunzionamenti.

AVVERTENZA. Non usare i raccordi Luer IN e OUT come porte di infusione di linea centrale standard. Questi raccordi sono destinati esclusivamente al collegamento con la console Coolgard/Thermogard. I collegamenti Luer IN e OUT dello Start-Up Kit sono previsti per essere collegati esclusivamente ai Luer IN e OUT del catetere. Sono dotati di raccordi ZOLL personalizzati e sono facilmente identificabili tramite il colore arancione.

Attenzione. Non applicare ulteriori rubinetti di arresto che possano essere chiusi accidentalmente. Ciò può causare il blocco della linea e possibili malfunzionamenti.

Rimozione del catetere

1. Arrestare il pompaggio di soluzione fisiologica attraverso il catetere.
2. Scollegare lo Start-Up Kit dal catetere. **Togliere il tappo o lasciare stappati i Luer IN e OUT del catetere.** Ciò consentirà la fuoriuscita della soluzione fisiologica residua nel circuito. Con il ritiro del catetere, i palloncini vengono compressi. La soluzione fisiologica all'interno del palloncino deve essere libera di fuoriuscire. In caso contrario, il palloncino non si sgonfierà, rendendo difficoltosa la rimozione del catetere.
3. Collegare eventualmente una siringa da 20 o 25 cc al Luer IN del catetere. Creare e mantenere il vuoto per 15 secondi per permettere la fuoriuscita della soluzione fisiologica residua dalla sezione a palloncino del catetere prima di rimuovere il catetere.
4. Mettere il paziente in posizione supina. Rimuovere il bendaggio. Rimuovere i punti di sutura dal sito.

AVVERTENZA. Non applicare un tappo Luer al Luer OUT.

5. Estrarre lentamente il catetere dal paziente. Durante la fuoriuscita del catetere, applicare pressione con un bendaggio impermeabile all'aria, ad esempio una garza impregnata di vaselina.

AVVERTENZA. Non muovere il catetere se si avverte resistenza. Verificare che i Luer IN e OUT del circuito refrigerante NON siano tappati. Se sono tappati, togliere il tappo, sgonfiare il palloncino e provare nuovamente a rimuovere il catetere. Se si incontra ancora resistenza, è necessario eseguire una radiografia per identificarne il motivo.

Informazioni sulla sicurezza della risonanza magnetica



Il catetere intravascolare per scambio termico Icy è a compatibilità RM condizionata. Un paziente con questo catetere può essere sottoposto a un'indagine di risonanza magnetica in sicurezza nelle seguenti condizioni. Il mancato rispetto di queste condizioni può provocare lesioni al paziente.

Parametro	Condizione
Valori nominali del campo magnetico statico (T)	1,5 T e 3,0 T
Gradiente spaziale di campo massimo (T/m e gauss/cm)	40 T/m (4.000 gauss/cm)
Tipo di eccitazione RF	Polarizzata circolarmente (CP) (ovvero basata su quadratura)
Informazioni sulle bobine di trasmissione RF	Non vi sono limitazioni per quanto riguarda le bobine di trasmissione RF. È pertanto possibile utilizzare bobine di trasmissione RF per il corpo e tutte le altre combinazioni di bobine RF (ovvero bobine RF per il corpo in combinazione con qualsiasi bobina RF di sola ricezione, bobine RF di trasmissione/ricezione per la testa, bobine RF di trasmissione/ricezione per il ginocchio e così via)

Parametro	Condizione
Modalità di funzionamento del sistema RM	Modalità di funzionamento normale
SAR massimo mediato su tutto il corpo	2 W/kg (modalità di funzionamento normale)
Limiti di durata della scansione	SAR mediato su tutto il corpo di 2 W/kg per 60 minuti di esposizione continua a RF (ovvero per sequenza di impulsi o sequenze/serie back to back senza pause)
Artefatto delle immagini RM	La presenza di questo impianto produce un artefatto di imaging. Selezionare pertanto con attenzione i parametri della sequenza di impulsi se l'impianto è situato nell'area di interesse.
AVVERTENZA	Le console ZOLL Coolgard e Thermogard non sono compatibili con la RM e, pertanto, non sono ammesse nella sala in cui è presente il sistema RM. Il catetere deve essere scollegato dalla console prima di trasferire il paziente nella sala in cui si trova il sistema RM.

Istruzioni per l'uso del filo guida

Nota. Queste informazioni sono valide solo per l'utilizzo di fili guida nella tecnica di Seldinger di posizionamento del catetere nel sistema vascolare.

Avvertenze

Il filo guida fornito in dotazione è monouso. Non risterilizzare o riutilizzare. Non reinserire una volta rimosso dal paziente.

In caso di resistenza durante l'inserimento o il ritiro, non continuare a muovere il filo guida. Determinare la causa mediante fluoroscopia e intervenire di conseguenza.

Prestare la massima attenzione quando si muove un filo guida attraverso uno stent. L'uso di un filo guida nei vasi con stent comporta ulteriori rischi per il paziente.

Attenzione

Evitare di ritirare il filo guida attraverso aghi metallici perché potrebbe tranciarsi.

A causa della natura delicata e fragile dei fili guida, è necessario prestare la massima attenzione nella manipolazione. Evitare di piegare o attorcigliare. Non utilizzare fili guida danneggiati.

Per la conservazione o durante le procedure, avvolgere il filo guida formando bobine con diametro di almeno 8" (20,32 cm), in quanto diametri inferiori a tale valore possono sottoporre il filo guida a sollecitazioni superflue che potrebbero provocarne il piegamento. Il dispenser fornito rappresenta il modo migliore per conservare e manipolare il filo guida.

È necessario che rimanga esposto un tratto sufficiente del filo guida per mantenere sempre una presa salda sul filo guida stesso.

Dispenser

Ciascun filo guida viene fornito in una confezione dispenser all'interno di una busta in Tyvek. Estrarre il filo guida dalla busta in Tyvek. Rimuovere il cappuccio di protezione del filo guida appena prima di usare il filo. Preparare il filo guida prima dell'inserimento. Si raccomanda di riempire il dispenser con soluzioni eparinate (fisiologica o destrosio) per bagnare il filo guida durante l'inserimento.

Il filo guida a "J" preformato riprenderà la forma una volta estratto dal dispenser del prodotto.



1. Cappuccio di protezione del filo guida

Ispezione

Ispezionare il filo guida prima di utilizzarlo e gettarlo nel caso siano presenti deformità. Il posizionamento del filo guida deve essere regolarmente monitorato mediante radiografia o fluoroscopia.

Tecnica

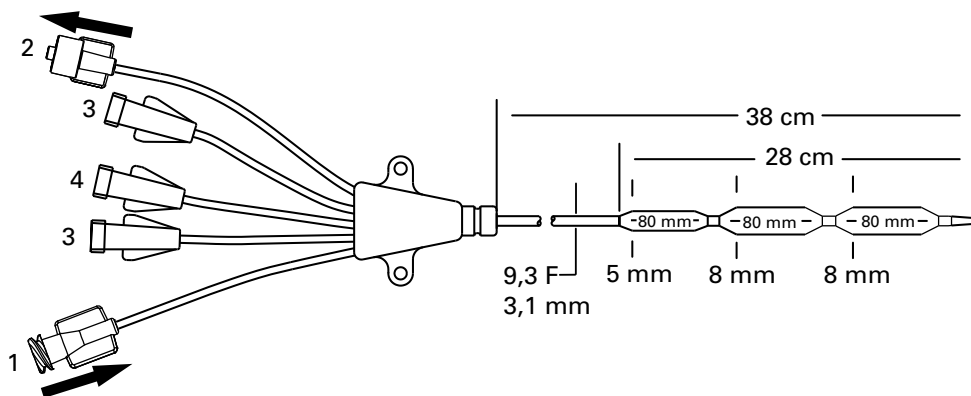
1. Perforare il vaso.
2. Inserire il filo guida nel cono dell'ago e far avanzare delicatamente 5-10 cm del filo guida nel vaso. Portare il filo guida nella posizione desiderata.

Attenzione. Evitare di manipolare il filo guida con forza eccessiva per evitare danni alla guida o al vaso.

3. Rimuovere l'ago dal filo guida.
4. Dilatare il tessuto e il vaso con il dilatatore usando un leggero movimento rotatorio.
5. Rimuovere il dilatatore (il dilatatore per vasi è destinato esclusivamente alla dilatazione vascolare).
6. Introdurre il catetere facendolo scorrere sul filo guida.
7. Rimuovere il filo guida.

Catetere Icy

1. Luer IN
2. Luer OUT
3. Porte di infusione
4. Luer distale



©2024 ZOLL Medical Corporation. Tutti i diritti riservati. ZOLL e Icy sono marchi commerciali o registrati di ZOLL Medical Corporation e/o ZOLL Circulation, Inc. negli Stati Uniti e/o in altri Paesi. Tutti i marchi commerciali sono di proprietà dei rispettivi titolari.

Brevetto: www.zoll.com/patents

Nederlands (nl)

Model IC-3893AE/8700-0782-40 en IC-3893CO/8700-0782-14

De Icy® intravasculaire warmtewisselingskatheterkit omvat:

Aantal	Beschrijving
1 AE(CO)	Icy intravasculaire warmtewisselingskatheter 9,3 Fr x 38 cm drie infuusluers klemmen verlengslang radiopake schacht Applause-heparinecoating
1 AE(CO)	voerdraad 0,032 inch (0,81 mm) x 75 cm
1 AE(CO)	vaatdilator 10,5 Fr x 0,038 inch (3,6 mm x 1,0 mm)
1 AE(CO)	afneembare hechttab en -clip
1 AE	18 gauge x 2,5 inch (1,3 mm x 63 mm) radiopake over-de-naald katheter (OTN-katheter)
1 AE	5ml-spuut en 22 gauge x 1,5 inch (0,7 mm x 38 mm) naald
1 AE	doek met venster
1 AE	18 gauge x 2,75 inch (1,3 mm x 70 mm) naald
6 AE	4 inch x 4 inch (10 cm x 10 cm) gaasdeppers
1 AE	000 zijden hecht draad
1 AE	chirurgisch mes nr. 11 met lang heft

Opmerking – Kitonderdelen volgens model

Elk basismodel is verkrijgbaar met ofwel de standaardkit die de inbrenging vergemakkelijkt (AE) of zonder de standaardkit die de inbrenging vergemakkelijkt (CO). De onderdelen die in beide kits voorkomen, zijn in bovenstaande tabel aangeduid als AE(CO). De aanvullende onderdelen die alleen in de standaardkit te vinden zijn, zijn aangeduid als AE.

Beschrijving van het hulpmiddel

De Icy intravasculaire warmtewisselingskatheter ('Icy-katheter' of 'katheter') is een steriele, flexibele katheter van 9,3 Fr voor eenmalig gebruik die via een insteekplaats in de vena femoralis in de vena cava inferior wordt geplaatst. De Icy-katheter is bestemd voor aansluiting op een disposable ZOLL®-opstartkit voor eenmalig gebruik en op de Coolgard®- of Thermogard®-consoles ('console') (alle afzonderlijk verkrijgbaar). Een dilator en voerdraad zijn nodig om de Icy-katheter percutaan in te brengen. Drie luers zijn beschikbaar voor infusie en monsterafname.

Infuuspoort	Flowsnelheid	Primevolume
Distale poort (bruin)	1700 ml/uur	0,5 ml
Mediale poort (wit)	900 ml/uur	0,4 ml
Proximale poort (blauw)	1200 ml/uur	0,4 ml

De oppervlakken van de katheter die in contact komen met bloed (tip, ballon en schacht), zijn behandeld met een antitrombotische Applause-heparinecoating.

Steriliteit

Gesteriliseerd door middel van ethyleenoxide. De katheter wordt steriel geleverd en is uitsluitend bestemd voor eenmalig gebruik en mag niet opnieuw worden gesteriliseerd. Vóór gebruik moet de verpakking worden geïnspecteerd om te waarborgen dat de steriliteitsbarrière intact is.

Bewaren

Koel en droog bewaren. Voorkom bevriezing en extreme hitte.

Beoogd gebruik

De Icy-katheter in combinatie met het Coolgard- of Thermogardstelsel maakt het mogelijk om een temperatuurgeregelde fysiologische zoutoplossing door een warmtewisselaar te laten circuleren voor de afkoeling/verwarming van het bloed van patiënten voor wie de risico's van een centrale lijn aanvaardbaar zijn. Maximale gebruiksduur: 4 dagen.

Contra-indicaties

1. De risico's van de katheter zijn in wezen dezelfde als de risico's van een centrale lijn. De katheter mag niet worden gebruikt bij patiënten bij wie het plaatsen van een centrale lijn niet is geïndiceerd.
2. Hemorragische diathese.
3. Actieve sepsis.
4. Infectie of actieve bloeding op de plaats waar de katheter is ingebracht.
5. Patiënten bij wie geen toegang tot het vaatstelsel kan worden verkregen of van wie het vaatstelsel niet geschikt is voor een katheter, zoals patiënten met vena cava-filters of andere implantaten die de passage van de katheter belemmeren.
6. Patiënten voor wie de noodzakelijke temperatuurbewaking niet tot stand kan worden gebracht.
7. Hypothermie is gecontra-indiceerd bij patiënten met hematologische aandoeningen die verergerd worden bij hypothermie (bijv. aandoeningen die cryoglobulinemie teweegbrengen en hemoglobinopathie waarbij hemolytische anemie kan worden versneld door koude, met inbegrip van sikkelcelziekte of thalassemie).
8. Niet bedoeld voor gebruik bij kinderen of pasgeborenen.

Waarschuwingen, voorzorgsmaatregelen, ongewenste reacties

Centraal-veneuze katheterisatie mag uitsluitend worden uitgevoerd door goed opgeleide medewerkers die goed bedreven zijn in anatomische oriëntatiepunten en een veilige techniek. Medewerkers moeten ook kennis hebben van de potentiële complicaties.

WAARSCHUWING

De katheter mag uitsluitend via de vena femoralis worden geplaatst. De katheter mag niet in het rechteratrium of rechterventrikel worden geplaatst. Plaatsing in het rechteratrium of rechterventrikel kan tot ernstig letsel of overlijden van de patiënt leiden.

Uitsluitend voor eenmalig gebruik. Het product is uitsluitend bestemd voor eenmalig gebruik. Niet opnieuw steriliseren of opnieuw gebruiken. Niet opnieuw inbrengen na verwijdering uit de patiënt. De katheter mag op geen enkele wijze worden gewijzigd.

De mogelijke risico's bij hergebruik van een hulpmiddel voor eenmalig gebruik zijn onder meer, zonder beperking:

- mogelijk levensbedreigende infectie
- toxische shock als gevolg van afbraak van materialen
- verhoogd risico van trombose
- minder warmtewisselingsvermogen
- defecten van het hulpmiddel

WAARSCHUWING. De Icy-katheter en de opstartkit kunnen verkeerd worden aangesloten op andere hulpmiddelen met connectors met kleine doorsnede. Dergelijke foutieve aansluitingen kunnen tot letsel of overlijden van de patiënt leiden.

Let op. De speciale luers op de katheter en opstartkit kunnen de kans op foutieve aansluiting verkleinen, maar er bestaat nog steeds een mogelijkheid tot verkeerd aansluiten bij de volgende specifieke apparaattoepassingen: toepassingen inzake ademhalingsystemen en toediening van gassen, enterale en gastrische toepassingen, urethrale en urinewegtoepassingen, vultoeepassingen voor ledemaatmanchetter, neuraxiale toepassingen en intravasculaire of hypodermische toepassingen. Wees altijd voorzichtig wanneer u ZOLL-katheters en opstartkits aansluit op deze en andere medische apparaattoepassingen.

Let op. Zorg ervoor dat de Icy-katheter en/of de opstartkit niet worden aangesloten op een IV of een ander medisch hulpmiddel.

- De katheter moet zodanig worden gepositioneerd dat de distale tip van de katheter zich in de vena cava inferior bevindt, en wel onder de plaats waar de vena cava inferior uitmondt in het rechteratrium en parallel aan de vaatwand. Er moet aan de hand van röntgenonderzoek worden vastgesteld dat de katheter zich niet in het rechteratrium of rechterventrikel bevindt.
- Let op.** Staak de procedure als bloed in het circuit van de fysiologische zoutoplossing wordt waargenomen en controleer op lekken van de katheter.
- Mogelijke complicaties bij centraalveneuze katheters zijn onder meer: atrium- of ventrikelperforatie, harttamponnade, luchtembolie, katheterembolie, laceratie van de ductus thoracicus, bacteriëmie, septicemie, trombose, onbedoelde arteriepunctie, hematoomvorming, hemorrhagie, zenuwletsel en ritmestoornissen.
- Alle luerlockaansluitingen en -doppen moeten goed aangedraaid zijn om luchtembolie of vloeistof- of bloedverlies te voorkomen.
- Gebruik nooit overmatige kracht bij het verplaatsen van de katheter of de voerdraad. Als weerstand wordt ondervonden, moet een röntgenfoto worden gemaakt om de oorzaak van de weerstand te vinden.
- Passage van de voerdraad tot in de rechterhelft van het hart kan ritmestoornissen, rechterbundeltakblok of vaatwand-, atrium- of ventrikelperforatie veroorzaken.
- Gebruik uitsluitend steriele fysiologische zoutoplossing om de katheter te primen. Dit is de vloeistof die in de katheter circuleert.
- De katheter moet regelmatig worden geïnspecteerd op flowsnelheid, goede bevestiging van het verband, correcte katheterpositie en goed aangedraaide luerlockaansluitingen. Bepaal aan de hand van de centimeterstreepjes of de positie van de katheter is veranderd. Een mogelijk risico van ballonkatheters met meerdere lumina is dat de patiënt geen therapie krijgt, bijvoorbeeld omdat het geneesmiddel niet door de infuuslumina wordt geïnfundueerd.
- Er kan alleen door middel van röntgenonderzoek worden bevestigd dat de kathetertip het hart niet is binnengekomen of zich niet langer parallel aan de vaatwand bevindt. Als de positie van de katheter is veranderd, moet een röntgenonderzoek worden uitgevoerd om de positie van de kathetertip te bevestigen.
- Sluit bij afname van bloedmonsters tijdelijk de resterende infuuspooten waarlangs oplossingen worden geïnfundueerd.
- Gebruik uitsluitend een spuit van 30 ml of kleiner om bloedmonsters af te nemen.
- Alcohol en aceton kunnen de structuur van het schachtmateriaal verzwakken. Wees daarom voorzichtig bij het infunderen van alcoholhoudende geneesmiddelen of bij gebruik van alcohol of aceton bij de routinematige zorg en het routinematige onderhoud van de katheter. Er mag geen alcohol worden gebruikt om klonters uit de katheter te verwijderen.
- Gebruik uitsluitend de ZOLL-hechttab en -clip uit de kit om beschadiging van de katheter te voorkomen.
- Gebruik van een spuit kleiner dan 10 ml om een verstopte katheter te irrigeren of van klonters te ontdoen, kan tot intraluminale lekkage of katheterbreuk leiden.
- Infundeer niet door de oranje IN- en OUT-luerlockaansluitingen, omdat de patiënt op die manier geen therapie krijgt.
- Koorts kan een infectieuze en/of niet-infectieuze oorzaak hebben bij patiënten. De mitigatie van koorts als teken van mogelijke infectie maakt het nodig dagelijks een uiterst nauwgezette beoordeling van andere tekenen van infectie uit te voeren.
- Voorzichtigheid is geboden bij het infunderen van geneesmiddelen die door lage temperaturen (zo laag als 4 °C) kunnen worden beïnvloed. Mannitolhoudende oplossingen zijn temperatuur-gevoelig en mogen niet via de katheter worden toegediend, behalve bij een snelle 'push' van een oplossing met maximaal 20% mannitol, gevolgd door doorspoelen met een fysiologische zoutoplossing. Bij toediening van een mannitolconcentratie van meer dan 20% via druppelinfuus of infuuspomp moet een aparte lijn worden gebruikt.
- Harttamponnade: plaatsing van verblijfskatheters in het rechteratrium is een praktijk die tot hartperforatie en harttamponnade kan leiden. Artsen die centraal-veneuze katheters plaatsen, moeten zich bewust zijn van deze potentieel dodelijke complicatie voordat ze de katheter te ver opvoeren in verhouding tot de grootte van de patiënt. De werkelijke positie van de tip van de verblijfskatheter moet na

plaatsing worden bevestigd met een röntgenfoto. Centraalveneuze katheters mogen niet in het rechteratrium worden geplaatst, tenzij dat specifiek nodig is voor speciale relatief korte procedures, zoals de aspiratie van luchtemboli tijdens neurochirurgie. Dergelijke procedures zijn echter risicogevoelig en moeten nauwlettend worden gevolgd en gecontroleerd.

- De katheter is gecoat met heparine. Dit kan reeds bestaande heparinegeïnduceerde trombocytopenie (HIT) induceren of verergeren.
- WAARSCHUWING.** Bij het verbinden van infuus-/injectiesystemen met de katheter mag de druk niet hoger zijn dan 689 kPa/100 psi.
- Bij patiënten die worden onderkoeld, kan de hypothermie zelf bepaalde ziektebeelden verergeren. Er moet voor worden gezorgd dat de homeostase van de patiënt tijdens hypothermie op juiste wijze wordt gevolgd.
 - Hartritmestoornissen – zowel bradycardie als ventriculaire tachyarritmie.
 - Stollings- en coagulatiefunctie. Patiënten met een risico van verstering van de stollings- of coagulatiefunctie moeten tijdens hypothermie nauwlettend worden gevolgd.
 - Bloedgas- en pH-analyse. Hypothermie wijzigt pH en PaCO₂ in rust. Artsen moeten zich bewust zijn van de invloed van de temperatuur op het testresultaat.
 - Langdurige hypothermie onderdrukt de immuunreactie en longfunctie.

WAARSCHUWING. Intraluminale lekkage of ballonlekkage.

Intraluminale lekkage (tussen het lumen met de fysiologische zoutoplossing en de infuuslumina) of ballonlekkage is een potentieel katheterdefect. Bij een dergelijk defect komt steriele fysiologische zoutoplossing uit het koelcircuit in de patiënt terecht. Intraluminale lekkage of ballonlekkage gaat gewoonlijk gepaard met een alarm betreffende vloeistofverlies nadat de zak met fysiologische zoutoplossing is leeggeraakt en het systeem tot stilstand is gekomen. **Onderzoek altijd alarmen over het vloeistofpeil.** Het koelcircuit is een gesloten lussysteem – alarmen over vloeistofverlies wijzen meestal op een breuk ergens in deze gesloten lus. Controleer bij een alarm over vloeistofverlies de integriteit van de katheter en de opstartkit (zie hieronder).

WAARSCHUWING. Als u opmerkt dat een zak met fysiologische zoutoplossing is leeggeraakt of dat zich een luchtvalalarm voordoet, vervang de zak met fysiologische zoutoplossing dan pas nadat u de locatie van het lek hebt geïdentificeerd en de juiste verhelpende maatregelen hebt getroffen. Controleer het systeem op lekken in overeenstemming met de instructies in de onderstaande paragrafen. Op lekken van de opstartkit controleren en Op lekken van de katheter controleren. (Een lek kan uitwendig of inwendig zijn.)

Als de zak met fysiologische zoutoplossing herhaaldelijk wordt vervangen zonder dat het lek of het verlies van fysiologische zoutoplossing wordt onderzocht, kan dit leiden tot onvoorziene infusie van fysiologische zoutoplossing in de patiënt. De infusie van fysiologische zoutoplossing heeft mogelijk de volgende ongewenste effecten tot gevolg: plaatselijke zwelling die daaruit voortvloeiende plaatselijke weefselbeschadiging kan veroorzaken; systemische vloeistofoverbelasting die tot afhankelijk oedeem en daaruit voortvloeiende huidafbraak kan leiden; vloeistof-overbelasting van inwendige organen, met daaruit voortvloeiende overbelasting van de hersenen, de longen of het hart. In sommige gevallen leidt deze vloeistofoverbelasting mogelijk tot levensbedreigende voorvallen.

Let op. De console geeft een alarm wanneer de zak met fysiologische zoutoplossing leeg is. De zak moet helemaal leeg zijn en extra fysiologische zoutoplossing moet tussen de spike voor de fysiologische zoutoplossing en de luchtval zijn leeggelopen zodat het peil van de fysiologische zoutoplossing in de luchtval voldoende is gezakt dat het alarm wordt getriggerd.

Op lekken van de opstartkit controleren

- Controleer de luchtval op condensatie. Als de luchtval tekenen van condensatie vertoont, neem de luchtval dan af en breng hem opnieuw in de console in. In geval van een luchtvalalarm controleert u of het luchtvalalarm na deze stap is opgeheven.
- Controleer de baan van de fysiologische zoutoplossing vanaf de zak met fysiologische zoutoplossing tot de console zorgvuldig op eventuele lekken. Ga na of er fysiologische zoutoplossing is op de vloer, de console of het bed van de patiënt.

- Als er fysiologische zoutoplossing op de vloer, de console of het bed van de patiënt is, controleer dan of de luers op de katheter en de opstartkit geen barsten of beschadiging vertonen en of de aansluitingen strak genoeg zitten om lekken te voorkomen.
- Als u een lek in de opstartkit vindt, vervang de opstartkit dan en ga na of er ook een lek in de katheter zit.
- Als u geen lek in de opstartkit vindt, zit er waarschijnlijk een lek in de katheter. Onderzoek de situatie nader.
- Verwijder de doppen van de IN- en OUT-luurs. Terwijl de katheterafdekking op zijn plaats zit, vult u de spuit (van 5 ml of groter) met steriele fysiologische zoutoplossing en brengt u de spuit op de vrouwelijke IN-luer aan.
WAARSCHUWING. Injecteer nooit positieve druk in de IN-luer terwijl de dop van de OUT-luer op zijn plaats zit.

Op lekken van de katheter controleren

- Koppel de opstartkit los van de katheter. Plaats op aseptische wijze op de juiste manier een dop op de katheter en de opstartkit.
- Vul een steriele spuit van 10 ml met sliptip met steriele fysiologische zoutoplossing.
- Sluit de spuit aan op de IN-luer van de katheter en maak de OUT-dop los. Infundeer 10 ml fysiologische zoutoplossing; de fysiologische zoutoplossing moet uit de OUT-luer lopen. Als de fysiologische zoutoplossing niet uit de OUT-luer loopt, wijst dit op een lek in de katheter.
- Plaats een dop op de OUT-luer en trek 5 ml vacuüm. Houd dit ten minste 10 seconden in stand. Er moet tot 4 ml fysiologische zoutoplossing (geen bloed) in de spuit lopen en u moet het vacuüm in stand kunnen houden. Als er bloedsporen in de spuit te zien zijn of het vacuüm niet in stand kan worden gehouden, wijst dit op een lek in de katheter.
- Als u een lek in de katheter vindt, vervang dan de katheter.
- Breng de zak met fysiologische zoutoplossing opnieuw aan en vul de opstartkit opnieuw.
- Zorg dat de aansluitingen van de luers met de opstartkit lek dicht zijn en ga verder met de behandeling.

Benodigde materialen

Aantal	Beschrijving
1	Icy-katheterkit voor percutane toegang
1	zak van 500 ml met steriele fysiologische zoutoplossing (niet meegeleverd)
1	opstartkit (afzonderlijk verkrijgbaar)
1	• standaardslang van 6 ft (183 cm) of • verlengslang van 9 ft (274 cm)
1	Coolgard- of Thermogard-console (afzonderlijk verkrijgbaar)
1	katheter-conveniencekit [uitsluitend voor (CO)]
1	YSI-400-temperatuursonde (niet meegeleverd)

De katheter gereedmaken en inbrengen

Opmerking. Dankzij zijn radiopake markeringsband kan de katheter tijdens en na het inbrengen gemakkelijker worden geïdentificeerd door visualisatie onder röntgendoorlichting. Het proximale uiteinde van de katheter is voorzien van één markeringsband. De tip van de katheter bevat bariumsulfaat om hem radiopaak te maken.

Ga aseptisch te werk.

Let op. De IN- en OUT-luerlocks op deze katheter zijn speciaal vervaardigd en zijn uitsluitend bestemd voor aansluiting op de in Benodigde materialen vermelde opstartkit.

De katheter gereedmaken

- Plaats de patiënt in rugligging.
- Reinig en ontsmet de punctieplaats en leg er een doek over.
- Verwijder de katheter voorzichtig uit de verpakking, maar laat de membraanafdekking op de katheter.

- Injecteer voorzichtig fysiologische zoutoplossing door de katheter totdat de oplossing uit de OUT-luer tevoorschijn begint te komen.
- Spoel met behulp van een spuit van 5 ml of groter de distale, proximale en mediale infuusluers door met steriele fysiologische zoutoplossing. Klem de proximale en mediale infuusluers af of plaats er de injectiedoppen op. Plaats geen dop op de distale luer zodat de voerdraad kan passeren.
Let op. Prime de infuusluers van de katheter altijd alvorens de katheter in de patiënt in te brengen.
- Verwijder de membraanafdekking van de katheter. Als er weerstand wordt ondervonden bij het verwijderen van de membraanafdekking van de katheter, moet de membraanafdekking met steriele fysiologische zoutoplossing worden doorgespoeld. Inspecteer de katheter om te controleren of de lucht uit het membraan van de warmtewisselaar is verwijderd. Inspecteer de katheter op lekken.
Let op. Veeg de gecoate katheter niet overmatig af. Veeg de katheter niet af met een droog gaasje, omdat dit de kathetercoating kan beschadigen. Vermijd het gebruik van alcohol, antiseptische oplossingen of andere oplosmiddelen om de katheter vooraf te behandelen, omdat dit onvoorziene veranderingen aan de coating kan toebrengen en de veiligheid en werking van het hulpmiddel kan beïnvloeden.
WAARSCHUWING. Snijd niet in de katheter om de lengte aan te passen.

De katheter inbrengen

WAARSCHUWING. Uitsluitend plaatsen via de vena femoralis.

- Verkrijg toegang tot de vena femoralis met behulp van de gebruikelijke percutane technieken. De toegang moet worden gehandhaafd met een voerdraad van 0,032 inch (0,81 mm). Zie de Gebruiksaanwijzing voor voerdraden.
WAARSCHUWING. Probeer niet om een OTN-introducemaald die geheel of gedeeltelijk uit zijn katheter is teruggetrokken, opnieuw in te brengen.
Let op. Gebruik geen voerdraad van meer dan 0,032 inch (0,81 mm) met de katheter.
- Houd de voerdraad op zijn plaats en verwijder de introducerkatheter.
Let op. Behoud altijd een stevige grip op de voerdraad.
- Vergroot de in de huid gemaakte punctieplaats met de scherpe kant van een scalpel dat uit de buurt van de voerdraad is geplaatst.
WAARSCHUWING. Snijd niet in de voerdraad. Gebruik een vaatdilator om de plaats zo nodig te vergroten. Laat de vaatdilator niet zitten zoals een verblijfskatheter om het risico van mogelijke vaatwandperforatie tot het minimum te beperken.
- Rijg de tip van de katheter over de voerdraad. Behoud altijd een voldoende stevige grip op de voerdraad tijdens het inbrengen van de katheter. Pak de tip van de katheter dicht bij de huid vast en voer de katheter op in de ader. Plaats uw vingers net proximaal van de ballon en ga verder met het opvoeren van de katheter over de voerdraad.
- Gebruik de centimeterstreepjes op de katheter als referentiepunten voor positionering en voer de katheter ten minste tot het minimale markeringsnummer op, om te verzekeren dat de proximale infuuspoort in het bloedvat is.
- Houd de katheter op de gewenste diepte en verwijder de voerdraad. Als na plaatsing van de katheter weerstand wordt ondervonden bij het verwijderen van de voerdraad, zit er mogelijk een knik in de voerdraad bij de tip van de katheter. Als er weerstand wordt ondervonden, trekt u de katheter ongeveer 2 à 3 cm ten opzichte van de voerdraad terug en probeert u de voerdraad te verwijderen. Als er opnieuw weerstand wordt ondervonden, verwijdert u de voerdraad tegelijk met de katheter.
Let op. Oefen geen overmatige kracht uit op de voerdraad.

7. Controleer na verwijdering of de voerdraad intact is.
8. Controleer de plaatsing van de katheter als volgt: sluit een spuit op de distale infuusluer aan en aspireer totdat een onbelemmerde flow van veneus bloed zichtbaar is. Sluit de infuusluer aan op de juiste luerlocklijn zoals vereist. De ongebruikte infuuspoort kan volgens het gebruikelijke ziekenhuisprotocol worden vergrendeld met de injectiedop. De slang is voorzien van een schuifklem waarmee de flow door de infuusluer kan worden afgesloten wanneer wijzigingen aan de lijn en de injectiedop worden aangebracht.

Let op. Om het risico van beschadiging van de slang als gevolg van overmatige druk te minimaliseren, moet de klem worden geopend voordat met een infuus door de luer wordt gestart.

Let op. Klem of sluit de IN- of OUT-lijnen niet af. Dit kan tot een verstopte lijn en een mogelijk defect leiden.

9. Fixeer voorlopig de insteekplaats en de katheter en leg een verband aan.
10. Verifieer de positie van de kathetertip onmiddellijk na plaatsing met behulp van een thoraxfoto. Het röntgenonderzoek moet aantonen dat de katheter zich in de vena cava inferior bevindt, met het distale uiteinde van de katheter parallel aan de wand van de vena cava. Als de kathetertip verkeerd is geplaatst, positioneert u de tip opnieuw en verifieert u nogmaals.
11. De proximale radiopake markering geeft het proximale uiteinde van de ballon aan. Verifieer dat de ballon zich volledig in het bloedvat bevindt. Als de katheter verkeerd is geplaatst, positioneer hem dan opnieuw en verifieer nogmaals.
12. Zet de katheter vast op de patiënt. Gebruik de zijvleugels op de hechttab als primaire hechtplaats om het risico van migratie van de katheter tot het minimum te beperken.
13. De ZOLL-hechttab en -clip kunnen ook worden gebruikt als extra bevestigingspunt. Controleer of de katheterbody goed vastzit en niet verschuift.

Let op. Gebruik uitsluitend de in de kit meegeleverde ZOLL-hechttab en -clip. De katheter kan beschadigd raken als andere tabs of clips worden gebruikt.

Let op. Hecht niet direct op de buitenkant van de katheter om het risico van een ingesneden of beschadigde katheter of een belemmerde flow in de katheter te minimaliseren.

14. Leg een verband aan op de punctieplaats volgens het ziekenhuisprotocol. Verzorg de insteekplaats door het verband op aseptische wijze nauwgezet regelmatig te verwisselen.
15. Noteer in het patiëntendossier de lengte van de verblijfskatheter en gebruik daarbij de centimeterstreepjes op de katheterschacht als referentie. Regelmatige visuele beoordeling is nodig om te controleren of de katheter niet is verschoven.
16. Bevestig een geprimeerde opstartkit aan de katheter: sluit de mannelijke luer van de opstartkit aan op de vrouwelijke IN-luer (aangeduid als 'IN') van de katheter. Sluit de vrouwelijke luer van de opstartkit aan op de mannelijke OUT-luer (aangeduid als 'OUT') van de katheter. Er zijn witte 'ZOLL'-tags losjes aangebracht op de IN- en OUT-verlengslangen om ze te helpen identificeren.
17. Zorg dat er voldoende steriele fysiologische zoutoplossing aanwezig is bij de uiteinden van de luers om een luchtvrije aansluiting te maken. Raadpleeg de bedieningshandleiding.

WAARSCHUWING. Als de verbinding van de opstartkit met de katheter niet op juiste wijze wordt gemaakt, kan dit leiden tot een defecte katheter. Bevestig de (oranje) luers op de opstartkit niet aan de blauwe, witte of bruine luers.

Let op. Bevestig de opstartkit niet aan de distale poort.

Let op. Plaats geen plugkraantjes in de lijn die per ongeluk kunnen worden gesloten. Dit kan tot een verstopte lijn en een mogelijk defect leiden.

18. Pomp fysiologische zoutoplossing door de opstartkit en de katheter om te controleren of alle aansluitingen goed vastzitten en er geen lekken zijn. Zorg dat alle resterende lucht uit het systeem wordt verdreven zoals beschreven in de bedieningshandleiding.

De katheter loskoppelen van de console

1. Stop met het circuleren van fysiologische zoutoplossing door de katheter.
2. Koppel de opstartkit los van de katheter.
3. Om de aansluitingen steriel te houden, zet u onmiddellijk steriele luerdoppen op de luers van zowel de katheter als de opstartkit, of sluit u de IN- en OUT-luurs op elkaar aan.

De katheter opnieuw met de console verbinden

1. Neem de luerdoppen van de luers van de katheter en opstartkit. Werp de luerdoppen weg, of koppel de IN- en OUT-luurs van elkaar los.
2. Bevestig de opstartkit aan de katheter: sluit de mannelijke luer van de opstartkit aan op de vrouwelijke IN-luer van de katheter. Sluit de vrouwelijke luer van de opstartkit aan op de mannelijke OUT-luer van de katheter. De IN- en OUT-luurs van de opstartkit en de katheter zijn oranje van kleur. Zorg dat er voldoende steriele fysiologische zoutoplossing aanwezig is bij de uiteinden van de luers om een luchtvrije aansluiting te maken.

WAARSCHUWING. Als de verbinding van de opstartkit met de katheter niet op juiste wijze wordt gemaakt, kan dit leiden tot een defecte katheter.

WAARSCHUWING. Gebruik de IN- en OUT-luuraansluitingen niet als infuuspoorten van een standaard centrale lijn. Ze zijn uitsluitend bestemd voor aansluiting op de Coolgard/Thermogard-console. De IN- en OUT-luurs van de opstartkit zijn uitsluitend bestemd voor aansluiting op de IN- en OUT-luurs van de katheter. Ze hebben speciale aansluitingen van ZOLL en zijn oranje van kleur voor een gemakkelijke identificatie.

Let op. Plaats geen extra plugkraantjes in de lijn die per ongeluk kunnen worden gesloten. Dit kan tot een verstopte lijn en een mogelijk defect leiden.

De katheter verwijderen

1. Stop met het pompen van fysiologische zoutoplossing door de katheter.
2. Koppel de opstartkit los van de katheter. **Verwijder de doppen van de IN- en OUT-luurs van de katheter of plaats er geen dop op.** Hierdoor kan resterende fysiologische zoutoplossing uit het circuit worden verdreven. Terwijl de katheter wordt teruggetrokken, comprimeren de ballonnen. De fysiologische zoutoplossing in de ballonnen moet vrij uit de ballon kunnen stromen; anders loopt de ballon niet leeg waardoor de katheter moeilijk te verwijderen is.
3. Als optie bevestigt u een spuit van 20 ml of 25 ml aan de IN-luer van de katheter. Trek een vacuüm en houd het gedurende 15 seconden aan om resterende fysiologische zoutoplossing uit de katheterballon te verwijderen alvorens de katheter te verwijderen.
4. Plaats de patiënt in rugligging. Verwijder het verband. Verwijder de hechtingen van de hechtplaats.

WAARSCHUWING. Plaats geen luerdop op de OUT-luer.

5. Verwijder de katheter langzaam uit de patiënt. Terwijl de katheter uit de insteekplaats naar buiten komt, oefent u druk uit met een niet-luchtdoorlatend verband (bijv. vaselinegaas).

WAARSCHUWING. Beweeg de katheter niet tegen weerstand in. Verifieer dat er GEEN doppen op de IN- en OUT-luurs van het koelcircuit zitten. Als er doppen op zitten, verwijdert u deze, laat u de ballon leeglopen en probeert u de katheter opnieuw te verwijderen. Als er nog steeds weerstand wordt ondervonden, moet een röntgenfoto worden gemaakt om de oorzaak van de weerstand te vinden.

Veiligheidsinformatie over MRI



MR-veilig onder bepaalde voorwaarden

De Icy intravasculaire warmtewisselingskatheter is MR-veilig onder bepaalde voorwaarden. Een patiënt met deze katheter kan onder de volgende omstandigheden veilig worden gescand. Wanneer deze voorwaarden niet in acht worden genomen, kan dit letsel van de patiënt tot gevolg hebben.

Parameter	Toestand
Nominale waarden van statisch magnetisch veld (T)	1,5 T en 3,0 T
Veld met maximale ruimtelijke gradiënt (T/m en gauss/cm)	40 T/m (4.000 gauss/cm)
Type RF-excitatie	Circulair gepolariseerd (CP) (d.w.z. kwadratuurgestuurd)
Informatie over RF-zendspoel	Er gelden geen beperkingen m.b.t. RF-zendspoelen. Derhalve kunnen de volgende spoelen worden gebruikt: RF-zendlichaamsspoel en alle andere combinaties van RF-spoelen (d.w.z. RF-lichaamsspoel in combinatie met RF-alleen-ontvangstspoel, RF-zenden ontvangsthoofdspoel, RF-zenden ontvangstknieespoel enz.)

Parameter	Toestand
Bedrijfsmodus van MR-systeem	Normale bedrijfsmodus
Maximale over het gehele lichaam gemiddelde SAR	2 W/kg (normale bedrijfsmodus)
Beperkingen m.b.t. scantijd	Over het gehele lichaam gemiddelde SAR van 2 W/kg gedurende 60 minuten continue blootstelling aan RF (d.w.z. per pulssequentie of sequenties/reeksen achter elkaar zonder onderbrekingen)
MR-beeldartefact	De aanwezigheid van dit implantaat brengt een beeldartefact teweeg. Selecteer pulssequentieparameters daarom zorgvuldig als het implantaat zich in het te beoordelen gebied bevindt.
WAARSCHUWING	De ZOLL Coolgard- en Thermogard-consoles zijn MR-onveilig en daarom zijn deze consoles niet toegestaan in de kamer met het MR-systeem. Daarom moet de katheter van de console worden losgekoppeld voordat de patiënt in de kamer met het MR-systeem wordt gebracht.

Gebruiksaanwijzing voor voerdraaden

Opmerking. Deze informatie is alleen van toepassing op het gebruik van voerdraaden waarbij de seldingertechniek voor het plaatsen van katheters in het vaatstelsel wordt toegepast.

Waarschuwingen

De meegeleverde voerdraad is uitsluitend bestemd voor eenmalig gebruik. Niet opnieuw steriliseren of opnieuw gebruiken. Niet opnieuw inbrengen na verwijdering uit de patiënt.

Als bij het inbrengen of terugtrekken weerstand wordt ondervonden, mag de voerdraad niet meer worden voortbewogen. Bepaal de oorzaak onder doorlichting en neem zo nodig maatregelen.

Wees uiterst voorzichtig bij het voortbewegen van een voerdraad door een stent. Gebruik van een voerdraad in gestente vaten vormt een extra risico voor de patiënt.

Aandachtspunten

Trek de voerdraad niet terug door metalen naalden; de voerdraad kan afknappen.

Wegens de gevoelige en kwetsbare aard van voerdraaden moet extra zorg worden besteed bij het hanteren ervan. Voorkom buigen en knikken. Gebruik geen beschadigde voerdraaden.

Tijdens het bewaren of tijdens procedures moet worden voorkomen dat de voerdraad wordt opgerold tot een diameter van minder dan 8 inch (20,32 cm), omdat kleinere diameters onnodige spanning op de voerdraad kunnen plaatsen en deze kunnen doen knikken.

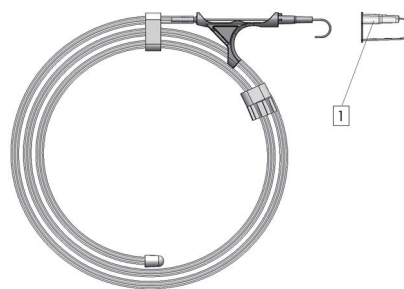
De meegeleverde dispenser is de beste manier om de voerdraad te bewaren en te hanteren.

Er moet voldoende voerdraadlengte blootliggen om altijd een stevige grip op de voerdraad te behouden.

Dispenser

Elke voerdraad wordt geleverd in een dispenser verpakking in een Tyvek-zak. Neem de voerdraad uit de Tyvek-zak. Verwijder de beschermdop van de voerdraad onmiddellijk vóór gebruik van de voerdraad. Maak de voerdraad gereed alvorens deze in te brengen. Het is raadzaam de dispenser te vullen met gehepariniseerde oplossingen (bijv. fysiologische zoutoplossing of dextrose) om de voerdraad te bevochtigen bij het inbrengen.

De gevormde voerdraad met J-uiteinde neemt zijn vorm weer aan na verwijdering uit de productdispenser.



1. Beschermdop voerdraad

Inspectie

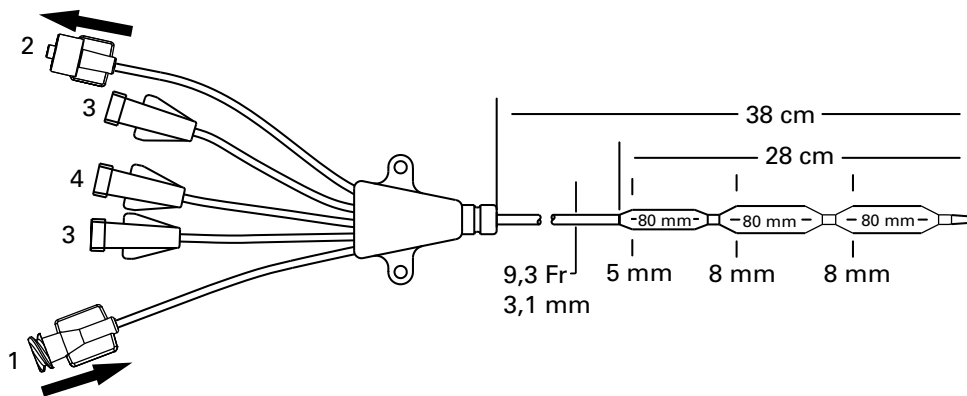
De voerdraad moet vóór gebruik worden geïnspecteerd en een slecht gevormde voerdraad moet worden afgevoerd. De plaatsing van de voerdraad moet routinematig worden bewaakt met gebruik van een röntgenfoto of onder doorlichting.

Techniek

1. Prik het bloedvat aan.
2. Steek de voerdraad in het aanzetstuk van de naald en voer voorzichtig 5 à 10 cm van de voerdraad in het aangeprikte bloedvat op. Leid de voerdraad naar de gewenste positie.
Let op. Vermijd wilde of overdreven krachtige manipulatie van de voerdraad om beschadiging van de voerdraad of het bloedvat te voorkomen.
3. Verwijder de naald van de voerdraad.
4. Dilateer het weefsel en het bloedvat met een kleine draai beweging van de dilatator.
5. Verwijder de dilatator (de vaaddilatator is uitsluitend bestemd voor dilatatie van bloedvaten).
6. Breng de katheter in door hem over de voerdraad te schuiven.
7. Verwijder de voerdraad.

Icy-katheter

1. IN-luer
2. OUT-luer
3. Infuspoorten
4. Distale luer



©2024 ZOLL Medical Corporation. Alle rechten voorbehouden.
ZOLL en Icy zijn handelsmerken of gedeponeerde handelsmerken van ZOLL Medical Corporation en/of ZOLL Circulation Inc. in de Verenigde Staten en/of andere landen. Alle handelsmerken zijn eigendom van hun respectievelijke eigenaars.

Octrooi: www.zoll.com/patents

Polski (pl)

Model IC-3893AE/8700-0782-40 i IC-3893CO/8700-0782-14

Zestaw cewnika wewnątrznaczyniowego z wymiennikiem ciepła Icy® zawiera:

Ilość	Opis
1 AE(CO)	Cewnik wewnątrznaczyniowy z wymiennikiem ciepła Icy 9,3 Fr x 38 cm Trzy złącza Luer do wlewów Zaciski linii przedłużenia Trzonek radiocieniujący Powłoka heparynowa Applause
1 AE(CO)	Prowadnik 0,032" (0,81 mm) x 75 cm
1 AE(CO)	Rozszerzacz naczyń 10,5 Fr x 0,038" (3,6 mm x 1,0 mm)
1 AE(CO)	Zdejmowane skrzydełko i zacisk do szwu
1 AE	Cewnik radiocieniujący OTN 18 ga x 2½" (1,3 mm x 63 mm)
1 AE	Strzykawka o objętości 5 ml i igła 22 ga x 1½" (0,7 mm x 38 mm)
1 AE	Serweta z otworami
1 AE	Igła 18 ga x 2¾" (1,3 mm x 70 mm)
6 AE	Kompresy z gazy 4" x 4" (10 cm x 10 cm)
1 AE	Szew jedwabny 000
1 AE	Ostrze chirurgiczne nr 11 z długim uchwytem

Uwaga — elementy zestawu zależne od modelu

Każdy podstawowy model jest dostępny ze standardowym zestawem do wprowadzania (AE) lub bez standardowego zestawu do wprowadzania (CO). Elementy włączone w obydwa zestawy są oznaczone AE(CO) w tabeli powyżej. Dodatkowe elementy włączone tylko w zestaw standardowy są oznaczone AE.

Opis urządzenia

Cewnik wewnątrznaczyniowy z wymiennikiem ciepła Icy („cewnik Icy” lub „cewnik”) to elastyczny, jałowy cewnik jednorazowego użytku o średnicy 9,3 Fr przeznaczony do umieszczenia w żyłę głównej dolnej z dostępu przez żyłę udową. Cewnik Icy jest przeznaczony do podłączenia do zestawu elementów jednorazowych ZOLL® Start-Up Kit i konsol z rodziny Coolgard® lub Thermogard® („konsola”) (wszystkie one są dostarczane osobno). Do wprowadzenia cewnika Icy przez skórę potrzebny jest rozszerzacz i prowadnik. Dostępne są trzy złącza Luer do wlewów i pobierania próbek.

Port do wlewów	Natężenie przepływu	Objętość do wypełnienia cieczą
Port dystalny (brązowy)	1700 ml/h	0,5 ml
Port środkowy (biały)	900 ml/h	0,4 ml
Port proksymalny (niebieski)	1200 ml/h	0,4 ml

Powierzchnie cewnika, które mają kontakt z krwią (końcówka, balonik i trzonek), są pokryte powłoką heparynową Applause, która zapobiega krzepnięciu krwi.

Jałowość

Sterylnizowane tlenkiem etylenu. Cewnik jest dostarczony jako produkt jałowy, przeznaczony wyłącznie do jednorazowego użytku i nie może być sterylizowany ponownie. Opakowanie należy obejrzeć przed użyciem w celu zapewnienia, że bariera jałowa nie została naruszona.

Przechowywanie

Przechowywać w chłodnym, suchym miejscu. Unikać zamrażania i zbyt wysokich temperatur.

Przeznaczenie

Cewnik Icy w połączeniu z systemem Coolgard lub Thermogard umożliwia obieg roztworu soli fizjologicznej o kontrolowanej temperaturze przez wymiennik ciepła w celu chłodzenia/ogrzewania krwi u pacjentów, u których ryzyko związane z założeniem wkłucia centralnego uznaje się za uzasadnione. Maksymalny okres stosowania: 4 dni.

Przeciwwskazania

- Ryzyko związane z założeniem cewnika jest w zasadzie takie same, jak ryzyko związane z założeniem wkłucia centralnego. Nie należy stosować cewnika u pacjentów, u których nie jest wskazane założenie wkłucia centralnego.
- Skaza krwotoczna.
- Posocznica.
- Infekcja lub krwawienie w miejscu wprowadzania cewnika.
- Pacjenci bez dostępu naczyniowego lub z układem naczyniowym, w którym nie będzie możliwe umieszczenie cewnika, co obejmuje pacjentów z filtrami w żyłę głównej lub innymi implantami uniemożliwiającymi przejście cewnika.
- Pacjenci, u których wymagane monitorowanie temperatury nie będzie możliwe.
- Hipotermia jest przeciwwskazana u pacjentów z chorobami krwi, które mogłyby ulec pogorszeniu przy hipotermii, co obejmuje wszelkie choroby prowadzące do krioglobulinemii lub każdą hemoglobinopatię, w przypadku której niska temperatura może przyspieszyć postępowanie niedokrwistości hemolitycznej (np. niedokrwistość sierpowatokrwinkowa i talasemia).
- Nie przeznaczone do stosowania u dzieci i noworodków.

Ostrzeżenia, środki ostrożności i reakcje niepożądane

Cewnikowanie żył centralnych powinny wykonywać wyłącznie dobrze przeszkolone osoby, biegle znające struktury anatomiczne i bezpieczne techniki zabiegowe. Osoby takie powinny również znać potencjalne powikłania.

OSTRZEŻENIE

Cewnik należy wprowadzać wyłącznie przez żyłę udową. Nie wolno dopuszczać do umieszczenia cewnika w prawym przedsionku lub prawej komorze. Umieszczenie w prawym przedsionku lub prawej komorze może spowodować poważne obrażenia lub zgon pacjenta.

Wyłącznie do jednorazowego użytku. Produkt jest przeznaczony wyłącznie do jednorazowego użytku. Nie należy wyjąławać ani używać ponownie. Nie wprowadzać ponownie po wyjęciu z ciała pacjenta. Nie modyfikować urządzenia w żaden sposób.

Potencjalne rodzaje ryzyka związane z ponownym użyciem urządzenia jednorazowego obejmują między innymi:

- Infekcje potencjalnie zagrażające życiu
- Wstrząs toksyczny spowodowany rozkładem materiałów
- Zwiększenie ryzyka zakrzepicy
- Zmniejszenie szybkości wymiany ciepła
- Awarie urządzenia

OSTRZEŻENIE. Istnieje ryzyko nieprawidłowego połączenia cewnika Icy i zestawu Start-Up Kit z innymi wyrobami z łącznikami z otworami o małej średnicy. Takie nieprawidłowe połączenia mogą spowodować obrażenia lub zgon pacjenta.

Przeostroga. Specjalne złącza Luer znajdujące się na cewniku i zestawie Start-Up Kit mogą zmniejszyć ryzyko nieprawidłowego połączenia, jednak wciąż istnieje możliwość nieprawidłowego połączenia z następującymi wyrobami medycznymi przeznaczonymi do określonych zastosowań: systemy do zastosań w układzie oddechowym i do podawania gazów, do zastosań dojelitowych i dożołądkowych, do zastosań w cewce moczowej i w drogach moczowych, do zastosań w mankietach do mierzenia ciśnienia, do podawania substancji dordzeniowo i do zastosań wewnątrznaczyniowych lub podskórnych. Podczas podłączania cewników i zestawów Start-Up Kit firmy ZOLL do wyrobów medycznych przeznaczonych do zastosań wymienionych powyżej oraz innych wyrobów medycznych należy zawsze zachowywać ostrożność.

Przeostroga. Upewnij się, że cewnik Icy ani zestaw Start-Up Kit nie są podłączone do kroplówki lub innych wyrobów medycznych.

1. Cewnik należy umieścić w taki sposób, aby końcówka dystalna cewnika znalazła się w żyłę głównej dolnej poniżej połączenia z prawym przedsionkiem i równoległe do ściany naczynia. Należy wykonać badanie Rtg w celu potwierdzenia, że cewnik nie wszedł do prawego przedsionka lub komory.
2. **Przeostroga.** Jeżeli w obwodzie soli fizjologicznej jest widoczna krew, należy przerwać zabieg i sprawdzić, czy nie ma wycieku z cewnika.
3. Do możliwych powikłań umieszczenia cewnika w żyłę centralnej należą: perforacja przedsionka lub komory, tamponada serca, zator powietrzny, zator wywołany cewnikiem, uszkodzenie przewodu piersiowego, infekcje bakteryjne, posocznica, zator, przypadkowe przekucie tętnicy, powstanie krwiaka, krwotok, uszkodzenie nerwów lub zaburzenia rytmu serca.
4. Wszystkie połączenia typu Luer-Lock i nasadki należy starannie uszczelnić, aby nie dopuścić do zatoru powietrznego, utraty płynów lub krwi.
5. W żadnym wypadku nie wolno stosować nadmiernej siły przy przesuwaniu cewnika lub prowadnika. W przypadku napotkania oporu należy wykonać zdjęcie Rtg w celu ustalenia przyczyny.
6. Wprowadzenie prowadnika do prawego serca może wywołać zaburzenia rytmu, blok prawej odnogi pęczka Hisa, perforację ściany naczynia, przedsionka lub komory.
7. Do wypełnienia cewnika należy stosować wyłącznie jałową sól fizjologiczną. Jest to płyn krążący w cewniku.
8. Cewnik należy okresowo badać pod kątem natężenia przepływu, umocowania opatrunku, prawidłowego umieszczenia cewnika i szczelności połączeń typu Luer-Lock. Zmianę położenia cewnika można rozpoznać na podstawie znaczników centymetrowych. Potencjalne ryzyko związane ze stosowaniem cewników balonowych z wieloma lumenami to brak leczenia, w tym niemożność dokonania wlewu produktu leczniczego przez lumeny do wlewów.
9. Tylko badanie Rtg pozwala upewnić się, że końcówka cewnika nie weszła do serca i nadal znajduje się w położeniu równoległym do ściany naczynia. Po zmianie położenia cewnika należy ponownie wykonać badanie Rtg, aby potwierdzić położenie końcówki cewnika.
10. Do pobierania próbek krwi należy tymczasowo zamknąć pozostałe porty do wlewów, przez które podawane są roztwory.
11. Do pobierania próbek krwi należy używać wyłącznie strzykawek o objętości 30 ml lub mniejszej.
12. Alkohol i aceton mogą zmniejszać wytrzymałość materiału, z którego wykonany jest trzonek. Należy zachować ostrożność przy wlewie leków zawierających alkohol i przy stosowaniu alkoholu lub acetonu do okresowej pielęgnacji i konserwacji cewnika. Nie należy stosować alkoholu do usuwania skrzepu z cewnika.
13. Aby nie dopuścić do uszkodzenia cewnika, można stosować wyłącznie skrzydełko i zacisk do szwu firmy ZOLL dołączone do zestawu.
14. Użycie strzykawki mniejszej niż 10 ml do irygacji lub usunięcia skrzepu z zablokowanego cewnika może spowodować przeciek pomiędzy lumenami lub rozerwanie cewnika.
15. Nie należy dokonywać wlewów do połączeń Luer-Lock oznaczonych „IN” i „OUT”, gdyż spowoduje to brak leczenia.
16. Gorączka u pacjenta może, lecz nie musi być spowodowana infekcją. Zmniejszanie gorączki jako objawu możliwej infekcji wymaga starannych codziennych ocen pod kątem innych oznak infekcji.
17. Należy zachować szczególną ostrożność przy wlewie leków, które mogły być wystawione na działanie niskiej temperatury (nawet 4°C). Roztwory zawierające mannitol są wrażliwe na temperaturę i nie należy ich podawać przez cewnik, z wyjątkiem szybkiego podania roztworu mannitolu o stężeniu do 20%, po którym należy przepłukać obwód solą fizjologiczną. Przy podawaniu roztworów mannitolu o stężeniu przekraczającym 20% kroplówką bądź pompą infuzyjną, należy korzystać z osobnego dostępu.
18. Tamponada serca: Umieszczanie cewników w prawym przedsionku może prowadzić do perforacji ściany serca i tamponady. Lekarze wprowadzający cewniki do żył centralnych muszą być świadomi ryzyka tego potencjalnie śmiertelnego powikłania i unikać wprowadzania cewnika zbyt daleko w stosunku do rozmiaru ciała pacjenta. Faktyczne położenie końcówki założonego cewnika należy potwierdzić obrazem Rtg po jego wprowadzeniu. Cewniki wprowadzane do żył centralnych nie powinny być umieszczone w prawym przedsionku, chyba że wymaga tego konkretny, stosunkowo krótkotrwały zabieg, taki jak aspiracja zatoru powietrznego podczas zabiegu neurochirurgicznego. Takie zabiegi wciąż jednak wiążą się ze znacznym ryzykiem i należy je starannie monitorować i nadzorować.
19. Cewnik jest powleczony heparyną. Może to wywołać lub zaostrzyć istniejącą uprzednio trombocytopenię wywołaną heparyną (HIT).
20. **OSTRZEŻENIE.** Łącząc zestawy do wlewów/systemy do iniekcji z cewnikiem nie należy przekraczać ciśnienia 100 psi/689 kPa.
21. Hipotermia sama w sobie może zaostrzyć pewne stany chorobowe u pacjentów. Należy starannie monitorować homeostazę pacjenta podczas hipotermii.
 - Zaburzenia rytmu serca — zarówno bradykardia, jak i tachyarytmia komorowa.
 - Krzepliwość i koagulacja. Pacjenci z ryzykiem krzepliwości lub koagulacji wymagają starannego monitorowania w stanie hipotermii.
 - Gazometria i analiza pH krwi. Hipotermia zmienia spoczynkowe pH i PaCO₂. Lekarze muszą znać wpływ temperatury na te wyniki laboratoryjne.
 - Dłuższe stany hipotermii obniżają odpowiedź układu odpornościowego i czynność płuc.

OSTRZEŻENIE. Przeciek pomiędzy lumenami lub wyciek z balonu.

Przeciek pomiędzy lumenem soli fizjologicznej a lumenami do wlewów lub wyciek z balonu jest możliwą awarią cewnika. W wypadku takiej awarii jałowy fizjologiczny roztwór soli (sól fizjologiczna) z układu chłodzenia zostanie wprowadzony do organizmu pacjenta. Przeciek pomiędzy lumenami lub wyciek z balonu zwykle objawia się alarmem sygnalizującym utratę płynu po opróżnieniu worka z solą fizjologiczną i powoduje zatrzymanie systemu. **Należy zawsze zbadać przyczynę alarmu poziomu płynu.** Układ chłodzenia ma postać pętli zamkniętej — alarmy utraty płynów wskazują zwykle na nieszczelność w tej zamkniętej pętli. Wszelkie alarmy utraty płynów wymagają sprawdzenia integralności cewnika i zestawu Start-Up Kit (zob. poniżej).

OSTRZEŻENIE. W razie zauważenia, że worek z solą fizjologiczną jest opróżniony, lub pojawienia się alarmu detektora pęcherzyków powietrza nie należy wymieniać worka z solą fizjologiczną przed ustaleniem miejsca wycieku i podjęciem odpowiednich działań zaradczych. Sprawdzić, czy w systemie nie ma wycieków, postępując według instrukcji zamieszczonych poniżej w sekcjach Sprawdzanie, czy nie ma wycieku z zestawu Start-Up Kit i Sprawdzanie, czy nie ma wycieku z cewnika. (Należy zwrócić uwagę, że wyciek może być zewnętrzny lub wewnętrzny).

Wielokrotna wymiana worka z solą fizjologiczną bez zbadania wycieku lub przyczyny utraty soli fizjologicznej może doprowadzić do niezamierzonej infuzji soli fizjologicznej do organizmu pacjenta. Infuzja soli fizjologicznej może prowadzić do następujących skutków niepożądanych: miejscowy obrzęk z następstwem w postaci miejscowego zniszczenia tkanki; ogólnoustrojowe przeciążenie płynowe, które może prowadzić do obrzęku opadowego z następstwem w postaci rozpadu tkanek skóry; przeciążenie płynowe narządów wewnętrznych z następstwem w postaci przeciążenia mózgu, płuc lub serca. W niektórych przypadkach przeciążenie płynowe może prowadzić do zdarzeń zagrażających życiu.

Przeostroga. Konsola emituje alarm, gdy worek z solą fizjologiczną jest opróżniony. Alarm jest wyzwalany dopiero wtedy, gdy worek jest całkowicie pusty, a dodatkowa ilość soli fizjologicznej spłynie przez iglicę i detektor pęcherzyków powietrza, powodując wystarczająco duży spadek poziomu soli fizjologicznej w detektorze pęcherzyków powietrza.

Sprawdzanie, czy nie ma wycieku z zestawu Start-Up Kit

1. Sprawdzić, czy w detektorze pęcherzyków powietrza nie dochodzi do kondensacji pary. Jeśli widoczne są oznaki kondensacji w detektorze pęcherzyków powietrza, wytrzeć detektor pęcherzyków powietrza i z powrotem zamontować go w konsoli. Jeśli pojawi się alarm detektora pęcherzyków powietrza, upewnić się, że po tej czynności alarm ustąpił.
2. Dokładnie skontrolować drogę przepływu soli fizjologicznej z worka do konsoli w poszukiwaniu wszelkich wycieków. Sprawdzić, czy nie ma soli fizjologicznej na podłodze, konsoli lub łóżku pacjenta.
3. Jeśli na podłodze, konsoli lub łóżku pacjenta jest jakokolwiek ilość soli fizjologicznej, upewnić się, że złącza Luer na cewniku i zestawie Start-Up Kit nie są popękane lub uszkodzone, a połączenia są na tyle szczelne, by nie dochodziło do wycieków.
4. W razie stwierdzenia wycieku w zestawie Start-Up Kit należy wymienić zestaw Start-Up Kit i sprawdzić, czy nie ma wycieku również w cewniku.
5. Jeśli kontrola nie wykaże wycieku z zestawu Start-Up Kit, to prawdopodobnie występuje wyciek z cewnika. Należy kontynuować kontrolę.

Sprawdzanie, czy nie ma wycieku z cewnika

1. Odłączyć zestaw Start-Up Kit od cewnika. Prawidłowo nałożyć nasadki na cewnik i zestaw Start-Up Kit, stosując technikę aseptyczną.
2. Napełnić jałową strzykawkę typu slip tip o objętości 10 ml jałową solą fizjologiczną.
3. Podłączyć strzykawkę do złącza Luer IN cewnika i zdjąć nasadkę OUT. Wstrzyknąć 10 ml soli fizjologicznej — powinna ona wypływać ze złącza Luer OUT. Niewypływanie soli fizjologicznej ze złącza Luer OUT wskazuje na wyciek z cewnika.
4. Nałożyć nasadkę na złącze Luer OUT i odciągnąć 5 ml powietrza, wywołując podciśnienie. Utrzymać podciśnienie przez co najmniej 10 sekund. Do strzykawki powinno wpłynąć maksymalnie 4 ml soli fizjologicznej (nie krwi) i powinno być możliwe utrzymanie podciśnienia. Dostrzegalna obecność krwi w strzykawce lub brak możliwości utrzymania podciśnienia świadczy o wycieku z cewnika.
5. W razie stwierdzenia wycieku z cewnika należy wymienić cewnik.
6. Wymienić worek z solą fizjologiczną i ponownie wypełnić zestaw Start-Up Kit.
7. Upewnić się, że połączenia Luer z zestawem Start-Up Kit są szczelne, i kontynuować leczenie.

Wymagane materiały

Ilość	Opis
1	Zestaw cewnika Icy do wprowadzania przezskórnego
1	Worek z jałową solą fizjologiczną 500 ml (nieodłączony do zestawu)
	Zestaw Start-Up Kit (dostarczony osobno)
1	<ul style="list-style-type: none">• standardowa rurka o długości 6 stóp (183 cm) lub• przedłużona rurka o długości 9 stóp (274 cm)
1	Konsola Coolgard lub Thermogard (dostarczona osobno)
1	Zestaw ułatwiający wprowadzanie cewnika [tylko do (CO)]
1	Sonda temperatury YSI-400 (nieodłączona do zestawu)

Przygotowanie i wprowadzenie cewnika

Uwaga. Na cewniku znajduje się pasek znacznika radiocieniującego, który ułatwia rozpoznanie cewnika na obrazie Rtg podczas wprowadzania i po jego zakończeniu. Na proksymalnej końcówce proksymalnego balonika jest jeden pasek znacznika. Końcówka cewnika zawiera siarczan baru o właściwościach radiocieniujących.

Stosować technikę jałową.

Przeostroga. Złącza Luer-Lock IN i OUT na tym cewniku są specjalnie wyprodukowane dla tego zestawu i przeznaczone do połączenia tylko z zestawem Start-Up Kit podanym w sekcji Wymagane materiały.

Przygotowywanie cewnika

1. Ułożyć pacjenta na plecach.
2. Przygotować i nałożyć serwetę na miejsce wkłucia.
3. Ostrożnie wyjąć cewnik z opakowania, pozostawiając na miejscu błonkę pokrywającą cewnik.
4. Zdjąć nasadki ze złącza Luer IN i OUT. Osłona cewnika pozostaje na miejscu; napełnić strzykawkę (5 ml lub większą) jałową solą fizjologiczną i podłączyć strzykawkę do żeńskiego złącza Luer IN.
OSTRZEŻENIE. Nie należy w żadnym wypadku doprowadzać nadciśnienia do złącza Luer IN, kiedy złącze Luer OUT jest zamknięte nasadką.
5. Delikatnie wstrzykiwać sól fizjologiczną do czasu, aż zacznie wypływać ze złącza Luer OUT.
6. Przy użyciu strzykawki o objętości 5 ml lub większej przepłukać złącza Luer do wlewów (dystalne, proksymalne i środkowe) jałową solą fizjologiczną. Zaciśnąć lub nałożyć nasadkę iniekcyjną na proksymalnym i środkowym złączu Luer do wlewów. Luer dystalny powinien pozostać bez nasadki, gdyż tamtędy zostanie przeprowadzony przewodnik.

Przeostroga. Należy zawsze wypełnić płynem złącza Luer do wlewów cewnika przed wprowadzeniem cewnika do ciała pacjenta.

7. Zdjąć błonkę pokrywającą cewnik. W przypadku napotkania oporu przy zdejmowaniu błonki pokrywającej cewnik, przepłukać błonkę jałową solą fizjologiczną. Obejrzeć cewnik, aby upewnić się, że powietrze zostało usunięte z błony wymiennika ciepła. Sprawdzić, czy cewnik nie przecieka.

Przeostroga. Unikać nadmiernego przecierania powleczonego cewnika. Unikać przecierania cewnika suchą gazą, gdyż może to spowodować uszkodzenie powłoki cewnika. Unikać używania alkoholu, roztworów antyseptycznych lub innych rozpuszczalników do wstępnego oczyszczenia cewnika, ponieważ może to spowodować nieprzewidywalne zmiany w powłoce, co z kolei może wpłynąć na bezpieczeństwo i wydajność urządzenia.

OSTRZEŻENIE. Nie wolno przycinać cewnika w celu zmiany jego długości.

Wprowadzanie cewnika

OSTRZEŻENIE. Stosować dostęp wyłącznie przez żyłę udową.

1. Uzyskać dostęp do żyły udowej standardowymi technikami przezskórnymi. Dostęp należy podtrzymać przewodnikiem o średnicy 0,032" (0,81 mm). Zob. Instrukcja użycia przewodnika.

OSTRZEŻENIE. Nie próbować ponownie wprowadzać igły introduktora OTN częściowo lub całkowicie wycofanej z jego cewnika.

Przeostroga. Z cewnikiem nie należy używać przewodnika większego niż 0,032" (0,81 mm).

2. Przytrzymując przewodnik w miejscu, wyjąć cewnik introduktora.
Przeostroga. Przez cały czas mocno przytrzymywać przewodnik.
3. Powiększyć miejsce nakłucia na skórze ostrzem skalpela skierowanym od przewodnika.
OSTRZEŻENIE. Nie przycinać przewodnika. Zastosować rozszerzacz naczyń w celu powiększenia miejsca wkłucia zgodnie z potrzebami. Nie zostawiać rozszerzacza naczyń w miejscu jako cewnika założonego na stałe, aby zmniejszyć ryzyko możliwej perforacji ściany naczyń.
4. Przeprowadzić końcówkę cewnika po przewodniku. Mocno trzymać przewodnik podczas wprowadzania cewnika. Chwytać cewnik w pobliżu skóry, wprowadzić go do żyły. Kontynuować wprowadzanie cewnika po przewodniku, umieszczając palce blisko balonika.
5. Posługując się dla orientacji znacznikami centymetrowymi na cewniku, wprowadzić cewnik co najmniej do znacznika o najniższym numerze, aby zapewnić, że proksymalny port do wlewów znajduje się w naczyniu.
6. Przytrzymać cewnik na żądanej głębokości i wyjąć przewodnik. Jeżeli podczas próby wyjmowania przewodnika po umieszczeniu cewnika wystąpi opór, mogło dojść do skręcenia przewodnika przy czubku cewnika. W wypadku napotkania oporu wycofać cewnik mniej więcej o 2–3 cm w stosunku do przewodnika i spróbować wyjąć przewodnik. W przypadku ponownego napotkania oporu, wyjąć jednocześnie przewodnik i cewnik.

Przeostroga. Nie należy przykładać nadmiernej siły do przewodnika.

7. Potwierdzić, że przewodnik jest nienaruszony po jego wyjęciu.
8. Sprawdzić umiejscowienie cewnika, mocując strzykawkę do dystalnego złącza Luer do wlewów i aspirując do czasu stwierdzenia swobodnego przepływu krwi żyłnej. Połączyć złącze Luer do wlewów z odpowiednią linią ze złączem Luer-Lock. Niewykorzystany port do wlewów można „zamknąć” nasadką iniekcyjną, według standardowego protokołu szpitala. Przesuwany zacisk dostarczony jest z rurką; zamyka on przepływ przez złącze Luer do wlewów podczas wymiany linii i nasadki iniekcyjnej.
Przeostroga. W celu zmniejszenia ryzyka uszkodzenia rurek nadmiernym ciśnieniem, zacisk należy otworzyć przed podaniem wlewu poprzez złącze Luer.
- Przeostroga.** Nie wolno zaciskać ani blokować przepływu przez linię IN lub OUT. Mogłoby to spowodować blokadę linii i awarię.
9. Umocować cewnik i opatrzyć tymczasowo miejsce wprowadzenia.
10. Potwierdzić położenie końcówki cewnika wykonując Rtg klatki piersiowej natychmiast po jego umieszczeniu. Na Rtg cewnik musi być w żyłę głównej dolnej, a końcówka dystalna cewnika musi być równoległa do ściany żyły głównej. Jeżeli końcówka cewnika jest nieprawidłowo ułożona, zmienić położenie i potwierdzić powtórnie.

11. Proksymalny znacznik radiocieniujący wskazuje położenie proksymalnego końca balonika. Upewnić się, że balonik znajduje się całkowicie wewnątrz naczynia. Jeśli cewnik jest nieprawidłowo ułożony, zmienić położenie i sprawdzić powtórnie.
12. Umocować cewnik do pacjenta. Użyć skrzydełek bocznych do przyszywania jako podstawowego miejsca założenia szwów, aby ograniczyć ryzyko migracji cewnika.
13. Skrzydełko i zacisk na szew ZOLL mogą służyć jako dodatkowy punkt mocowania. Upewnić się, że korpus cewnika jest zabezpieczony i nie przesuwają się.

Przeostroga. Posłużyć się wyłącznie skrzydełkiem i zaciskiem na szew ZOLL dostarczonymi w zestawie. Użycie innych skrzydełek lub zacisków może spowodować uszkodzenie cewnika.

Przeostroga. Nie zakładać szwu bezpośrednio na zewnętrzną ściankę cewnika, aby ograniczyć ryzyko przecięcia, uszkodzenia cewnika lub ograniczenia przepływu przez cewnik.

14. Opatrzeć miejsce nakłucia zgodnie z protokołem szpitala. Regularnie pielęgnować miejsce wkłucia, starannie zmieniając opatrunki z zachowaniem techniki aseptycznej.
15. Zapisać na karcie pacjenta długość cewnika umieszczonego w naczyniu, posługując się znacznikami centymetrowymi na korpusie cewnika. Należy często sprawdzać wzrokowo położenie, aby upewnić się, że nie doszło do przemieszczenia cewnika.
16. Podłączyć wypełniony zestaw Start-Up Kit do cewnika: Połączyć męskie złącze Luer zestawu Start-Up Kit z żeńskim złączem Luer IN (oznaczonym jako „IN”) cewnika. Połączyć żeńskie złącze Luer zestawu Start-Up Kit z męskim złączem Luer OUT (oznaczonym jako „OUT”) cewnika. Białe znaczniki „ZOLL” umocowane są luźno do rurek przedłużacza IN i OUT, co ułatwia ich rozpoznanie.

Uwaga. Złącza Luer IN i OUT zestawu Start-Up Kit są przeznaczone wyłącznie do połączenia ze złączami Luer IN i OUT cewnika i nie są przeznaczone do podłączania standardowych strzykawk z końcówką Luer Lock. Mają one specjalne złącza ZOLL i są pomarańczowe dla odróżnienia.

17. Upewnić się, że na końcu złączy Luer jest wystarczająca ilość jałowej soli fizjologicznej, aby w połączeniu nie było pęcherzyków powietrza. Zapoznać się z podręcznikiem obsługi.

OSTRZEŻENIE. Nieprawidłowe połączenie zestawu Start-Up Kit z cewnikiem może spowodować awarię cewnika. Nie podłączać złączy Luer zestawu Start-Up Kit (pomarańczowych) do niebieskiego, białego ani brązowego złącza Luer.

Przeostroga. Nie podłączać zestawu Start-Up Kit do portu dystalnego.

Przeostroga. Nie umieszczać w linii żadnych kraników, które mogłyby zostać przypadkowo zamknięte. Mogłyby to spowodować blokadę linii i awarię.

18. Przepompować sól fizjologiczną przez zestaw Start-Up Kit i cewnik, aby upewnić się, że wszystkie połączenia są szczelne i nie ma przecieków. Usunąć pozostałości powietrza z systemu zgodnie z opisem w podręczniku obsługi.

Odlączenie cewnika od konsoli

1. Wstrzymać przepływ soli fizjologicznej przez cewnik.
2. Odlączyć zestaw Start-Up Kit od cewnika.
3. Aby zachować jałowość połączeń, natychmiast zatkać złącza Luer cewnika i zestawu Start-Up Kit jałowymi nasadkami Luer lub połączyć ze sobą złącza Luer IN i OUT.

Ponowne łączenie cewnika z konsolą

1. Zdjąć nasadki złączy Luer cewnika i zestawu Start-Up Kit. Wyrzucić nasadki złączy Luer lub rozłączyć złącza Luer IN i OUT.
2. Podłączyć zestaw Start-Up Kit do cewnika: Połączyć męskie złącze Luer zestawu Start-Up Kit z żeńskim złączem Luer IN cewnika. Połączyć żeńskie złącze Luer zestawu Start-Up Kit z męskim złączem Luer OUT cewnika. Złącza Luer IN i OUT zestawu Start-Up Kit i cewnika są pomarańczowe. Upewnić się, że na końcu złączy Luer jest wystarczająca ilość jałowej soli fizjologicznej, aby w połączeniu nie było pęcherzyków powietrza.

OSTRZEŻENIE. Nieprawidłowe połączenie zestawu Start-Up Kit z cewnikiem może spowodować awarię cewnika.

OSTRZEŻENIE. Nie należy korzystać ze złączy Luer IN i OUT w przypadku standardowych portów do wlewów do wkłucia centralnego. Służą one wyłącznie do połączenia z konsolą Coolgard lub Thermogard. Złącza Luer IN i OUT zestawu Start-Up Kit są przeznaczone wyłącznie do połączenia ze złączami Luer IN i OUT cewnika. Mają one specjalne złącza ZOLL i są pomarańczowe dla odróżnienia.

Przeostroga. Nie umieszczać w linii dodatkowych kraników, które mogłyby zostać przypadkowo zamknięte. Mogłyby to spowodować blokadę linii i awarię.

Wymywanie cewnika

1. Wstrzymać pompowanie soli fizjologicznej przez cewnik.
2. Odlączyć zestaw Start-Up Kit od cewnika. **Zdjąć nasadki lub pozostawić złącza Luer IN i OUT cewnika bez nasadek.** Umożliwi to wypływ pozostałości soli fizjologicznej z obwodu. Podczas wycofywania cewnika baloniki są ściskane. Sól fizjologiczna znajdująca się w balonikach musi swobodnie wypływać z balonika, gdyż w przeciwnym razie opróżnienie balonika nie będzie możliwe, co utrudni wyjęcie cewnika.
3. Opcjonalnie podłączyć strzykawkę o objętości 20 lub 25 ml do złącza Luer IN cewnika. Przed wyjęciem cewnika wyciągnąć tłoczek i utrzymać podciśnienie przez 15 sekund, aby usunąć pozostałości soli fizjologicznej z baloników cewnika.

4. Ułożyć pacjenta na plecach. Zdjąć opatrunki. Zdjąć szwy z miejsca ich założenia.

OSTRZEŻENIE. Nie zakładać nasadki Luer na złącze Luer OUT.

5. Powoli wycofać cewnik z ciała pacjenta. W miarę wysuwania się cewnika naciskać na miejsce wkłucia opatrunkiem nieprzepuszczającym powietrza, na przykład gazą z wazeliną.
- OSTRZEŻENIE.** Nie przemieszczać cewnika w przypadku napotkania oporu. Sprawdzić, czy na złączach Luer IN i OUT obwodu chłodzenia NIE MA nasadek. Jeżeli są, zdjąć nasadki, opróżnić balonik i ponownie spróbować wycofać cewnik. Jeżeli opór nie ustępuje, należy wykonać Rtg, aby ustalić przyczynę oporu.

Informacje dotyczące bezpieczeństwa w warunkach rezonansu magnetycznego



Wyrób bezpieczny w określonych warunkach rezonansu magnetycznego

Cewnik wewnątrznaczyniowy z wymiennikiem ciepła Icy jest bezpieczny w określonych warunkach rezonansu magnetycznego. Pacjent, w którego ciele znajduje się ten cewnik, może być bezpiecznie skanowany w warunkach określonych poniżej. Niezachowanie tych warunków może spowodować uszczerbek na zdrowiu pacjenta.

Parametr	Warunek
Indukcja znamionowa statycznego pola magnetycznego (T)	1,5 T i 3,0 T
Maksymalny gradient przestrzenny pola (T/m i gaus/cm)	40 T/m (4000 gausów/cm)
Typ wzbudzenia RF	Polaryzacja kołowa (CP) (tj. kwadraturowa)
Informacje o cewce nadawczej RF	Brak ograniczeń dotyczących cewki nadawczej RF. Dlatego dozwolone jest używanie: cewki nadawczej RF do badania całego ciała w kombinacji z dowolnymi innymi cewkami RF (tj. cewki RF do badania całego ciała w kombinacji z dowolną tylko odbiorczą cewką RF, nadawczo-odbiorczą cewką RF do badania głowy, nadawczo-odbiorczą cewką RF do badania kolana itd.)

Parametr	Warunek
Tryb działania systemu RM	Normalny tryb działania
Maksymalny współczynnik SAR uśredniony dla całego ciała	2 W/kg (w normalnym trybie pracy)
Ograniczenia czasu trwania skanu	Uśredniony dla całego ciała współczynnik SAR wynoszący 2 W/kg dla 60-minutowej ciągłej ekspozycji na emisję RF (tj. na jedną sekwencję impulsów lub sekwencje/serie następujące po sobie bez przerw)
Artefakt na obrazie uzyskanym techniką RM	Obecność tego implantu powoduje artefakt na obrazie. Dlatego, jeśli implant znajduje się w obszarze zainteresowania, należy starannie dobrać parametry sekwencji impulsów.
OSTRZEŻENIE	Konsole ZOLL Coolgard i Thermogard nie są bezpieczne w środowisku rezonansu magnetycznego, zatem niedopuszczalne jest, aby znajdowały się w pomieszczeniu z systemem RM. Dlatego przed przetransportowaniem pacjenta do pomieszczenia z systemem RM należy odłączyć cewnik od konsoli.

Instrukcja użycia przewodnika

Uwaga. Ta informacja dotyczy wyłącznie zastosowania przewodnika w technice Seldingera, do umieszczenia cewnika w układzie naczyniowym.

Ostrzeżenia

Dostarczony przewodnik jest przeznaczony wyłącznie do jednorazowego użytku. Nie należy wyjąławać ani używać ponownie. Nie wprowadzać ponownie po wyjęciu z ciała pacjenta.

Jeżeli podczas wprowadzania lub wycofywania wystąpi opór, nie wolno dalej przesuwać przewodnika. Ustalić przyczynę na obrazie fluoroskopowym i podjąć odpowiednie działania.

Należy zachować wyjątkową ostrożność przeprowadzając przewodnik przez stent. Stosowanie przewodnika w naczyniach ze stentami stwarza dodatkowe ryzyko dla pacjenta.

Przestrogi

Unikać wycofywania przewodnika poprzez igły metalowe, gdyż może dojść do ścięcia przewodnika.

Ponieważ przewodniki są delikatne i kruche, należy posługiwać się nimi z wyjątkową ostrożnością. Unikać zginania i zwijania. Nie wolno posługiwać się uszkodzonymi przewodnikami.

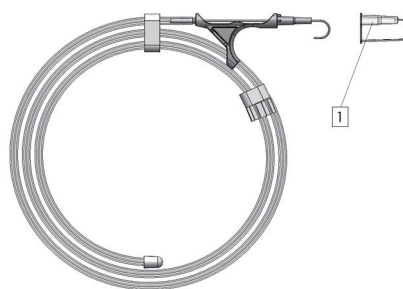
Podczas przechowywania, a także podczas zabiegów należy unikać zwijania przewodnika w pętle ciaśniejsze niż o średnicy 8 cali (20,32 cm), gdyż ciaśniejsze zwinienie spowodowałoby nadmierne naprężenie przewodnika oraz potencjalnie jego załamanie. Dołączony dyspenser to najlepsze miejsce na przechowywanie przewodnika.

Na zewnątrz musi pozostać dostatecznie długi odcinek przewodnika, aby zapewnić solidny uchwyt w każdym momencie.

Dyspenser

Każdy przewodnik dostarczony jest w opakowaniu z dyspenserem wewnątrz torebki z materiału Tyvek. Wyjąć przewodnik z torebki z materiału Tyvek. Nasadkę ochronną przewodnika zdjąć bezpośrednio przed użyciem przewodnika. Przygotować przewodnik przed wprowadzeniem. Zaleca się wypełnienie dyspensera roztworem soli fizjologicznej lub dekstrozy z heparyną, aby przewodnik pozostał zanurzony podczas wprowadzania.

Ukształtowany wstępnie przewodnik w kształcie litery „J” przybierze nadany kształt po wyjęciu go z dyspensera.



1. Nasadka ochronna przewodnika

Kontrola

Obejrzeć przewodnik przed użyciem i zutylizować go, jeżeli występują jakiegokolwiek odkształcenia. Umieszczenie przewodnika należy rutynowo monitorować pod Rtg lub fluoroskopem.

Technika

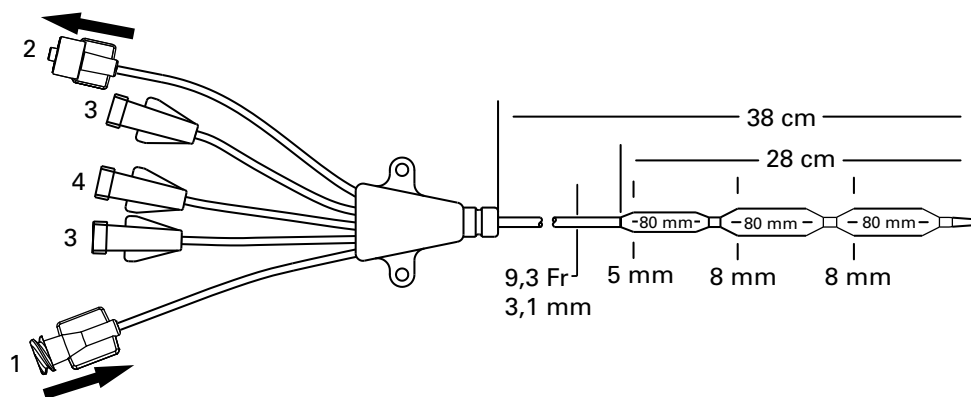
1. Nakłuć naczynie.
2. Wprowadzić przewodnik w złącze igły i delikatnie wsunąć 5–10 cm przewodnika w nakłute naczynie. Przeprowadzić przewodnik do wybranego położenia.

Przeostroga. Unikać silnych lub nadmiernie energicznych manipulacji przewodnikiem, aby uniknąć uszkodzenia przewodnika lub naczynia.

3. Zdjąć igłę z przewodnika.
4. Rozszerzyć tkankę i naczynie rozszerzaczem, delikatnym ruchem obrotowym.
5. Wyciągnąć rozszerzacz (rozszerzacz naczyń jest przeznaczony do zastosowania wyłącznie w układzie naczyniowym).
6. Wprowadzić cewnik, wsuwając go po przewodniku.
7. Wyjąć przewodnik.

Cewnik Icy

1. Luer IN
2. Luer OUT
3. Porty do wlewów
4. Dystalne złącze Luer



©2024 ZOLL Medical Corporation. Wszelkie prawa zastrzeżone. ZOLL i Icy to znaki towarowe lub zarejestrowane znaki towarowe firmy ZOLL Medical Corporation i/lub ZOLL Circulation, Inc. w Stanach Zjednoczonych i/lub w innych krajach. Wszystkie znaki towarowe stanowią własność ich odpowiednich właścicieli.

Patent: www.zoll.com/patents

Čeština (cs)

Model IC-3893AE/8700-0782-40 a IC-3893CO/8700-0782-14

Souprava katétru pro intravaskulární výměnu tepla Icy[®] obsahuje:

Množství	Popis
1 AE(CO)	Katétr pro intravaskulární výměnu tepla Icy 9,3 F × 38 cm Trojitý infuzní Luer Svorky prodlužovacích hadiček Rentgenkontrastní dířik Heparinový potah Applause
1 AE(CO)	Vodící drát 0,032" (0,81 mm) × 75 cm
1 AE(CO)	Cévní dilatátor 10,5 F × 0,038" (3,6 mm × 1,0 mm)
1 AE(CO)	Odnímatelná úchytky a spona chirurgické niti
1 AE	Rentgenkontrastní OTN katétr 18 G × 2 ½" (1,3 mm × 63 mm)
1 AE	Stříkačka 5 ml a jehla 22 G × 1 ½" (0,7 mm × 38 mm)
1 AE	Rouška s výřezem
1 AE	Jehla 18 G × 2 ¾" (1,3 mm × 70 mm)
6 AE	Gázové polštářky 4" × 4" (10 cm × 10 cm)
1 AE	Hedvábné vlákno 000
1 AE	Chirurgická čepel č. 11 s dlouhou rukojetí

Poznámka – komponenty soupravy podle modelu

Každý základní model je k dispozici buď se standardní soupravou pro podporu zavádění (AE) nebo bez standardní soupravy pro podporu zavádění (CO). Komponenty společné pro obě soupravy jsou v tabulce výše označené „AE(CO)“. Dodatečné komponenty, které se dodávají pouze ve standardní soupravě, jsou označeny „AE“.

Popis prostředku

Katétr pro intravaskulární výměnu tepla Icy („katétr Icy“ nebo „katétr“) je sterilní, jednorázový, flexibilní katétr 9,3 F určený k zavedení do dolní duté žíly s přístupem přes femorální žílu. Katétr Icy se připojuje k jednorázové soupravě ZOLL[®] Start-Up Kit a ke konzolím fady Coolgard[®] nebo Thermogard[®] („konzole“) (oboje dodávané zvlášť). K perkutánnímu zavedení katétru Icy je nutný dilatátor a vodící drát. K infuzi a odběru vzorků jsou k dispozici tři spojky Luer.

Infuzní port	Průtok	Objem plnění
Distální (hnědý)	1 700 ml/h	0,5 ml
Mediální (bílý)	900 ml/h	0,4 ml
Proximální (modrý)	1 200 ml/h	0,4 ml

Povrchy katétru, které jsou ve styku s krví (hrot, balónek a dířik), jsou opatřeny antitrombotickým heparinovým potahem Applause.

Sterilita

Sterilizováno ethylenoxidem. Katétr se dodává sterilní pouze pro jedno použití a nesmí se opakovaně sterilizovat. Před použitím je třeba kontrolou balení ověřit, že sterilní bariéra není narušena.

Uchovávaní

Uchovávejte v chladu a suchu. Chraňte před mrazem a nadměrným teplem.

Určené použití

Katétr Icy v kombinaci se systémem Coolgard nebo Thermogard umožňuje cirkulaci fyziologického roztoku o kontrolované teplotě výměníkem tepla, a tím ochlazuje / opětovně ohřívá krve pacientů, u nichž je opodstatněné přistoupit na rizika spojená s centrálním žilním katétre. Maximální doba použití: 4 dny.

Kontraindikace

- Rizika katétru jsou v podstatě stejná jako u centrálního žilního katétru. Katétr se nesmí používat u pacientů, u kterých není indikováno zavedení centrálního žilního katétru.
- Hemoragická diatéza.
- Aktivní sepsa.
- Infekce nebo aktivní krvácení v místě zavedení katétru.
- Pacienti bez cévního přístupu nebo s cévním řečištěm, které neumožňuje zavedení katétru, včetně pacientů s filtry v duté žile nebo jinými implantovanými překážkami pro postup katétru.
- Pacienti, u kterých nelze zavést požadované sledování teploty.
- Hypotermie je kontraindikována u pacientů s hematologickými chorobami, které se hypotermií zhorší (např. s jakoukoli chorobou, která vede ke vzniku kryoglobulinemie, s jakoukoli hemoglobinopatií, při níž prochlazení může předcházet hemolytické anémii, včetně srpkovité nemoci nebo talasemie).
- Není určeno pro použití u dětí ani novorozenců.

Varování, bezpečnostní opatření a nežádoucí účinky

Centrální žilní katétr smí zavádět pouze školení lékaři s dokonalou znalostí anatomických poměrů a bezpečných metod. Lékaři musí též znát potenciální komplikace.

VAROVÁNÍ

Katétr lze zavádět pouze přístupem přes femorální žílu. Zabraňte zavedení katétru do pravé síně nebo pravé komory. Zavedení do pravé síně nebo pravé komory může způsobit vážné zranění nebo smrt pacienta.

Pouze pro jednorázové použití. Výrobek je určen pouze pro jednorázové použití. Neresterilizujte ani nepoužívejte opakovaně. Po vyjmutí z těla pacienta nezavádějte znovu. Katétr žádným způsobem neupravujte.

Potenciální rizika spojená s opakovaným použitím jednorázového prostředku jsou mimo jiné následující:

- Potenciálně život ohrožující infekce
- Toxický šok způsobený degradací materiálů
- Zvýšené riziko trombózy
- Snížená účinnost tepelné výměny
- Selhání prostředku

VAROVÁNÍ. Existuje potenciál nechtěného připojení katétru Icy a soupravy Start-Up Kit k jiným prostředkům s konektory o malém průměru. Chybné připojení by mohlo způsobit poranění nebo smrt pacienta.

Upozornění. Specifické spojky Luer katétru a soupravy Start-Up Kit mohou snížit riziko nechtěného připojení, ačkoli potenciál nechtěného připojení stále platí u těchto specifických aplikací zdravotnických prostředků: dýchací systémy a aplikace k dodávání plynů, enterální a gastrické aplikace, uretrální a urinární aplikace, aplikace k nafouknutí manžet k měření tlaku na končetinách, neuroaxiální aplikace a intravaskulární nebo hypodermické aplikace. Při připojení katétru ZOLL a souprav Start-Up Kit k těmto a jiným aplikacím zdravotnických prostředků vždy postupujte opatrně.

Upozornění. Ujistěte se, že katétr Icy ani souprava Start-Up Kit nejsou připojeny k intravenóznímu ani jinému zdravotnickému prostředku.

- Katétr je třeba umístit tak, aby jeho distální hrot byl v dolní duté žile pod jejím ústím do pravé síně a rovnoběžně s cévní stěnou. Rentgenovým vyšetřením je třeba zkontrolovat, zda katétr není v pravé síni nebo komoře.
- Upozornění.** Pokud v okruhu fyziologického roztoku zpozorujete krev, výkon zastavte a proveďte kontrolu těsnosti katétru.
- Možnými komplikacemi použití centrálního žilního katétru jsou například: perforace síní nebo komor, srdeční tamponáda, vzduchová embolie, katérová embolie, lacerace hrudního mízovodu (ductus thoracicus), bakteriémie, septikémie, neúmyslné propíchnutí tepny, tvorba hematomů, krvácení, poškození nervů a dysrytmie.
- Všechny spojky a uzávěry Luer-Lock musí být bezpečně dotaženy, aby se zabránilo vzduchové embolii a únikům tekutin nebo krve.
- Katétr ani vodící drát za žádných okolností neposouvajte nadměrnou silou. Narazíte-li na odpor, je třeba pomocí rentgenového vyšetření určit jeho příčinu.
- Průnik vodícího drátu do pravého srdce může způsobit dysrytmie, blokádu pravého Tawarova raménka nebo perforaci cévní stěny, síně či komory.
- K plnění katétru používejte pouze sterilní fyziologický roztok. To je kapalina, která cirkuluje v katétru.

8. U katétru je třeba pravidelně kontrolovat průtok, stav krytí, správnou polohu a těsnost spojek Luer-Lock. Ke zjištění možné změny polohy katétru používejte centimetrové značky. Potenciálním rizikem spojovaným s balónkovými katétry s více luminy je absence léčivého účinku včetně selhání infuze léčiv infuzními luminy.
9. Pouze rentgenovým vyšetřením lze zkontrolovat, zda hrot katétru nevesel do srdce nebo zda se nevychýlil z rovnoběžné polohy vůči cévní stěně. Pokud se poloha katétru změní, ověřte polohu hrotu katétru rentgenovým vyšetřením.
10. Pokud chcete provést odběr vzorku krve, dočasně uzavřete ostatní infuzní porty, jimiž se provádí infuze roztoků.
11. K odběru vzorku krve používejte pouze stříkačky o objemu 30 ml nebo menší.
12. Alkohol a aceton mohou oslabit strukturu materiálu dřívku. Při infuzi léčivých přípravků s obsahem alkoholu nebo při použití alkoholu nebo acetonu při rutinní péči o katétr a jeho údržbě je proto třeba dbát opatrnosti. K odstranění sraženin v katétru se nesmí používat alkohol.
13. Aby se zabránilo poškození katétru, používejte pouze úchytku a sponu chirurgické niti ZOLL dodávanou v soupravě.
14. Použití stříkačky o menším objemu než 10 ml k zavlažování katétru nebo k odstranění sraženin v zablokovaném katétru může způsobit intraluminální netěsnosti nebo prasknutí katétru.
15. Neprovádějte infuzi do oranžových vstupních (IN) a výstupních (OUT) spojek Luer-Lock, protože to nevede k léčebnému účinku.
16. Horečka může u pacientů mít infekční i neinfekční etiologii. Zmírňování horečky jako příznaku možné infekce vyžaduje každodenní pečlivé vyhodnocování jiných příznaků infekce.
17. Postupujte opatrně při infuzi léčivých přípravků, které mohou být ovlivněny nízkými teplotami (minimum až 4 °C). Roztoky s obsahem mannitolu jsou citlivé na teplotu a nesmí se katétre podávat kromě rychlého podání roztoku s maximálním obsahem mannitolu do 20 % s následným proplachem fyziologickým roztokem. Podání roztoků s koncentrací mannitolu vyšší než 20 % nebo podání mannitolu kapačkou či infuzní pumpou je třeba provádět prostřednictvím samostatné linky.
18. Srdeční tamponáda: Zavádění katétrů do pravé síně může vést k srdeční perforaci a tamponádě. Lékaři, kteří zavádějí centrální žilní katétry, si musí být této potenciálně fatální komplikace vědomi dříve, než katétr zavedou příliš daleko vzhledem k velikosti pacienta. Skutečnou polohu hrotu zavedeného katétru je třeba po zavedení ověřit rentgenem. Centrální žilní katétry se nesmí zavádět do pravé síně, pokud to není specificky nutné pro zvláštní relativně krátkodobé postupy, například aspiraci vzduchových embolů při neurochirurgických zákrocích. Takové postupy však s sebou nesou rizika a je nutné je pečlivě sledovat a kontrolovat.
19. Katétr je potažen heparinem. To může vyvolat nebo zhoršit preexistující heparinem indukovanou trombocytopenii (heparin induced thrombocytopenia, HIT).
20. **VAROVÁNÍ.** Při připojování infuzních setů / injekčních systémů ke katétru nepřekračujte 100 psi / 689 kPa.
21. U pacientů uvedených do hypotermie může hypotermie samotná zhoršit některé chorobné stavy. Během hypotermie je třeba dbát na řádné sledování homeostázy pacienta.
 - Poruchy srdečního rytmu – bradykardie i ventrikulární tachyarytmie.
 - Srážlivost a koagulační funkce. Pacienty, u nichž je riziko narušení srážlivosti a koagulační funkce, je třeba během hypotermie pečlivě sledovat.
 - Analýza krevních plynů a pH. Hypotermie mění klidové pH a PaCO₂. Lékaři si musí být vědomi účinku teploty na zjištěné hodnoty.
 - Dlouhodobější hypotermie potlačuje imunitní reakci a funkci plic.

VAROVÁNÍ. Intraluminální nebo balónková netěsnost. Intraluminální netěsnost (mezi lumínem fyziologického roztoku a infuzními luminy) nebo balónková netěsnost jsou možnými způsoby selhání katétru. Pokud by k takovému selhání došlo, je do těla pacienta dodán sterilní fyziologický roztok z chladicího okruhu. Intraluminální netěsnost nebo balónková netěsnost se po vyčerpání vaku s fyziologickým roztokem obvykle pojí s alarmem úniku tekutiny a systém se zastaví. **Alarmy související s hladinou tekutiny vždy musíte vyšetřit.** Chladicí okruh je uzavřený systém – alarmy úniku tekutiny obvykle značí poruchu někde v tomto uzavřeném systému. Při všech alarmech úniku tekutiny zkontrolujte celistvost katétru a soupravy Start-Up Kit (viz níže).

VAROVÁNÍ. Pokud zjistíte vyprázdňení vaku s fyziologickým roztokem nebo alarm vniknutí vzduchu, vak s fyziologickým roztokem nevyměňujte, dokud neurčíte, kde se vyskytuje netěsnost, a neprovedete vhodnou nápravu. Proveďte kontrolu těsnosti systému podle pokynů v částech Kontrola těsnosti soupravy Start-Up Kit a Kontrola těsnosti katétru níže. (Upozorňujeme, že netěsnost může být vnější nebo vnitřní.)

Opakované výměny vaku s fyziologickým roztokem bez vyšetření netěsnosti nebo úniku fyziologického roztoku mohou mít za následek nechtěnou infuzi fyziologického roztoku do těla pacienta. Infuze fyziologického roztoku může vést k těmto nežádoucím účinkům: lokálnímu zduření, které může způsobit

následné lokální poškození tkáně; systémové hyperhydrataci, která může vést k edému závislému na poloze těla a následnému kožnímu defektu; hyperhydrataci vnitřního orgánu s následným přetížením mozku, plic nebo srdce. V některých případech může hyperhydratace vést k život ohrožujícím událostem.

Upozornění. Konzole při vyprázdnění vaku s fyziologickým roztokem spustí alarm. Aby se hladina fyziologického roztoku v odvodušňovači snížila natolik, že se spustí alarm, musí být vak zcela prázdný a další fyziologický roztok musí uniknout mezi bodcovým konektorem fyziologického roztoku a odvodušňovačem.

Kontrola těsnosti soupravy Start-Up Kit

1. Zkontrolujte, zda odvodušňovač vykazuje známky kondenzace. Pokud ano, otřete ho a nainstalujte zpět do konzole. V případě alarmu vniknutí vzduchu ověřte, že se alarm po tomto kroku zruší.
2. Pečlivě zkontrolujte, zda se na dráze fyziologického roztoku od vaku s fyziologickým roztokem ke konzoli nevyskytují netěsnosti. Zkontrolujte, zda fyziologický roztok není na podlaze, konzoli či posteli pacienta.
3. Pokud zjistíte fyziologický roztok na podlaze, konzoli či posteli pacienta, zkontrolujte, zda spojky Luer na katétru a soupravě Start-Up Kit nejsou naprasklé nebo poškozené a že spoje jsou dostatečně těsné.
4. Pokud zjistíte netěsnost v soupravě Start-Up Kit, vyměňte ji a zkontrolujte těsnost katétru.
5. Pokud nezjistíte netěsnost v soupravě Start-Up Kit, pravděpodobně je netěsný katétr. Proveďte další vyšetření.

Kontrola těsnosti katétru

1. Odpojte soupravu Start-Up Kit od katétru. Katétr i soupravu Start-Up Kit řádně aseptickým postupem opatřete uzávěrem.
2. Naplňte sterilní 10ml stříkačku s hrotem bez závitů sterilním fyziologickým roztokem.
3. Připojte ji ke vstupní (IN) spojce Luer katétru a odstraňte uzávěr na výstupní (OUT) spojce. Vstříkněte 10 ml fyziologického roztoku – měl by vytékat výstupní (OUT) spojkou Luer. Pokud fyziologický roztok nevytéká výstupní (OUT) spojkou Luer, indikuje to netěsnost katétru.
4. Opatřete výstupní (OUT) spojku Luer uzávěrem a natáhněte 5 ml k vytvoření podtlaku. Udržujte minimálně 10 sekund. Do stříkačky by se měly natáhnout až 4 ml fyziologického roztoku (nikoli krev) a měli byste být schopni udržet podtlak. Pokud ve stříkačce vidíte stopy krve nebo nelze udržet podtlak, indikuje to netěsnost katétru.
5. Pokud zjistíte netěsnost katétru, vyměňte ho.
6. Vyměňte vak s fyziologickým roztokem a znovu naplňte soupravu Start-Up Kit.
7. Zkontrolujte těsnost spojek Luer soupravy Start-Up Kit a pokračujte v léčbě.

Potřebný materiál

Množství	Popis
1	Souprava katétru Icy k perkutánnímu zavedení
1	500ml vak sterilního fyziologického roztoku (není součástí dodávky)
1	Souprava Start-Up Kit (dodávaná zvlášť) <ul style="list-style-type: none"> • 6' (183 cm) standardní hadička nebo • 9' (274 cm) prodloužená hadička
1	Konzole Coolgard nebo Thermogard (dodávaná zvlášť)
1	Pomocná souprava Catheter Convenience Kit [pouze pro (CO)]
1	Teplotní sonda YSI-400 (není součástí dodávky)

Příprava a zavedení katétru

Poznámka. Katétr je opatřen rentgenkontrastním proužkem, který usnadňuje jeho identifikaci při zavádění a po zavedení při zobrazení rentgenovým zařízením. Na proximálním konci proximálního balónku je jeden proužek. Hrot katétru je rentgenkontrastní vzhledem k obsahu síranu barnatého.

Používejte sterilní techniku.

Upozornění. Vstupní (IN) a výstupní (OUT) spojky Luer-Lock tohoto katétru jsou vyráběné na míru a určené k připojení pouze k soupravě Start-Up Kit uvedené v části Potřebný materiál.

Příprava katétru

1. Uvedte pacienta do polohy vleže na zádech.
2. Podle potřeby připravte a zarouškujte místo vpichu.
3. Opatrně vyjměte katétru z balení, membránový kryt katétru přitom ponechte na místě.
4. Odstraňte uzávěry ze vstupní (IN) a výstupní (OUT) spojky Luer. Nechte kryt katétru na místě; naplňte stříkačku (5 ml nebo větší) sterilním fyziologickým roztokem a připojte ji ke vstupní (IN) samičí spojkce Luer.
VAROVÁNÍ. Pokud je výstupní (OUT) spojka Luer opatřena uzávěrem, za žádných okolností neaplikujte přetlak do vstupní (IN) spojky Luer.
5. Opatrně vstříkujte fyziologický roztok do katétru, dokud nezačne vytékat z výstupní (OUT) spojky Luer.
6. Pomocí 5ml nebo větší stříkačky propláchněte distální, proximální a mediální infuzní spojky Luer sterilním fyziologickým roztokem. Proximální a mediální infuzní spojky Luer zasvorkujte nebo na ně nasadte injekční uzávěry. Distální spojku Luer ponechte bez uzávěru, aby jí mohl projít vodicí drát.

Upozornění. Infuzní spojky Luer katétru před zavedením katétru do těla pacienta vždy plňte.

7. Odstraňte membránový kryt katétru. Pokud při odstraňování membránového krytu z katétru pocítíte odpor, propláchněte membránový kryt sterilním fyziologickým roztokem. Zkontrolujte katétru a přesvědčte se, že membrána pro výměnu tepla byla odvodušněna. Zkontrolujte, zda katétru nevykazuje netěsnosti.

Upozornění. Dbejte, abyste potažený katétru nadměrně neotírali. Neotírejte katétru suchou gázou, protože by mohlo dojít k poškození jeho povlaku. Při přípravě katétru nepoužívejte alkohol, antiseptické roztoky ani jiná ředidla, protože by to mohlo způsobit nepředvídatelné změny povlaku, které by mohly ovlivnit bezpečnost a funkci prostředku.

VAROVÁNÍ. Neupravujte délku katétru seřiznutím.

Zavedení katétru

VAROVÁNÍ. Používejte pouze přístup přes femorální žílu.

1. Standardní perkutánní technikou zajistíte přístup přes femorální žílu. Přístup je třeba udržovat 0,032" (0,81mm) vodicím drátem. Viz Návod k použití vodicího drátu.
VAROVÁNÍ. Nepokoušejte se znovu zavést zaváděcí jehlu OTN (over the needle, přes jehlu) částečně nebo zcela vytaženou ze svého katétru.
Upozornění. S katétre nepoužívejte drát větší než 0,032" (0,81 mm).
2. Držte vodicí drát na místě a odstraňte zaváděcí katétru.
Upozornění. Po celou dobu pevně držte vodicí drát.
3. Místo vpichu na kůži zvětšete ostřím skalpelu směrem od vodicího drátu.
VAROVÁNÍ. Nepřeřízněte vodicí drát. Místo podle potřeby zvětšete cévním dilatátorem. Nenechávejte cévní dilatátor na místě jako zavedený katétru, abyste minimalizovali riziko perforace stěny.
4. Navlékněte hrot katétru na vodicí drát. Při nasazování katétru dostatečně pevně držte vodicí drát. Uchopte hrot katétru v blízkosti pokožky a katétru posuňte do žíly. Posouvajte dále katétru po vodicím drátu, prsty uchopte místo bezprostředně proximálně od balónku.
5. Používejte centimetrové značky na katétru jako referenční body pro polohu katétru a katétru posuňte alespoň ke značce minimální hodnoty, aby byl proximální infuzní port v cévě.
6. Držte katétru v požadované hloubce a vyjměte vodicí drát. Pokud pocítíte odpor, až budete po zavedení katétru vyjmát vodicí drát, důvodem může být zakroucení vodicího drátu u hrotu katétru. Pokud narazíte na odpor, stáhněte katétru zpět oproti vodicímu drátu přibližně o 2–3 cm a pokuste se vodicí drát vyjmout. Pokud na odpor narazíte znovu, vyjměte vodicí drát a katétru současně.
Upozornění. Nevyvíjejte na vodicí drát nadměrnou sílu.
7. Zkontrolujte, zda je vodicí drát po vyjmutí neporušený.
8. Zkontrolujte umístění katétru: připojte stříkačku k distální infuzní spojkce Luer a nasávejte, dokud nebudete pozorovat volný tok žilní krve. Infuzní spojku Luer připojte podle potřeby k odpovídající lince se spojkou Luer-Lock. Nepoužívaný infuzní port lze „zamknout“ injekčním uzávěrem podle standardního postupu nemocnice. Na hadičce je k dispozici posuvná svorka, kterou lze zablokovat průtok infuzní spojkou Luer při výměnách linek a injekčních uzávěrů.

Upozornění. Aby se minimalizovalo riziko poškození hadičky nadměrným tlakem, svorka se musí před zahájením infuze spojkou Luer otevřít.

Upozornění. Vstupní (IN) a výstupní (OUT) linky nezavírejte svorkami ani jinak neblokuje. Mohlo by dojít k zablokování linky a možnému selhání.

9. Na dočasnou dobu zabezpečte a zakryjte místo zavedení a katétru.

10. Ihned po zavedení ověřte polohu hrotu katétru rentgenem hrudníku. Rentgenové vyšetření musí prokázat, že katétru je v dolní duté žíle a jeho distální konec je rovnoběžný s její stěnou. Pokud je hrot katétru v nesprávné poloze, upravte polohu a zkontrolujte znovu.
11. Proximální rentgenokontrastrní značka označuje proximální konec balónku. Zkontrolujte, zda balónek je zcela uvnitř cévy. Pokud je katétru v nesprávné poloze, upravte polohu a zkontrolujte znovu.
12. Katétru připevňte k pacientovi. Abyste minimalizovali riziko pohybu katétru, používejte jako primární místo přišití křídélka úchytky.
13. Jako další upevňovací bod může také posloužit úchytky a spona chirurgické niti ZOLL. Zkontrolujte, že tělo katétru je zajištěné a neklouže.

Upozornění. Používejte pouze úchytky a sponu chirurgické niti ZOLL dodávanou v soupravě. Při použití jiných úchytek a spon může dojít k poškození katétru.

Upozornění. Nešijte přímo na vnější průměr katétru, aby se minimalizovalo riziko nařiznutí nebo poškození katétru či omezení průtoku katétre.

14. Místo vpichu zakryjte podle standardního postupu nemocnice. O místo zavedení pečujte pravidelnými pečlivými převazy při dodržení aseptického postupu.
 15. Do karty pacienta zaznamenejte délku zavedeného katétru; jako reference poslouží centimetrové značky na dítku katétru. Je nutné často vizuálně kontrolovat, zda katétru nezměnil polohu.
 16. Připojte ke katétru naplněnou soupravu Start-Up Kit: Připojte samčí spojku Luer soupravy Start-Up Kit do samičí vstupní spojky Luer katétru (označená „IN“). Připojte samičí spojku Luer soupravy Start-Up Kit do samčí výstupní spojky Luer katétru (označená „OUT“). Prodlužovací vstupní (IN) a výstupní (OUT) hadičky jsou pro snazší identifikaci označeny volně připojenými bílými značkami s potiskem „ZOLL“.
- Poznámka.** Vstupní (IN) a výstupní (OUT) spojky Luer soupravy Start-Up Kit jsou určeny k připojení pouze ke vstupním (IN) a výstupním (OUT) spojkám Luer katétru a nejsou určené k připojení standardních stříkaček s konektorem Luer-Lock. Mají specifické spoje ZOLL a pro snadnou identifikaci jsou oranžové.
17. Zkontrolujte, že na koncích spojek Luer je dostatečné množství sterilního fyziologického roztoku k vytvoření spoje bez přítomnosti vzduchu. Viz návod k použití.

VAROVÁNÍ. Nesprávné připojení soupravy Start-Up Kit ke katétru by mohlo mít za následek selhání katétru. Spojky Luer soupravy Start-Up Kit (oranžové) nepřipojujte k modrým, bílým ani hnědým spojkám Luer.

Upozornění. Soupravu Start-Up Kit nepřipojujte k distálnímu portu.

Upozornění. Nenasazujte na linku uzavírací kohouty, u nichž by mohlo dojít k neúmyslnému uzavření. Mohlo by dojít k zablokování linky a možnému selhání.

18. Čerpejte fyziologický roztok soupravou Start-Up Kit a katétre a zkontrolujte, že všechna spojení jsou těsná a nedochází k únikům. Podle návodu k použití nechte uniknout veškerý vzduch zbývající v systému.

Odpojení katétru od konzole

1. Zastavte oběh fyziologického roztoku katétre.
2. Odpojte soupravu Start-Up Kit od katétru.
3. V zájmu zachování sterilních spojení okamžitě opatřete sterilními uzávěry spojky Luer katétru i soupravy Start-Up Kit nebo vzájemně připojte vstupní (IN) a výstupní (OUT) spojku Luer.

Připojení katétru zpět ke konzoli

1. Odstraňte uzávěry ze spojek Luer katétru a soupravy Start-Up Kit. Uzávěry ze spojek Luer zlikvidujte nebo rozpojte propojené vstupní (IN) a výstupní (OUT) spojky Luer.
2. Připojte soupravu Start-Up Kit ke katétru: Připojte samčí spojku Luer soupravy Start-Up Kit do samičí vstupní (IN) spojky Luer katétru. Připojte samičí spojku Luer soupravy Start-Up Kit do samčí výstupní (OUT) spojky Luer katétru. Vstupní (IN) a výstupní (OUT) spojky Luer soupravy Start-Up Kit a katétru jsou oranžové. Zkontrolujte, že na koncích spojek Luer je dostatečné množství sterilního fyziologického roztoku k vytvoření spoje bez přítomnosti vzduchu.

VAROVÁNÍ. Nesprávné připojení soupravy Start-Up Kit ke katétru by mohlo mít za následek selhání katétru.

VAROVÁNÍ. Nepoužívejte vstupní (IN) a výstupní (OUT) spojky Luer pro standardní infuzní porty centrálního žilního katétru. Slouží pouze pro připojení ke konzoli Coolgard/Thermogard. Vstupní (IN) a výstupní (OUT) spojky Luer soupravy Start-Up Kit jsou určeny k připojení pouze ke vstupním (IN) a výstupním (OUT) spojkám Luer katétru. Mají specifické spoje ZOLL a pro snadnou identifikaci jsou oranžové.

Upozornění. Nenasazujte na linku žádné další uzavírací kohouty, u nichž by mohlo dojít k neúmyslnému uzavření. Mohlo by dojít k zablokování linky a možnému selhání.

Vyjmutí katétru

1. Zastavte čerpání fyziologického roztoku katétre.
2. Odpojte soupravu Start-Up Kit od katétru. **Odstraňte uzávěr ze vstupní (IN) a výstupní (OUT) spojky Luer katétru (případně spojky ponechte bez uzávěru).** Zbytkový fyziologický roztok tak bude moci být vytlačen z okruhu. Při vytahování katétru dojde ke stlačení balónek. Fyziologický roztok v balóncích musí mít možnost z balónku odtéct, jinak se balónek nevyprázdní a katétr bude obtížně vyjmout.
3. Volitelný postup je ke vstupní (IN) spojce Luer připojit 20ml nebo 25ml stříkačku. Vytáhněte píst a 15 sekund udržte podtlak, aby z balónkové části katétru byl před vyjmutím katétru odstraněn zbytkový fyziologický roztok.
4. Uvedte pacienta do polohy vleže na zádech. Odstraňte krytí. Odstraňte stehy z místa přišití.
VAROVÁNÍ. Nenasazujte uzávěr na výstupní (OUT) spojku Luer.
5. Pomalu katétr vyjměte z těla pacienta. Při průchodu katétru ven místem zavedení vyvíjte tlak krytím, které neumožňuje průchod vzduchu (např. gázou impregnovanou vazelinou).
VAROVÁNÍ. Katétr neposouvajte, pokud pocítíte odpor. Zkontrolujte, že vstupní (IN) a výstupní (OUT) spojky Luer chladicího okruhu NEJSOU opatřeny uzávěry. Pokud uzávěry opatřeny jsou, uzávěry odstraňte, vyprázdněte balónek a zkuste katétr vyjmout znovu. Pokud nadále narážíte na odpor, je třeba pomoci rentgenového vyšetření určit jeho příčinu.

Informace o bezpečnosti při vyšetření MR



MR přípustné za určitých podmínek

Katétr pro intravaskulární výměnu tepla Icy je podmíněně bezpečný pro MR. Pacienta s tímto katétre lze bezpečně snímkovat při dodržení níže uvedených podmínek. Nedodržení těchto podmínek může mít za následek poranění pacienta.

Parametr	Hodnota/popis
Jmenovité hodnoty statického magnetického pole (T)	1,5 T a 3,0 T
Maximální prostorový gradient pole (T/m a G/cm)	40 T/m (4 000 G/cm)
Typ RF excitace	Kruhová polarizace (tj. kvadraturní)
Informace pro vysílací RF cívkou	Pro vysílací RF cívkou neplatí žádná omezení. Lze tedy použít následující: tělovou vysílací RF cívkou a všechny ostatní kombinace RF cívek (tj. tělovou RF cívkou v kombinaci s libovolnou výhradně přijímací RF cívkou, vysílací/přijímací RF hlavovou cívkou, vysílací/přijímací RF kolenní cívkou atd.).
Provozní režim MR systému	Normální provozní režim
Max. měrný absorbovaný výkon přepočtený na celé tělo (SAR)	2 W/kg (normální provozní režim)
Limit délky snímání	SAR přepočtený na celé tělo 2 W/kg po dobu 60 minut nepřetržité expozice RF (tj. na pulzní sekvenci nebo bez přerušení po sobě jdoucí sekvence/série)
Artefakt v obrazu MR	Přítomnost tohoto implantátu dává vzniknout artefaktu při zobrazování. Pokud se tedy implantát nachází v oblasti zájmu, věnujte náležitou pozornost volbě parametrů pulzní sekvence.
VAROVÁNÍ	Konzole ZOLL Coolgard a Thermogard jsou pro MR nebezpečné, a nesmí se proto vnášet do MR vyšetřovny. Katétr je tedy nutné od konzole odpojit předtím, než pacienta přemístíte do MR vyšetřovny.

Návod k použití vodicího drátu

Poznámka. Tyto informace platí pouze pro použití vodicích drátů v rámci Seldingerovy techniky zavedení katétru do cévního řečiště.

Varování

Dodaný vodicí drát je určen pouze pro jednorázové použití. Neresterilizujte ani nepoužívejte opakovaně. Po vyjmutí z těla pacienta nezavádějte znovu.

Pokud při zavádění nebo vyjímání narazíte na odpor, vodicím drátem přestaňte pohybovat. Skiaskopicky zjistíte příčinu odporu a proveďte příslušná opatření.

Pokud vodicí drát posouváte stentem, buďte mimořádně opatrní. Použití vodicího drátu v cévách se stenty přináší další riziko pro pacienta.

Upozornění

Vodicí drát nevyjímejte skrz kovové jehly; mohlo by dojít k seřiznutí vodicího drátu.

Vodicí dráty jsou jemné a křehké, a je s nimi proto nutné pracovat obzvlášť opatrně. Zamezte ohýbání či zauzlení. Neužívejte poškozené vodicí dráty.

Při skladování a výkonech nesmotávejte vodicí drát do smyček o průměru menším než 8 palců (20,32 cm), protože ve smyčkách menšího průměru je vodicí drát vystaven nadbytečnému namáhání a může dojít k jeho překroucení. Ke skladování vodicího drátu a manipulaci s ním optimálně slouží dodávaný dávkovač.

Po celou dobu výkonu musí být k dispozici dostatečná volná délka vodicího drátu, aby ho bylo možné pevně přidržovat.

Dávkovač

Všechny vodicí dráty se dodávají v dávkovacím balení v tyvekovém vaku. Vyjměte vodicí drát z tyvekového vaku. Těsně před použitím vodicího drátu odstraňte ochrannou krytku vodicího drátu. Před zavedením vodicí drát připravte. Doporučuje se dávkovač naplnit heparinizovaným roztokem (např. fyziologického roztoku nebo dextrózy), aby vodicí drát při zavádění procházel touto lázní.

Vodicí drát předtvarovaný do „J“ se vrátí do svého tvaru po vyjmutí z dávkovače.



1. Ochranná krytka vodicího drátu

Kontrola

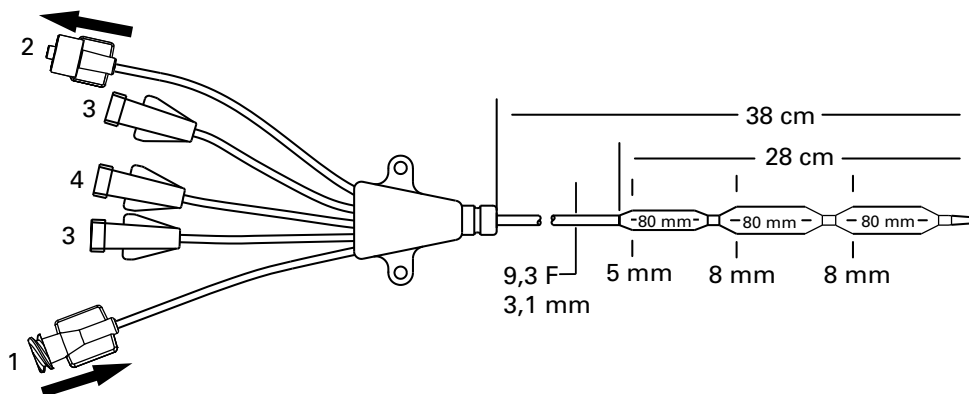
Vodící drát před použitím prohlédněte a zlikvidujte ho, pokud zjistíte jakékoli deformace. Polohu vodícího drátu je třeba pravidelně sledovat rentgenem nebo skiaskopicky.

Postup

1. Napíchněte cévu.
2. Založte vodící drát do ústí jehly a opatrně zasuňte 5–10 cm vodícího drátu do napíchnuté cévy. Zaveďte vodící drát do požadované polohy.
Upozornění. Vodícím drátem nepohybujte nešetrně ani příliš velkou silou, abyste zabránili poškození vodiče a cévy.
3. Odstraňte jehlu z vodícího drátu.
4. Mírným otáčivým pohybem dilatátorem dilatujte tkáň a cévu.
5. Odstraňte dilatátor (cévní dilatátor je určen pouze pro dilataci cév).
6. Zaveďte katétru posouváním po vodícím drátu.
7. Vyjměte vodící drát.

Katétra Icy

1. Vstupní (IN) spojka Luer
2. Výstupní (OUT) spojka Luer
3. Infuzní porty
4. Distální spojka Luer



©2024 ZOLL Medical Corporation. Všechna práva vyhrazena.
ZOLL a Icy jsou ochranné známky nebo registrované ochranné známky ZOLL Medical Corporation a/nebo ZOLL Circulation, Inc. ve Spojených státech amerických a/nebo v jiných zemích. Všechny ochranné známky jsou majetkem příslušných vlastníků.

Patent: www.zoll.com/patents

Hrvatski (hr)

Modeli IC-3893AE/8700-0782-40 i IC-3893CO/8700-0782-14

Komplet intravaskularnih katetera za izmjenu topline Icy® uključuje:

Količina	Opis
1 AE(CO)	Intravaskularni kateter za izmjenu topline Icy 9,3 F x 38 cm Trostruki Luer-priključak za infuziju Stežaljke produžne linije Radiološki nepropusna ovojnica Obloženo heparinskim slojem Applause
1 AE(CO)	Vodilica 0,032" (0,81 mm) x 75 cm
1 AE(CO)	Dilatator za krvnu žilu 10,5 F x 0,038" (3,6 mm x 1,0 mm)
1 AE(CO)	Odvojiva spojnica i kopča za šavove
1 AE	Radiopakni OTN kateter 18 G x 2 ½" (1,3 mm x 63 mm)
1 AE	Štrcaljka od 5 ccm s iglom 22 G x 1 ½" (0,7 mm x 38 mm)
1 AE	Fenestrirana prekrivka
1 AE	Igla 18 G x 2 ¾" (1,3 mm x 70 mm)
6 AE	Kompresa od gaze 4" x 4" (10 cm x 10 cm)
1 AE	Kirurški konac 000, svila
1 AE	Kirurški nožić br. 11 s dugom drškom

Napomena - Komponente kompleta po modelima

Svaki osnovni model dostupan je sa (AE) ili bez standardnog pratećeg kompleta pribora za uvođenje (CO). U tabeli iznad oznakom AE(CO) označene su komponente koje su zajedničke za obje vrste kompleta. Dodatne komponente koje se nalaze samo u standardnom kompletu označene su s AE.

Opis proizvoda

Intravaskularni kateter za izmjenu topline Icy („kateter Icy” ili „kateter”) je jednokratni, sterilni fleksibilni kateter od 9,3 F osmišljen za postavljanje u donju šuplju venu uvođenjem kroz femoralnu venu. Kateter Icy namijenjen je za priključivanje na jednokratni Start-Up Kit ZOLL® i konzole Coolgard® ili Thermogard® („konzola”) (isporučuju se zasebno). Dilatator i vodilica potrebni su za perkutano uvođenje katetera Icy. Tri Luer-priključka namijenjena su za infuziju i uzimanje uzoraka krvi.

Priključak za infuziju	Brzina protoka	Volumen punjenja
Distalni (smeđi)	1700 ml/h	0,5 ccm
Medijalni (bijeli)	900 ml/h	0,4 ccm
Proksimalni (plavi)	1200 ml/h	0,4 ccm

Površine katetera koje dolaze u kontakt s krvi (vršak, balon i ovojnica) tretirani su heparinskim premazom Applause koji ima antitrombotička svojstva.

Sterilnost

Sterilizirano etilenoksidom. Kateter se isporučuje sterilan za jednokratnu uporabu te se ne smije resterilizirati. Pakiranje prije upotrebe treba pregledati kako bi se provjerilo da sterilnost nije ugrožena.

Čuvanje

Čuvati na hladnom suhom mjestu. Izbjegavati smrzavanje i pretjerano zagrijavanje.

Namjena

Kateter Icy u kombinaciji sa sustavom Coolgard ili Thermogard omogućuje cirkulaciju fiziološke otopine kontrolirane temperature kroz toplinski izmjenjivač radi hlađenja/grijanja krvi bolesnika kod kojih postavljanje centralnog venskog puta ne predstavlja rizik. Maksimalno razdoblje primjene: 4 dana.

Kontraindikacije

- Rizici povezani s kateterom u suštini su jednaki rizicima povezanim s centralnim venskim linijama. Kateter se ne smije koristiti kod pacijenata kod kojih postavljanje centralne venske linije nije indicirano.
- Hemoragična diateza.
- Aktivna sepsa.
- Infekcija ili aktivno krvarenje na mjestu insercije katetera.
- Bolesnici koji nemaju otvoren venski put ili kod kojih u krvožilni sustav se ne može uvesti kateter, uključujući bolesnike s ugrađenim filtrom u šupljoj veni ili drugim implantatima koji onemogućuju prolaz katetera.
- Pacijenti za koje se ne može uspostaviti potreban nadzor temperature.
- Hipotermija je kontraindicirana u bolesnika koji imaju hematološke bolesti koje se hipotermijom mogu pogoršati (npr. bilo koja bolest koja uzrokuje krioglobulinemiju, bilo koja hemoglobinopatija kod kojih hladnoća može izazvati hemolitičnu anemiju uključujući bolest srpastih stanica ili talasemiju).
- Nije namijenjeno za primjenu u pedijatriji i neonatologiji.

Upozorenja, mjere opreza i neželjene reakcije

Centralnu vensku kateterizaciju smije izvoditi samo dobro obučeno osoblje koje dobro poznaje anatomiju i sigurnu tehniku. Osoblje treba također poznavati moguće komplikacije.

UPOZORENJE

Kateter se smije uvesti samo pristupom kroz femoralnu venu. Pazite da kateter ne bude postavljen u desni atrij ili desni ventrikul. Postavljanje u desni atrij ili desni ventrikul može imati za posljedicu ozljedu bolesnika ili smrt.

Samo za jednokratnu uporabu. Proizvod je namijenjen samo za jednokratnu uporabu. Nemojte resterilizirati ili ponovno upotrijebiti. Kada se jednom ukloni iz bolesnika više se ne smije uvoditi. Ne činiti nikakve izmjene na kateteru.

Potencijalne opasnosti ponovne primjene proizvoda za jednokratnu uporabu uključuju, ali nisu ograničene na:

- Potencijalne infekcije opasne po život
- Toksični šok zbog razgradnje materijala
- Povećana opasnost od tromboze
- Smanjena moć izmjene topline
- Neispravna funkcija proizvoda

UPOZORENJE. Kateter Icy i komplet Start-Up Kit potencijalno mogu biti krivo spojeni s konektorima malih promjera drugih medicinskih uređaja. Takva kriva spajanja mogu uzrokovati ozljedu ili smrt bolesnika.

Pozor. Prilagođeni Luer-priključci sadržani u kateteru i kompletu Start-Up Kit mogu smanjiti rizik od pogrešnih spajanja, ali i dalje postoji mogućnost pogrešnog spajanja u ovim određenim primjenama medicinskih uređaja: primjenama sustava za disanje i primjenama plinova, enteralnoj i želučanoj primjeni, uretralnoj i urinarnoj primjeni, primjeni prilikom napuhivanja manšete, neuroaksijalnoj primjeni te intravaskularnoj ili hipodermičnoj primjeni. Budite uvijek oprezni kada katetere i komplete Start-Up Kits tvrtke ZOLL spajate na ove ili druge medicinske uređaje.

Pozor. Provjerite da kateter Icy i/ili komplet Start-Up Kit nisu spojeni na infuziju ili neki drugi medicinski uređaj.

- Kateter treba postaviti tako da njegov distalni vršak bude u donjoj šupljij veni ispod spoja vene i desnog atrija i paralelno sa stjenkom krvne žile. Pomoću rendgenske snimke treba se provjeriti da kateter nije plasiran u desnu pretkljetku ili kljetku.
- Mjere opreza.** Ako se u krugu kojime cirkulira fiziološka otopina primijeti krv, zaustavite postupak i provjerite postoji li propuštanje u kateteru.
- Moguće komplikacije kod centralnih venskih katetera uključuju: perforaciju atrija ili ventrikula, tamponadu srca, zračnu emboliju, emboliju katetera, laceraciju duktusa toracikusa, bakterijemiju, sepsu, trombozu, nehotičnu punkciju arterija, nastanak hematoma, krvarenja, oštećenja živaca i aritmiju.
- Svi priključci tipa Luer i zatvarači moraju biti pričvršćeni kako bi se spriječila zračna embolija ili gubitak tekućine ili krvi.
- Prilikom pomicanja katetera ili žice vodilice nikada nemojte koristiti prekomjernu silu. Osjetite li pritom otpor, potrebno je učiniti rtg-snimku kako bi se utvrdio razlog otpora.
- Prolazak žice vodilice u desni dio srca može uzrokovati aritmiju, blok desne grane, perforaciju stjenke žile, ili perforaciju pretkljetke ili kljetke.
- Za primarno punjenje katetera koristiti samo sterilnu fiziološku otopinu. Ona je cirkulirajuća tekućina u kateteru.

8. Kateter se mora rutinski pregledavati i provjeravati brzinu protoka, učvršćenost povoja, ispravan položaj katetera i jesu li Luer-Lock priključci čvrsti. Da biste prepoznali je li se položaj katetera promijenio, poslužite se oznakama centimetara. Potencijalni rizik udružen s primjenom višelumenskih balonskih katetera je izostanak terapije, uključujući nemogućnost infundiranja medikamentozne terapije kroz lumen za infuziju.
9. Samo rtg-snimkom može se provjeriti nije li vršak katetera dospio u srce i da više ne leži paralelno sa stjenkom krvne žile. Ako se položaj katetera promijenio učinite rtg-snimke kako biste potvrdili položaj vrška katetera.
10. Za uzimanje uzoraka krvi privremeno isključite preostale priključke za infuziju kroz kojih se infuzija primjenjuje.
11. Za uzimanje uzoraka krvi koristite se samo štrcaljkom od 30 ccm ili manjom.
12. Alkohol i aceton mogu oslabiti strukturu materijala ovojnice. Stoga je potreban oprez prilikom infuzije lijekova koji sadrže alkohol ili kada se koristi alkohol ili aceton pri obavljanju rutinskih poslova njege i održavanja katetera. Alkohol se ne smije koristiti za odčepljivanje katetera.
13. Koristite samo kopču za šavove ZOLL i spojnicu isporučenu s kompletom kako biste spriječili oštećivanje katetera.
14. Upotreba štrcaljke manje od 10 ml za irigaciju ili odčepljivanje začepljenog katetera može prouzročiti intraluminalno curenje ili rupturu katetera.
15. Nemojte infundirati kroz narančasti IN (ULAZNI) i OUT (IZLAZNI) Luer-Lock priključak, jer će to imati za posljedicu izostanak terapije.
16. Groznica u bolesnika može biti infektivnog ili neinfektivnog uzroka. Ublažavanje groznice, kao znaka moguće infekcije zahtijeva svakodnevnu, pedantnu procjenu drugih znakova infekcije.
17. Budite oprezni prilikom infuzije lijekova na koje niske temperature mogu imati utjecaj (i do 4 °C). Otopine koje sadrže manitol osjetljive su na temperaturu i ne smiju se infundirati kroz kateter, osim u slučaju brz infuzije otopine do najveće koncentracije manitola od 20 %, nakon čega je kateter potrebno proštrcati fiziološkom otopinom. Infundiranje manitola koncentracije veće od 20 % infuzijom ili pomoću infuzijske pumpe mora se odvijati zasebno linijom.
18. Tamponada srca: Postavljanje trajnih katetera u desnu pretkljetku je postupak koji može dovesti do perforacije i tamponade srca. Oni koji postavljaju centralni venski kateter moraju biti svjesni ove potencijalno smrtonosne komplikacije prije uvođenja katetera predaleko u odnosu na veličinu pacijenta. Pravi položaj vrška katetera za uvađanje treba potvrditi rtg-snimkom nakon insercije. Centralne venske katetere ne bi trebalo postavljati u lijevu pretkljetku, osim ako se to posebno ne zahtijeva u izuzetnim, relativno kratkotrajnim postupcima, kao što je aspiracija zračnog embolusa tijekom neurokirurškog zahvata. Takvi postupci nisu bez rizika i potrebno je provoditi pažljivi nadzor i kontrolu.
19. Kateter je obložen slojem s heparinom. To može inducirati ili pogoršati već postojeću heparinom induciranu trombocitopeniju (HIT).
20. **UPOZORENJE.** Prilikom spajanja kompleta za infuziju/sustava ubrizgavanja na kateter, nemojte prekoračiti 100 psi/689 kPa.
21. Kod pacijenata podvrgnutih hipotermiji, sama hipotermija može pogoršati neke bolesti i stanja. Treba obratiti pozornost na pravilan nadzor homeostaze u pacijenata tijekom hipotermije.
 - Poremećaji srčanog ritma, kako bradikardija tako i ventrikularna tahiaritmija.
 - Zgrušavanje i funkcija koagulacije. Pacijente s rizikom od poremećaja zgrušavanja ili njihove koagulacijske funkcije treba tijekom hipotermije pomno nadzirati.
 - Plinovi u krvi i pH analiza. Hipotermija mijenja pH i PaCO₂ u mirovanju. Liječnici trebaju biti svjesni učinka temperature na rezultate.
 - Produžena hipotermija suprimira imunološki odgovor i funkciju pluća.

UPOZORENJE. Intraluminalno ili balonsko propuštanje. Intraluminalno propuštanje (između lumena fiziološke otopine i lumena infuzije) ili balonsko propuštanje može značiti neispravnu funkciju katetera. U slučaju neispravne funkcije, u pacijenta će dospjeti sterilna fiziološka otopina iz sustava za hlađenje. Intraluminalno propuštanje ili balonsko propuštanje obično se povezuje s alarmom za gubitak tekućine nakon što se potroši vrećica fiziološke otopine i zaustavi sustav. **Uvijek potražite razlog uključivanja alarma gubljenja tekućine.** Sustav za hlađenje je zatvoreni kružni sustav - alarmi gubitka tekućine obično ukazuju na probijanje u jednom dijelu tog zatvorenog kruga. Kad se oglasi alarm gubljenja tekućine, provjerite cjelovitost katetera i sustava Start-Up Kit (vidjeti u nastavku).

UPOZORENJE. Ako primijetite potrošenu vrećicu fiziološke otopine ili alarm kolektora zraka, nemojte mijenjati vrećicu fiziološke otopine prije nego što utvrdite mjesto propuštanja i poduzmete odgovarajuće mjere za smanjivanje. Provjerite propuštanja sustava prema uputama u odjeljcima u nastavku. Provjerite propuštanje sustava Start-Up Kit i Provjerite propuštanje katetera. (Napominjemo da propuštanja mogu biti vanjska ili unutarnja.)

Uzastopne zamjene vrećice fiziološke otopine bez istraživanja propuštanja ili gubitka fiziološke otopine mogu dovesti do nenamjerne infuzije fiziološke otopine u pacijenta. Infuzija fiziološke otopine može dovesti do sljedećih štetnih

učinaka: lokalnog oticanja koje može uzrokovati posljedično lokalno oštećenje tkiva; sustavnog preopterećenja tekućinom koje može dovesti do ovisnog edema i posljedične lezije kože; preopterećenja unutarnjih organa tekućinom, s posljedičnim preopterećenjem mozga, pluća ili srca. U nekim slučajevima to preopterećenje tekućinom može dovesti do događaja opasnih po život.

Pozor. Konzola emitira alarm kada je vrećica fiziološke otopine prazna. Vrećica mora biti potpuno prazna, a dodatna fiziološka otopina morala se iscijediti između šiljka fiziološke otopine i kolektora zraka kako bi razina fiziološke otopine u kolektoru zraka dovoljno pala da pokrene alarm.

Provjerite propuštanje sustava Start-Up Kit

1. Provjerite kondenzaciju u kolektoru zraka. Ako kolektor zraka pokazuje znakove kondenzacije, obrišite ga i ponovno ga postavite u konzolu. U slučaju alarma kolektora zraka, provjerite je li alarm kolektora zraka poništen nakon ovog koraka.
2. Pažljivo provjerite ima li propuštanja fiziološke otopine između vrećice fiziološke otopine i konzole. Provjerite ima li fiziološke otopine na podu, konzoli ili krevetu pacijenta.
3. Ako na podu, konzoli ili krevetu pacijenta ima fiziološke otopine, provjerite jesu li Luer-priključci na kateteru i sustavu Start-Up Kit napukli ili oštećeni te jesu li spojevi dovoljno čvrsti da spriječe propuštanje.
4. Ako nađete propuštanje na sustavu Start-Up Kit, zamijenite Start-Up Kit i provjerite postoji li propuštanje i na kateteru.
5. Ako ne pronađete propuštanje na sustavu Start-Up Kit, vjerojatno postoji propuštanje na kateteru. Istražite dalje.

Provjerite propuštanje katetera

1. Odvojite sustav Start-Up Kit od katetera. Začepite kateter i komplet Start-Up Kit na odgovarajući način koristeći se aseptičnom tehnikom.
2. Napunite sterilnom fiziološkom otopinom štrcaljku s tankim vrškom od 10 ml.
3. Spojite štrcaljku na IN Luer katetera i odvojite OUT zatvarač. Uštrcajte 10 ml fiziološke otopine – trebala bi istjecati iz OUT Luera. Ako fiziološka otopina ne istječe iz OUT Luera, to ukazuje na propuštanje katetera.
4. Vratite zatvarač na OUT Luer i povucite 5 ccm vakuuma. Zadržite ga najmanje 10 sekundi. Najviše 4 ml fiziološke otopine (ne krvi) trebalo bi ući u štrcaljku i trebali biste moći održati vakuum. Ako se u štrcaljki vide tragovi krvi ili se vakuum ne može održavati, to ukazuje na propuštanje katetera.
5. Ako pronađete propuštanje katetera, zamijenite kateter.
6. Zamijenite vrećicu fiziološke otopine i ponovno napunite sustav Start-Up Kit.
7. Osigurajte da Luer spojevi ne propuštaju na sustavu Start-Up Kit i nastavite s terapijom.

Potrebni materijali

Količina	Opis
1	komplet katetera Icy za perkutano uvađanje
1	vrećica s 500 ccm sterilne fiziološke otopine (ne isporučuje se s proizvodom)
1	komplet Start-Up Kit (isporučuje se zasebno) <ul style="list-style-type: none"> • 6 ft (183 cm) sustav standardnih cjevčica ili • 9 ft (274 cm) sustav produženih linija cjevčica
1	konzola Coolgard ili Thermogard (isporučuju se zasebno)
1	odgovarajući pribor za kateter [samo za (CO)]
1	YSI-400 temperaturna sonda (ne isporučuje se s kompletom)

Priprema katetera i njegova insercija

Napomena. Kateter ima radiološki nepropusne oznake u obliku pruga radi olakšavanja identifikacije katetera tijekom i nakon uvođenja kada se prikazuje s pomoću opreme za rtg snimanje. Proksimalni kraj proksimalnog balona ima jednu prugu kao marker. Vršak katetera sadrži barjev sulfat kako bi bio radiološki nepropusan.

Koristite sterilnu tehniku.

Pozor. IN i OUT Luer-Lock priključci na ovom kateteru proizvedeni su po mjeri i namijenjeni su samo za spajanje s kompletom Start-Up Kit navedenim u odjeljku Potrebni materijali.

Priprema katetera

1. Postavite pacijenta u položaj na leđima.
2. Pripremite i garnirajte mjesto uboda po potrebi.
3. Pažljivo izvadite kateter iz pakiranja, ostavljajući zaštitnu membranu na kateteru.
4. Skinite kapice s IN i OUT Luer-priključaka. Dok je zaštitna membrana na svom mjestu, ispunite štrcaljku (5 cm ili veću) sterilnom fiziološkom otopinom i spojite je na ženski IN Luer-priključak.
UPOZORENJE. Nikad ne inicirajte pozitivni tlak u IN Luer-priključak dok je zatvarač na OUT Luer-priključku.

5. Nježno inicirajte fiziološku otopinu kroz kateter sve dok ne počne uzlaziti na OUT Luer-priključku.

6. Pomoću štrcaljke od 5 cm ili veće, fiziološkom otopinom proštrcajte distalni, proksimalni i medijalni Luer-priključak za infuziju. Stezaljkom stegnite ili postavite zatvarače predviđene za injekciju na proksimalni i medijalni Luer-priključak za infuziju. Distalni Luer-priključak ostavite otvoren za prolaz žice vodilice.

Pozor. Prije uvođenja katetera u bolesnika uvijek ispunite Luer-priključke fiziološkom otopinom.

7. Uklonite zaštitnu membranu s katetera. Ako se prilikom uklanjanja zaštitne membrane s katetera javlja otpor, isperite membranu sterilnom fiziološkom otopinom. Pregledajte kateter i provjerite je li zrak istisnut iz membrane za izmjenu topline. Provjerite da na kateteru nema tragova curenja.

Pozor. Izbjegavajte pretjerano brisanje obloženog katetera. Izbjegavajte brisanje katetera suhom gazom, jer to može oštetiti oblogu katetera. Izbjegavajte uporabu alkohola, dezinficirajućih otopina ili drugih otapala za brisanje katetera prije uporabe, jer to može uzrokovati nepredvidive promjene obloge što može utjecati na sigurnost primjene i funkciju katetera.

UPOZORENJE. Nemojte rezati kateter kako biste mu mijenjali dužinu.

Uvođenje katetera

UPOZORENJE. Koristite samo pristup kroz femoralnu venu.

1. Pristupite femoralnoj veni pomoću standardne perkutane tehnike. Pristup veni treba održavati pomoću žice vodilice od 0,032" (0,81 mm). Pogledati Upute za uporabu žice vodilice.
UPOZORENJE. Nemojte pokušavati ponovo uvesti djelomično ili potpuno izvršenu iglu OTN (over the needle) introduktora s katetera.
Pozor. S kateterom nemojte upotrebljavati vodilicu deblju od 0,032" (0,81 mm).
2. Držeći vodilicu u mjestu uklonite kateter introduktora.
Pozor. Čitavo vrijeme čvrsto držite žicu vodilicu.
3. Proširite ubod na koži s pomoću skalpela usmjerujući oštri rub nožića od vodilice.
UPOZORENJE. Nemojte prerezati vodilicu. Koristite dilatator za krvnu žilu za proširenje uboda prema potrebi. Dilatator za krvnu žilu nemojte ostaviti u mjestu poput katetera za uvađanje, kako biste smanjili rizik od moguće perforacije stijenke krvne žile.
4. Navucite vršak katetera preko vodilice. Čvrsto držite žicu vodilicu čitavo vrijeme dok uvodite kateter. Hvatajući vršak katetera u blizini kože, nastavite s uvađanjem katetera u venu. Nastavite s uvađanjem katetera preko vodilice, postavljajući prste neposredno proksimalno od balona.
5. Pomažući se oznakama centimetara na kateteru kao referentnim točkama pozicioniranja katetera, nastavite s uvođenjem katetera najmanje do minimalne oznake, kako biste bili sigurni da je proksimalni otvor infuzije u krvnoj žili.
6. Držeći kateter na željenoj dubini izvucite vodilicu. Ako pri pokušaju izvlačenja vodilice osjetite otpor nakon što je kateter uveden, možda je vodilica presavinuta na vršku katetera. Ako se javi otpor, povucite kateter u odnosu na žicu vodilicu za oko 2-3 cm i pokušajte ukloniti žicu vodilicu. Ako se ponovno naiđe na otpor, izvucite vodilicu i kateter istovremeno.
Pozor. Ne primjenjujte nepotrebnu silu na žicu vodilicu.
7. Nakon vađenja provjerite je li žica vodilica čitava.
8. Provjerite položaj lumena tako na Luer-priključak distalnog lumena za infuziju spojite štrcaljku i aspirirate dok se ne primijeti slobodni tok krvi. Spojite Luer-priključak za infuziju na odgovarajući Luer-Lock infuzijske linije prema potrebi. Nekorišteni priključak za infuziju može biti „zaključan“ preko injekcijske kapice korištenjem standardnog bolničkog protokola. Na linijama se nalaze klizne stezaljke koje služe za prekidanje protoka kroz Luer-priključak za infuziju za vrijeme mijenjanja infuzijske linije i promjene zatvarača za injekciju.
Pozor. Da biste smanjili opasnost od oštećenja linije uslijed pretjeranog pritiska, stezaljka mora biti otpuštena prije infuzije kroz Luer.

Pozor. Nemojte postavljati stezaljku na IN ili OUT liniju. To može uzrokovati blokadu linije i moguću neispravnu funkciju katetera.

9. Privremeno učvrstite i previjte mjesto insercije i kateter.
10. Neposredno nakon postavljanja katetera provjerite položaj njegovog vrška rtg-snimkom grudnog koša. Rendgenska snimka mora pokazati da je kateter smješten u donjoj šupljijoj veni s distalnim krajem katetera paralelnim sa stjenkom šuplje vene. Ako vršak katetera nije dobro pozicioniran, premjestite ga i ponovo provjerite snimanjem.
11. Proksimalna radiološki nepropusna oznaka pokazuje proksimalni kraj balona. Vodite računa da je balon potpuno u krvnoj žili. Ako je kateter u nepravilnom položaju, ponovno ga postavite i ponovno provjerite.
12. Učvrstite kateter na bolesniku. Koristite bočna krilca spojnice za šavove za postavljanje primarnog šava kako bi se smanjio rizik od pomicanja katetera.
13. Za dodatno učvršćenje može se također koristiti spojnica i kopča za šavove ZOLL. Provjerite da je tijelo katetera učvršćeno i da ne klizi.
Pozor. Koristite samo spojnicu i kopču za šavove tvrtke ZOLL isporučene s kompletom. U slučaju uporabe druge vrste spojnice i kopče za šavove može doći do oštećenja katetera.

Pozor. Nemojte postavljati šav izravno na vanjski promjer katetera, kako bi se smanjila opasnost od urezivanja ili oštećenja katetera ili ometanja protoka kroz kateter.

14. Previjte mjesto uboda prema bolničkom protokolu. Održavajte mjesto insercije redovitim pedantnim previjanjem koristeći sterilnu tehniku.
15. Zabilježite u povijest bolesti dužinu uvedenog katetera služeći se oznakama centimetara na kateteru. Potreban je česti vizualni pregled kako bi se provjerilo da se kateter nije pomaknuo.
16. Spojite ispunjeni komplet Start-Up Kit na kateter: Muški Luer-priključak kompleta Start-Up Kit spojite na ženski IN Luer-priključak katetera (označen „IN“). Ženski Luer-priključak kompleta Start-Up Kit spojite na muški OUT Luer-priključak katetera (označen „OUT“). Bijele oznake „ZOLL“ labavo su pričvršćene na produžne cjevčice IN i OUT radi lakše identifikacije.

Napomena. IN i OUT Luer-priključki kompleta Start-Up Kit namijenjeni su samo za spajanje na IN i OUT Luer-priključke katetera i nisu namijenjeni za spajanje sa standardnim Luer-Lock štrcaljkama. Oni imaju na sebi spojeve ZOLL izrađene po mjeri i obojeni su narančasto radi lakše identifikacije.

17. Provjerite da u izlazima Luer-priključaka ima dovoljno fiziološke otopine kako spojevi ne bi sadržavali zrak. Pogledajte priručnik za rad.
UPOZORENJE. Ako sustav Start-Up Kit ne spojite na odgovarajući način s kateterom, može doći do neispravne funkcije katetera. Ne spajajte narančaste Luer-priključke kompleta Start-Up Kit na plave, bijele ili smeđe Luer-priključke za infuziju.

Pozor. Ne priključujte sustav Start-Up Kit na distalni priključak.

Pozor. Ne stavljajte kokot na liniju koja se može nehotice isključiti. To može uzrokovati blokadu linije i moguću neispravnu funkciju katetera.

18. Pokrenite crpkom fiziološku otopinu kroz komplet Start-Up Kit i kateter kako biste provjerili jesu li svi spojevi dobro učvršćeni i ima li propuštanja. Ispustite sav zrak iz sustava kako je opisano u priručniku za rad.

Odvajanje katetera od konzole

1. Zaustavite cirkulaciju fiziološke otopine pomoću pumpe kroz kateter.
2. Odvojite sustav Start-Up Kit od katetera.
3. Da bi spojevi ostali sterilni, odmah zatvorite zatvaračem Luer-priključke katetera i kompleta Start-Up Kit koristeći se sterilnim Luer-zatvaračima ili spojite IN i OUT Luer-priključke jedan s drugim.

Ponovno povezivanje katetera s konzolom

1. Skinite Luer-zatvarače s Luer-priključaka katetera i kompleta Start-Up Kit. Uklonite kapice ili odvojite IN i OUT Luer-priključke jedan od drugoga.
2. Spojite komplet Start-Up Kit na kateter: Muški Luer-priključak kompleta Start-Up Kit spojite na ženski IN Luer-priključak katetera. Ženski Luer-priključak kompleta Start-Up Kit spojite na muški OUT Luer-priključak katetera. IN i OUT Luer-priključki kompleta Start-Up Kit i katetera su narančaste boje. Provjerite da u izlazima Luer-priključaka ima dovoljno fiziološke otopine kako spojevi ne bi sadržavali zrak.
UPOZORENJE. Ako sustav Start-Up Kit ne spojite na odgovarajući način s kateterom, može doći do neispravne funkcije katetera.
UPOZORENJE. Nemojte upotrebljavati IN i OUT Luer-spojeve kao priključke standardne centralne venske linije. Oni su namijenjeni samo za priključivanje konzole Coolgard/Thermogard. IN i OUT Luer-priključki kompleta Start-Up Kit namijenjeni su samo za spajanje na IN i OUT Luer-priključke katetera. Oni imaju na sebi spojeve ZOLL izrađene po mjeri i obojeni su narančasto radi lakše identifikacije.

Pozor. Ne stavljajte dodatne kokote u liniju koja se može nehotice isključiti. To može uzrokovati blokadu linije i moguću neispravnu funkciju katetera.

Uklanjanje katetera

1. Zaustavite cirkulaciju fiziološke otopine pomoću pumpe kroz kateter.
2. Odvojite sustav Start-Up Kit od katetera. **Skinite kapice s IN i OUT Luer-priključaka katetera ili ih ostavite otvorene.** To će omogućiti istjecanje ostale fiziološke otopine iz sustava. Čim je kateter izvučen, baloni se prazne. Fiziološka otopina u balonima mora slobodno istjecati ili se u protivnom baloni neće isprazniti, što će otežati izvlačenje katetera.
3. Moguće je priključiti štrcaljku od 20 ili 25 ccm na IN Luer-priključak katetera. Povucite klip i zadržite vakuum 15 sekundi kako bi se zaostala fiziološka otopina uklonila iz balona katetera prije nego započnete izvlačiti kateter.
4. Postavite pacijenta u položaj na leđima. Uklonite povoj. Uklonite šavove. **UPOZORENJE.** Nemojte staviti Luer-zatvarač na OUT Luer-priključak.
5. Polako izvucite kateter iz pacijenta. Nakon što je kateter izučen, mjesto pritisnite tupferom koji ne propušta zrak (npr. vazelinskom gazom). **UPOZORENJE.** Ne izvlačite kateter ako osjetite otpor. Provjerite da IN i OUT Luer-priključci NISU zatvoreni zatvaračem. Ako su zatvarači postavljeni, skinite ih, ispraznite balon i ponovno pokušajte izvući kateter. Ako i dalje nailazite na otpor, potrebno je učiniti rendgensko snimanje kako bi se utvrdio razlog otpora.

Sigurnosne informacije za magnetsku rezonanciju



Uvjetna sigurnost u uvjetima magnetske rezonancije

Intravaskularni kateter za izmjenu topline lcy uvjetno je siguran u uvjetima magnetske rezonancije. Bolesnici s ovim kateterom mogu biti sigurno snimani u sljedećim uvjetima. Nepridržavanje ovih uvjeta može imati za posljedicu ozljedu bolesnika.

Parametar	Uvjet
Nazivne vrijednosti statičke jakosti magnetskog polja (T)	1,5 T i 3,0 T
Maksimalno polje prostornog gradijenta (T/m i gauss/cm)	40 T/m (4,000 gauss/cm)

Upute za uporabu žice vodilice

Napomena. Ove se informacije odnose samo na upotrebu žice vodilice kod Seldingerove tehnike uvađanja katetera u krvnu žilu.

Upozorenje

Isporučena žica vodilica namijenjena je samo za jednokratnu uporabu. Nemojte resterezilirati ili ponovno upotrijebiti. Kada se jednom ukloni iz bolesnika više se ne smije uvoditi.

Osjetite li otpor prilikom njezinog uvođenja ili izvlačenja nemojte je više pomicati. Utvrdite razlog pomoću fluoroskopije i poduzmite odgovarajuće mjere ako je potrebno.

Budite izuzetno oprezni kada vodicom prolazite kroz stent. Primjena vodilice u stentom tretiranim krvnim žilama predstavlja dodatni rizik.

Opres

Izbjegavajte izvlačenje vodilice kroz metalne igle, jer tako mogu puknuti.

Zbog nježne i krhke građe žice vodilice, njome treba rukovati posebno pažljivo. Izbjegavajte savijanje ili presavijanje. Ne koristite oštećene žice vodilice.

Tijekom čuvanja ili rukovanja izbjegavajte motanje žice vodilice u promjer manji od 8 inča (20,32 cm) budući da manji promjer vrši nepotrebno naprezanje žica vodilica i može uzrokovati presavijanje žica vodilica. Isporučeni dispencer je najbolji način za pohranu žice vodilice i njeno rukovanje.

Dovoljna dužina vodilice mora ostati izložena kako bi se cijelo vrijeme mogla čvrsto pridržavati rukom.

Parametar	Uvjet
Vrsta pobuđivanja radiofrekvencijom	Kružno polarizirano (CP) (odnosno kvadraturno)
Informacije o RF zavojnici za prijenos signala	Ne postoje ograničenja u pogledu RF zavojnice za prijenos signala. Prema tome, dopuštena je uporaba sljedećih zavojnica: RF zavojnice za prijenos signala za tijelo i svih ostalih kombinacija RF zavojnica (odnosno RF zavojnica za tijelo u kombinaciji s bilo kojom RF zavojnicom samo za primanje signala, RF zavojnica za glavu za prijenos/ primanje signala, RF zavojnica za koljeno za prijenos/primanje signala itd.)
Način rada sustava magnetske rezonancije	Uobičajeni način rada
Najveća SAR vrijednost (prosječna specifična stopa apsorpcije) cijelog tijela	2-W/kg (uobičajeni način rada)
Ograničenja u pogledu trajanja snimanja	Prosječna SAR vrijednost cijelog tijela od 2-W/kg tijekom 60 minuta stalne izloženosti radiofrekvenciji (odnosno po pulsnoj sekvenciji ili uzastopnim sekvencijama/serijama bez prekida)
Artefakt na MR-snimkama	Prisustvo ovog implantata stvara artefakt na snimci. Zbog toga je potrebno pažljivo odabrati parametre pulsne sekvencije ako se implantat nalazi u području interesa.
UPOZORENJE	ZOLL konzole Coolgard i Thermogard nisu sigurne za primjenu u uvjetima magnetske rezonancije, zbog čega se te konzole ne smiju nalaziti u prostorijama sa sustavom MR-a. Stoga je kateter potrebno odvojiti od sustava prije premještanja bolesnika u prostoriju sa sustavom MR-a.

Dispencer

Svaka žica vodilica isporučuje se pakirana u dispenceru unutar vrećice od Tyvek-materijala. Izvadite vodicu iz vrećice od Tyvek-materijala. Neposredno prije primjene vodilice uklonite zaštitni zatvarač. Pripremite žicu vodicu prije insercije. Preporučuje se dispencer ispuniti hepariniziranim otopinom (npr. fiziološkom otopinom ili otopinom dekstroze) kako bi se vodicu vlažila tijekom insercije.

Preformirana J-vodilica ponovno će poprimiti svoj izvorni oblik nakon što se izvadi iz dispencera.



1. Zaštitni zatvarač žice vodilice

Pregled

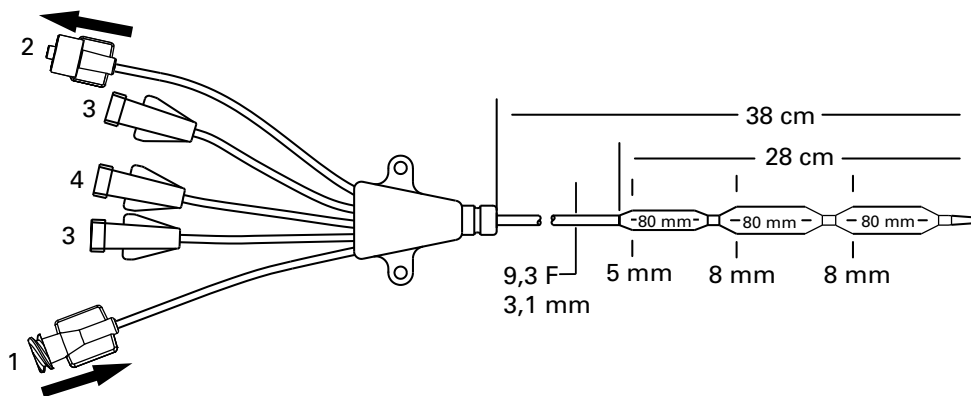
Prije uporabe pregledajte žicu vodilicu i u slučaju bilo kakvog deformiteta bacite ju. Žicu vodilicu treba rutinski nadzirati rendgenskim snimanjem ili fluoroskopijom.

Tehnika

1. Punktirajte krvnu žilu.
2. Uvedite vodilicu u ulazni otvor igle i nježno uvedite 5 - 10 cm vodilice u punktiranu krvnu žilu. Uvedite vodilicu do željenog položaja.
Pozor. Izbjegavajte grubo ili pretjerano snažno manipuliranje žicom vodilicom kako ne bi došlo do oštećenja žice vodilice ili žile.
3. Uklonite iglu sa žice vodilice.
4. Dilatirajte tkivo i krvnu žilu pomoću dilatatora koristeći se laganim rotirajućim pokretima.
5. Uklonite dilatator (dilatator krvne žile namijenjen je samo za vaskularnu dilataciju).
6. Uvedite kateter prevlačeći ga preko vodilice.
7. Uklonite vodilicu.

Kateter Icy

1. IN Luer-priključak
2. OUT Luer-priključak
3. Priključci za infuziju
4. Distalni Luer-priključak



©2024. ZOLL Medical Corporation. Sva prava zadržana. ZOLL i Icy zaštitni su znakovi ili registrirane marke tvrtke ZOLL Medical Corporation i/ili ZOLL Circulation Inc. u Sjedinjenim Državama i/ili drugim državama. Svi zaštitni znakovi su vlasništvo njihovih vlasnika.

Patent: www.zoll.com/patents

Magyar (hu)

IC-3893AE/8700-0782-40 és IC-3893CO/8700-0782-14 típus

Az Icy® intravaszkuláris hőcserélőkatéter-készlet tartalma:

Mennyiség	Leírás
1 AE(CO)	Icy intravaszkuláris hőcserélő katéter 9,3 French × 38 cm Hármas infúziós Luer-csatlakozó Toldalékcső-szorítókapcsok Sugárfogó hüvely Applause heparinbevonat
1 AE(CO)	Vezetődrót 0,032 hüvelyk (0,81 mm) × 75 cm
1 AE(CO)	Értágító 10,5 F × 0,038 hüvelyk (3,6 mm × 1,0 mm)
1 AE(CO)	Leválasztható varratfűl és kapocs
1 AE	18 ga × 2½ hüvelyk (1,3 mm × 63 mm) méretű sugárfogó OTN (over the needle – tű mentén mozgatott) katéter
1 AE	5 cm ³ -es fecskendő és 22 ga × 1½ hüvelyk (0,7 mm × 38 mm) méretű tű
1 AE	Ablakos izolálókendő
1 AE	18 ga × 2¼ hüvelyk (1,3 mm × 70 mm) méretű tű
6 AE	4 hüvelyk × 4 hüvelyk (10 cm × 10 cm) méretű gézpárnák
1 AE	000-s selyem varrófonal
1 AE	11-es sebészi szike hosszú nyéllal

Megjegyzés – a készlet komponensei típus szerint

Mind egyik alaptípus kapható szabványos bejuttatás segítő készlettel (AE) vagy anélkül (CO). A mindkét készletben megtalálható komponensek AE(CO) jelöléssel szerepelnek a fenti táblázatban. A további, kizárólag a hagyományos készletben megtalálható komponensek AE jelöléssel láthatók.

Eszközleírás

Az Icy intravaszkuláris hőcserélő katéter („Icy katéter” vagy „katéter”) egy steril, egyszer használatos, hajlítható, 9,3 F méretű katéter, amelyet a vena femoralison levő behatolási ponton keresztül kell a vena cava inferiorban elhelyezni. Az Icy katétert egy egyszer használatos, eldobható ZOLL® indítókészlettel és a Coolgard® vagy Thermogard® konzolsaláddal („konzol”) (külön kaphatók) kell összekapcsolni. Értágító és vezetődrót szükséges az Icy katéter perkután bevezetéséhez. Három Luer-csatlakozó áll rendelkezésre az infúzió bejuttatására és a mintavételre.

Infúziós nyílás	Áramlási sebesség	Feltöltési térfogat
Disztális (barna)	1700 ml/óra	0,5 cm ³
Mediális (fehér)	900 ml/óra	0,4 cm ³
Proximális (kék)	1200 ml/óra	0,4 cm ³

A katéter vérrrel érintkező felületeit (katétercsúcscs, ballon és hüvely) Applause heparinnal kezelték trombózis ellen.

Sterilitás

Etilén-oxiddal sterilizálva. A katéter steril kerülettel kerül forgalomba, egyszer használatos, és tilos újraszterilizálni. Használat előtt vizsgálja meg, hogy a sterilizációt biztosító védőzár nem sérült-e meg a csomagon.

Tárolás

Hűvös, száraz helyen tárolandó. Kerülje a fagyasztást és a túl magas hőmérsékletet.

Alkalmazási terület

A Coolgard vagy Thermogard rendszerrel kombinált Icy katéter lehetővé teszi szabályozott hőmérsékletű sóoldat hőcserélőn keresztül történő keringetését a beteg vérének lehűtése/felmelegítése érdekében azoknál a betegeknél, akiknél igazoltan kockázatos a centrális katéter használata. A használat maximális időtartama: 4 nap.

Ellenjavallatok

1. A katéter használatának kockázatai lényegében megegyeznek a centrális katéter használatának kockázataival. Ezt a katétert tilos olyan betegeknél használni, akiknél nem javallott a centrális katéter behelyezése.
2. Vérzések diathesis.
3. Aktív szepszis.
4. Fertőzés vagy aktív vérzés a katéter bevezetésének helyén.
5. Olyan betegeknél, akiknél nem hozható létre érhozzáférés, vagy az érrendszerükbe nem lehet katétert bevezetni, beleértve azokat a betegeket, akiknek vena cava szűrő vagy olyan más egyéb eszköz van beültetve, ami gátolja a katéter áthaladását.
6. Olyan betegek, akiknél nem kivitelezhető a szükséges hőmérséklet-monitorozás.
7. A hypothermia ellenjavallt azoknál a betegeknél, akiknek a hematológiai betegsége hypothermia hatására súlyosbodhat, így pl. cryoglobulinaemiát okozó betegségek, illetve olyan haemoglobinopathiák esetében, amelyeknél a hideg haemoliticus anaemiát válthat ki, beleértve a sárlősejtes anaemiát vagy a thalassemiát.
8. Az eszköz nem alkalmas gyermekeken vagy csecsemőkön történő használatra.

Figyelmeztetések, óvintézkedések, nemkívánatos reakciók

A centrális vénás katéterezést kizárólag jól képzett személyzet végezheti, akik jól ismerik az anatómiai tájékozódási pontokat, valamint a biztonságos technikákat. A személyzetnek a lehetséges szövődeményeket is ismernie kell.

FIGYELMEZTETÉS

A katétert kizárólag a vena femoralison keresztül szabad bevezetni. Ne helyezze a katétert a jobb pitvarba vagy a jobb kamrába. A jobb pitvarban vagy a jobb kamrában történő elhelyezés a beteg súlyos sérüléséhez vagy halálához vezethet.

Kizárólag egyszeri használatra. A termék kizárólag egyszer használatos. Ne sterilizálja vagy használja fel újra. Ne vezesse vissza a betegbe, miután már egyszer eltávolította. Semmilyen módon ne módosítsa a katétert.

Az egyszer használatos eszközök ismételt felhasználásával összefüggő potenciális kockázatok többek között az alábbiak:

- potenciálisan életveszélyes fertőzés,
- toxikus sokk kialakulása az anyagok lebomlása miatt,
- thrombosis kialakulásának megnövekedett kockázata,
- a hőcserélési teljesítmény csökkenése,
- az eszköz meghibásodása.

FIGYELMEZTETÉS. Lehetséges, hogy az Icy katéter és indítókészlet más eszközök kis belső átmérőjű csatlakozóival helytelenül csatlakozik. Az ilyen csatlakozási hibák a beteg sérülését vagy halálát eredményezhetik.

Figyelem. A katéter és indítókészlet egyedi Luer-csatlakozói csökkenthetik a helytelen csatlakozások lehetőségét, azonban még így is fennáll a helytelen csatlakozás lehetősége az alábbi specifikus orvosi eszközök alkalmazásával: Lélegeztető rendszerek és gázbeáramoltató alkalmazások, enterális és gastricus alkalmazások, húgycső- és húgyúti alkalmazások, végtagelszorító mandzsetták alkalmazásai, neuraxiális alkalmazások, valamint intravaszkuláris vagy bőr alatti alkalmazások. Mindig legyen körültekintő, amikor ZOLL katétereket és indítókészleteket csatlakoztat ezekhez az orvosi eszközökhöz.

Figyelem. Bizonyosodjon meg arról, hogy az Icy katéter és/vagy indítókészlet nem csatlakozik intravénás rendszerhez vagy más orvosi eszközökhöz.

1. A katétert úgy kell elhelyezni, hogy a disztális csúcscsa a vena cava inferioron belül helyezkedjen el annak jobb pitvarba történő betorkollása alatt, párhuzamosan az érfallal. Röntgenvizsgálattal ellenőrizze, hogy a katéter nem a jobb pitvarban vagy kamrában van-e.
2. **Vigyázat.** Ha vér kerül a sóoldatkörbe, állítsa le az eljárást, és végezze el a katéter szivárgásának ellenőrzését.

3. A centrális vénás katéterekkel összefüggő lehetséges szövőd-mények közé tartoznak a következők: a pitvar vagy a kamra perforálódása, szívtamponád, légembólia, katéter okozta embólia, a ductus thoracicus elszakadása, bacteriaemia, septicaemia, thrombosis, az artéria véletlen átszúrása, vérömleny kialakulása, vérzés, idegsérülés és ritmuszavarok.
4. Az összes Luer-zárás csatlakozót és záróspékát szorosan meg kell húzni a légembólia, illetve a folyadék- vagy vérvésztés megakadályozása érdekében.
5. A katéter vagy a vezetődrt mozgatasakor soha ne alkalmazzon túlzottan nagy erőt. Ha ellenállásba ütközik, végezzen röntgenvizsgálatot az ellenállás okának megállapításához.
6. A vezetődrt jobb szívfélbe történő bejuttatása ritmuszavart, jobb Tawara-szár blokkot, illetve az érfal, a pitvar vagy a kamra perforálódását okozhatja.
7. A katéter feltöltéséhez kizárólag steril sóoldatot használjon. A katéterben ez a keringő folyadék.
8. A katétert rendszeresen meg kell vizsgálni, hogy megfelelő-e az áramlási sebesség, jól rögzülnek-e a kötések, megfelelő-e a katéter elhelyezkedése, valamint jól rögzülnek-e a Luer-zárás csatlakozások. Használja a centiméter-jelöléseket a katéter elmozdulásának megállapítására. A többlumenű ballonkatéterekkel kapcsolatba hozható potenciális kockázatok a kezelés elmaradása, beleértve a gyógyszeres kezelés infúziójának át nem jutása az infúziós lumeneken keresztül.
9. Kizárólag röntgenvizsgálattal állapítható meg biztosan, hogy a katétercsúcscs nem hatolt be a szívbe, illetve hogy már nem párhuzamos az érfallal. Ha a katéter helyzete megváltozott, végezzen röntgenvizsgálatot a katétercsúcscs elhelyezkedésének ellenőrzéséhez.
10. Vértételhez ideiglenesen zárja el azokat az infúziós nyílásokat, amelyeken keresztül oldatok jutnak a betegbe.
11. A vértételhez kizárólag 30 cm³-es vagy annál kisebb fecskendőt használjon.
12. Az alkohol és az acetone meggyengítheti a katéterhüvely anyagának szerkezetét. Ezért óvatosan kell eljárni, amikor alkoholtartalmú gyógyszert infundál, vagy ha alkoholt vagy acetone használ a katéter rutinszerű ápolásához és karbantartásához. Ne használjon alkoholt a bealvadat katéter alvadékmentesítésére.
13. Kizárólag a készlethez mellékelt ZOLL varratfület és kapcsot használja a katéter károsodásának elkerülése érdekében.
14. Ha 10 ml-esnél kisebb fecskendőt használ az elzáródott katéter átöblítésére vagy alvadékmentesítésére, ez intraluminális szivárgást vagy a katéter kirepedését okozhatja.
15. Ne infundáljon a narancssárga színű „IN” (BEMENETI) és az „OUT” (KIMENETI) jelű Luer-csatlakozókon keresztül, ellenkező esetben az a terápia elmaradását eredményezheti.
16. Ha a beteg lázas, az lehet fertőzések és/vagy nem fertőzések eredetű. Ha lehetséges fertőzést jelző láz csillapítására kerül sor, akkor minden nap alaposan vizsgálja meg a beteget, nincs-e más jele fertőzésnek.
17. Körültekintően járjon el, ha olyan gyógyszert infundál, amelyre hatással lehet az alacsony hőmérséklet (akár 4 °C). A mannitol tartalmú oldatok hőérzékenyek és nem adhatók be a katéteren keresztül, kivéve ha nagy sebességgel ad be legfeljebb 20%-os mannitol oldatot, amit sóoldatos öblítés követ. Ha 20%-osnál nagyobb koncentrációjú mannitol szeretne beadni csepegtetéssel vagy infúziós pumpával, azt egy különálló csővezetéken keresztül tegye.
18. Szívtamponád: Bent maradó katéterek jobb pitvarban történő elhelyezése a szív perforációjához vagy szívtamponádhoz vezethet. A centrális vénás katétert behelyező orvosnak tisztában kell lennie ezzel a potenciálisan halálos kimenetelű szövőd-ménnyel, mielőtt a beteg testméretéhez képest túlságosan előretolná a katétert. A bent maradó katéter csúcscsának tényleges helyzetét a behelyezés után röntgenvizsgálattal kell ellenőrizni. A centrális vénás katétereket tilos a jobb pitvarba helyezni, hacsak nincs kifejezetten szükség erre egy viszonylag rövid időtartamú beavatkozás kivitelezéséhez, mint például légembólusok kiszívása idegsebészeti beavatkozás során. Az ilyen beavatkozások azonban kockázatosak, és szoros megfigyelés és kontroll mellett kell kivitelezni őket.
19. A katéter heparinnal van bevonva. Ez kiválthatja vagy súlyosbíthatja a már fennálló heparin indukálta thrombocytopeniát (HIT).
20. **FIGYELMEZTETÉS.** Amikor infúziós szereléseket/injekciós rendszereket csatlakoztat a katéterhez, ne lépje túl a 100 psi/689 kPa nyomást.
21. A hypothermiás állapotba hozandó betegek esetében maga a hypothermia súlyosbíthat egyes betegségeket. Körültekintően kell eljárni, hogy a beteg homeosztázisa megfelelően monitorozva legyen a hypothermia során.
 - Szívritmuszavarok – bradycardia és kamrai tachyarrhythmia egyaránt.
 - Vérárvadás és koaguláció. A hypothermia során szigorú megfigyelés alatt kell tartani azokat a betegeket, akiknél vérárvadási vagy koagulációs zavarok kockázata áll fent.
 - Végáz- és pH-elemzés. A hypothermia módosítja a nyugalmi pH és PaCO₂ értékét. Az orvosoknak tisztában kell lenniük a hőmérséklet mérési eredményekre gyakorolt hatásával.
 - Az elhúzó hypothermia csökkenti az immunválaszt és a tüdő működését.

FIGYELMEZTETÉS. Intraluminális szivárgás vagy a ballon szivárgása. Az intraluminális szivárgás (a sóoldatos lumen és az infúziós lumenek között) vagy a ballon szivárgása lehetséges katétermeghibásodás. Ilyen meghibásodás esetén a hűtőkörből steril sóoldat jut a beteg szervezetébe. Intraluminális szivárgás vagy a ballon szivárgása esetén jellemzően folyadékvesztést jelző riasztás lép fel, amikor a sóoldatos zsák kifogy, a rendszer pedig leáll. **Mindig vizsgálja meg, mi az oka a folyadékszint-riasztásoknak.** A hűtőkör egy zártkörű rendszer – a folyadékvesztést jelző riasztás általában azt jelenti, hogy ez a zárt kör valahol megsérült. Ha folyadékvesztést jelző riasztás lép fel, ellenőrizze a katéter és a Start-Up Kit épségét egyaránt (lásd alább).

FIGYELMEZTETÉS. Ha a sóoldatos zsák kifogyott, vagy levegő-csapdával kapcsolatos riasztás lép fel, csak azután cserélje ki a kiürült sóoldatos zsákot, hogy azonosította a szivárgás helyét, és megtette a szükséges kockázatsökkentő intézkedéseket. Az alábbi A Start-Up Kit szivárgásának ellenőrzése és A katéter szivárgásának ellenőrzése című szakaszok alapján ellenőrizze, hogy szivárogo-e a rendszer. (A szivárgás lehet külső vagy belső.)

Ha folyamatosan cseréli a sóoldatos zsákot anélkül, hogy meggyőződne a szivárgásról vagy megvizsgálja a sóoldatvesztés okát, akkor véletlenül sóoldatot juttathat a beteg szervezetébe. A sóoldat bejuttatása a következő nemkívánatos hatásokat eredményezheti: helyi duzzanat, amely később helyi szövetkárosodást okozhat; szisztémás folyadéktülszervezés, amely ödémához, majd később a bőr kisebesedéséhez vezethet; a belső szervek folyadéktülszervezése, amely később az agy, a tüdő vagy a szív tülszervezését okozhatja. Bizonyos esetekben a folyadéktülszervezés életveszélyes helyzeteket idézhet elő.

Figyelem. A konzol riaszt, amikor a sóoldatos zsák kiürül. A zsáknak teljesen üresnek kell lennie, és a maradék sóoldatnak is ki kell ürülnie a tücsatlakozó és a levegőcsapda közötti részből, hogy a levegőcsapdában lévő sóoldat szintje megfelelően lecsökkenjen ahhoz, hogy beinduljon a riasztás.

A Start-Up Kit szivárgásának ellenőrzése

1. Ellenőrizze, hogy van-e a levegőcsapdán lecsapódás. Ha a levegőcsapda lecsapódásra utaló jeleket mutat, törölje le a levegőcsapdát, majd helyezze vissza a konzolba. Ha fellép a levegőcsapdával kapcsolatos riasztás, ellenőrizze, hogy ez után a lépés után megszűnt-e a riasztást kiváltó helyzet.
2. Óvatosan ellenőrizze a sóoldat útját a sóoldatos zsáktól a konzolig szivárgásra utaló jelek után kutatva. Ellenőrizze, hogy van-e sóoldat a padlón, a konzolon vagy a beteg ágyán.
3. Ha sóoldatot talál a padlón, a konzolon vagy a beteg ágyán, akkor ellenőrizze, hogy a katéteren és a Start-Up Kiten lévő Luer-csatlakozók nem repedtek vagy sérültek-e, és hogy a csatlakozások elég szorosak-e ahhoz, hogy ne léphessen fel szivárgás.
4. Ha szivárgást észlel a Start-Up Kiten, cserélje ki a Start-Up Kitet, és ellenőrizze, hogy a katéter is szivárogo-e.
5. Ha a Start-Up Kiten nem talál szivárgást, akkor feltehetően a katéter szivárogo. Folytassa az ellenőrzést.

A katéter szivárgásának ellenőrzése

1. Válassza le az indítókészletet a katéterről. Aseptikus technikát alkalmazva tegyen sapkát a megfelelő módon a katéterre és az indítókészletre.
2. Töltsön fel egy steril 10 ml-es, nem csavaros végű fecskendőt steril sóoldattal.
3. Csatlakoztassa a fecskendőt a katéter „IN” (BEMENETI) Luer-csatlakozójához, majd távolítsa el az „OUT” (KIMENETI) zárósapkát. Fecskendezzen be 10 ml sóoldatot – az „OUT” (KIMENETI) jelű Luer-csatlakozón keresztül ki kell folynia. Ha a sóoldat nem folyik ki az „OUT” (KIMENETI) jelű Luer-csatlakozón keresztül, akkor a katéter valószínűleg szivárog.
4. Tegyen sapkát az „OUT” (KIMENETI) jelű Luer-csatlakozóra, és szívjon le 5 cm³ vákuumot. Tartsa ezt fenn legalább 10 másodpercig. Legfeljebb 4 ml sóoldatnak (nem vérnek) kell beáramolnia a fecskendőbe, és fenn kell tudnia tartani a vákuumot. Ha vérmomok lát a fecskendőben, vagy a vákuumot nem lehet fenntartani, az a katéter szivárgására utal.
5. Ha a katéter szivárgását észleli, cserélje ki a katétert.
6. Cserélje ki a sóoldatos zsákot, és tölts fel újra a Start-Up Kitet.
7. Ellenőrizze, hogy a Luer-csatlakozók elég szorosan vannak-e csatlakoztatva a Start-Up Kithöz ahhoz, hogy ne léphessen fel szivárgás, majd folytassa a kezelést.

Szükséges felszerelés

Mennyiség	Leírás
1	Icy katéterkészlet a perkután bevezetéshez
1	500 cm ³ -es steril, normál sóoldatos zsák (nincs a készletben)
	Indítókészlet (külön kapható)
1	<ul style="list-style-type: none">• 6 láb (183 cm) standard csővezeték vagy• 9 láb (274 cm) meghosszabbított csővezeték
1	Coolgard vagy Thermogard konzol (külön kapható)
1	Kényelmi katéterkészlet (kizárólag [CO] esetében)
1	YSI-400 hőmérő szonda (nincs a készletben)

A katéter előkészítése és bevezetése

Megjegyzés. A katéteren sugárfogó jelölés található, amely a katéter behelyezés alatti és utáni helyzetének röntgenvizsgálattal történő azonosítását segíti. A proximális ballon proximális végén is található egy jelölés. A katétercsúcson bárium-szulfát tartalmú sugárfogó jelölés található.

Alkalmazzon steril technikát.

Figyelem. Ezen a katéteren az „IN” (BEMENETI) és az „OUT” (KIMENETI) jelű Luer-csatlakozók egyedi gyártásúak, és kizárólag a Szükséges felszerelés című részben felsorolt indítókészlettel csatlakoztathatók.

A katéter előkészítése

1. Helyezze el a beteget hanyatt fekvő helyzetben.
2. Szükség szerint készítse elő és izolálja a punkció helyét.
3. Óvatosan vegye ki a katétert a csomagolásból úgy, hogy a membránborítás rajta maradjon.
4. Vegye le a sapkát az „IN” (BEMENETI) és az „OUT” (KIMENETI) jelű Luer-csatlakozóról. A katéter borítását a helyén hagyva tölts fel a fecskendőt (5 cm³-est vagy nagyobbat) steril sóoldattal, és csatlakoztassa az „IN” (BEMENETI) jelű Luer-csatlakozóaljzatba.
FIGYELMEZTETÉS. Soha ne fejtessen ki pozitív nyomást az „IN” (BEMENETI) jelű Luer-csatlakozón keresztül, ha az „OUT” (KIMENETI) jelű Luer-csatlakozón zárósapka van.
5. Óvatosan fecskendezze át a sóoldatot a katéteren, amíg el nem kezd kifolyni az „OUT” (KIMENETI) jelű Luer-csatlakozón.

6. 5 cm³-es vagy nagyobb fecskendő segítségével öblítse át steril sóoldattal a disztális, a proximális és a mediális infúziós Luer-csatlakozót. Leszorítóval zárja el a proximális és a mediális infúziós Luer-csatlakozót, vagy csatlakoztasson rájuk injekciós zárósapkát. A vezetődrót bevezetésének biztosítása érdekében hagyja nyitva a disztális Luer-csatlakozót.

Figyelem. A betegbe történő bevezetés előtt mindig tölts fel a katéter infúziós Luer-csatlakozóit.

7. Távolítsa el a katéter membránborítását. Ha ellenállásba ütközik a membránborítás katéterről történő eltávolításakor, akkor steril sóoldattal öblítse le a membránborítást. Vizsgálja meg a katétert, hogy minden levegő el lett-e távolítva a hőcserélő membránból. Vizsgálja meg a katétert, hogy szivárog-e.

Figyelem. Kerülje a bevonattal rendelkező katéter túlzott megtörlését. Kerülje a katéter száraz gézzel történő megtörlését, mert ez károsíthatja a katéter külső bevonatát. Kerülje a katéter előkezelését alkohollal, fertőtlenítő oldatokkal vagy egyéb oldószerekkel, mivel az előre nem megjósolható változásokat eredményezhet a külső bevonatban, ami az eszköz biztonságosságát és működését veszélyeztetheti.

FIGYELMEZTETÉS. Ne vágja el a katétert a hosszának módosítása érdekében.

A katéter bevezetése

FIGYELMEZTETÉS. Kizárólag vena femoralison keresztül történő megközelítést alkalmazzon.

1. A szabványos perkután technikák alkalmazásával hozzon létre behatolási helyet a vena femoralison. A hozzáférést egy 0,032 hüvelykes (0,81 mm-es) vezetődróttal kell fenntartani. Lásd a Vezetődrót használati utasítás című részt.
FIGYELMEZTETÉS. Ne kísérelje meg ismételt visszavezetni a katéteréből részlegesen vagy teljesen kihúzott OTN (over the needle – túl mentén mozgatott) bevezetőtűt.
2. A vezetődrótot a helyén tartva távolítsa el a bevezetőkatétert.
Figyelem. A vezetődrótot mindig szorosan tartsa meg.
3. A szike vágóélével a vezetődróttól távolodó mozdulattal tágtítsa ki a bőrön levő punkciós területet.
FIGYELMEZTETÉS. Ne vágja el a vezetődrótot. Szükség szerint alkalmazzon értágítót a terület kitértására. Az érfal-perforáció kockázatának minimálisra csökkentése érdekében ne hagyja az értágítót a helyén bent maradó katéterként.
4. Vezesse a katéter csúcsát a vezetődróra. A katéter bevezetése során a vezetődrótot tartsa meg szorosan. A katétert a bőrhöz közel fogja meg, és vezesse tovább a vénába. Haladjon tovább a katéter csúcsával a vezetődróton túl úgy, hogy ujjait a ballon proximális oldalának közvetlen szomszédságába helyezze.
5. A katéteren levő centiméter-jelöléseket használva elhelyezési referenciapontként tolja előre a katétert legalább a minimális számjelzésig, hogy meggyőződjön arról, hogy a proximális infúziós nyílás az érben van.
6. Tartsa a katétert a kívánt helyen, és távolítsa el a vezetődrótot. Ha ellenállást érez a vezetődrót katéter elhelyezése utáni eltávolítása során, akkor lehet, hogy a vezetődrót a katéter csúcsa köré hurkolódott. Ha ellenállást érez, húzza vissza a katétert a vezetődróthoz képest 2–3 cm-t, majd próbálja meg eltávolítani a vezetődrótot. Ha ismét ellenállást érez, egyszerre távolítsa el a vezetődrótot és a katétert.
Figyelem. Ne fejtessen ki túlzottan nagy erőt a vezetődróra.
7. Az eltávolítás után ellenőrizze, hogy ép-e a vezetődrót.
8. Ellenőrizze a katéter elhelyezkedését úgy, hogy egy fecskendőt csatlakoztat a disztális infúziós Luer-csatlakozóhoz, majd szívást fejt ki, amíg a vénás vér meg nem jelenik. Szükség szerint csatlakoztassa az infúziós Luer-csatlakozót a megfelelő Luer-záras csővezetékhez. A használaton kívüli infúziós nyílások a szabványos kórházi protokoll szerint lezárhatók injekciós zárósapkákkal. Egy csúszó szorítókapocs van a csővezetéken, hogy elzárható legyen az infúziós Luer-csatlakozón keresztüli áramlás, amíg kicseréli a csővezetéseket és az injekciós zárósapkát.

Figyelem. A csővezeték túlzottan nagy nyomás okozta károsodásának minimálisra csökkentése érdekében a szorítókapcsot ki kell nyitni, mielőtt infundálást végezne a Luer-csatlakozón keresztül.

Figyelem. Ne szorítsa le vagy tömítse el az „IN” (BEMENETI) vagy az „OUT” (KIMENETI) jelű csővezeték elzáródását, és lehetséges meghibásodást okozhat.

- Ideiglenesen rögzítse a katétert, és köttözze be a behatolási pontot.
- Az elhelyezés után egy mellkasröntgennel azonnal ellenőrizze a katétercsúcs pozícióját. A röntgenképen a katéternek a vena cava inferiorban kell lennie úgy, hogy a katéter disztális vége párhuzamos a vena cava falával. Ha a katétercsúcs pozíciója nem megfelelő, pozicionálja újra, majd ellenőrizze ismét.
- A proximális sugárfogó jelzés a ballon proximális végét jelöli. Ellenőrizze, hogy a ballon teljesen az érben helyezkedik el. Ha a katéter pozíciója nem megfelelő, pozicionálja újra, majd ellenőrizze ismét.
- Rögzítse a katétert. A varratok elhelyezésére elsődlegesen a varratfűl oldalszárnyait használja, így minimalizálhatja a katéter elmozdulásának kockázatát.
- A ZOLL varratfűl és kapocs is használható további rögzítési pontként. Ellenőrizze, hogy a katéter teste rögzítve van-e, és nem csúszik-e el.

Figyelem. Kizárólag a készlethez mellékelte ZOLL varratfűlet és kapcsot használja. A katéter károsodhat, ha más fűleket vagy kapcsokat használ.

Figyelem. Ne helyezze a varratot közvetlenül a katéter külső részére, hogy minimálisra csökkentse ezáltal a katéter elvágásának vagy károsításának, illetve a katéteren belüli áramlás akadályozásának kockázatát.

- Köttözze be a behatolási pontot a kórházi protokollnak megfelelően. Aszeptikus technikával kivitelezett rendszeres, gondos újraköttözéssel ápolja a bevezetési területet.
 - A katéterszáron referenciaként elhelyezett centiméter-jelölések segítségével jegyezze fel a katéter bent levő részének hosszát a beteg kórlapjára. Rendszeresen ellenőrizze szemrevételezéssel, hogy a katéter nem mozdult-e el.
 - Csatlakoztassa a feltöltött indítókészletet a katéterhez: Csatlakoztassa az indítókészlet Luer-csatlakozódugóját a katéter Luer-csatlakozóaljzatához („IN” [BEMENETI] jelű). Csatlakoztassa az indítókészlet Luer-csatlakozóaljzatát a katéter Luer-csatlakozódugójához („OUT” [KIMENETI] jelű). Fehér „ZOLL” feliratú cédulák vannak lazán az „IN” (BEMENETI) és az „OUT” (KIMENETI) jelű toldalékcsővekre rögzítve, hogy be tudja azonosítani a csővezetéseket.
- Megjegyzés.** Az indítókészlet „IN” (BEMENETI) és „OUT” (KIMENETI) jelű Luer-csatlakozói kizárólag a katéter „IN” (BEMENETI) és „OUT” (KIMENETI) jelű Luer-csatlakozóiba csatlakoztathatók, és nem csatlakoztathatók standard Luer-záras fecskendőkhöz. Egyedi ZOLL csatlakozójuk van, a színük pedig narancssárga a könnyű azonosítás érdekében.
- A légmentes csatlakozás létrehozásához gondoskodjon róla, hogy elegendő mennyiségű steril sóoldat legyen a Luer-csatlakozók végénél. Olvassa el a kezelési útmutatót.

FIGYELMEZTETÉS. A katéter meghibásodásához vezethet, ha helytelenül csatlakoztatja az indítókészletet a katéterhez. Ne csatlakoztassa az indítókészlet (narancssárga) Luer-csatlakozói a kék, a fehér vagy a barna Luer-csatlakozókhoz.

Figyelem. Ne csatlakoztassa az indítókészletet a disztális nyíláshoz.

Figyelem. Ne helyezzen olyan zárócsapokat a csővezetésekre, amelyek véletlenül elzáródhatnak. Ez a csővezeték elzáródását, és lehetséges meghibásodást okozhat.

- Pumpálja át sóoldatot az indítókészleten és a katéteren, hogy meggyőződjön arról, hogy minden csatlakozás szoros és nincs szivárgás. Hagyja eltávozni az esetlegesen a rendszerben maradt levegőt, a kezelési útmutatóban leírtaknak megfelelően.

A katéter leválasztása a konzolról

- Állítsa le a sóoldat katéteren keresztüli keringését.
- Válassza le az indítókészletet a katéterről.
- A csatlakozások sterilítésének fenntartása érdekében steril Luer-zárósapkákkal azonnal zárja le a katéter és az indítókészlet Luer-csatlakozóját, vagy csatlakoztassa egymáshoz az „IN” (BEMENETI) és „OUT” (KIMENETI) jelű Luer-csatlakozókat.

A katéter és a konzol újracsatlakoztatása

- Távolítsa el a Luer-sapkákat a katéter és az indítókészlet Luer-csatlakozóiról. Dobja ki a Luer-sapkákat, vagy válassza le egymásról az „IN” (BEMENETI) és „OUT” (KIMENETI) jelű Luer-csatlakozókat.
- Csatlakoztassa az indítókészletet a katéterre: Csatlakoztassa az indítókészlet Luer-csatlakozódugóját a katéter „IN” (BEMENETI) jelű Luer-csatlakozóaljzatához. Csatlakoztassa az indítókészlet Luer-csatlakozóaljzatát a katéter „OUT” (KIMENETI) jelű Luer-csatlakozódugójához. Az indítókészlet és a katéter „IN” (BEMENETI) és „OUT” (KIMENETI) jelű Luer-csatlakozói narancssárga színűek. A légmentes csatlakozás létrehozásához gondoskodjon róla, hogy elegendő mennyiségű steril sóoldat legyen a Luer-csatlakozók végénél.

FIGYELMEZTETÉS. A katéter meghibásodásához vezethet, ha helytelenül csatlakoztatja az indítókészletet a katéterhez.

FIGYELMEZTETÉS. Ne használja az „IN” (BEMENETI) és az „OUT” (KIMENETI) jelű Luer-csatlakozásokat a szabványos centrális katéter infúziós nyílásaival. Azok kizárólag a Coolgard/Thermogard konzol csatlakoztatására szolgálnak. Az indítókészlet „IN” (BEMENETI) és „OUT” (KIMENETI) jelű Luer-csatlakozói kizárólag a katéter „IN” (BEMENETI) és „OUT” (KIMENETI) jelű Luer-csatlakozóiba csatlakoztathatók. Egyedi ZOLL csatlakozójuk van, a színük pedig narancssárga a könnyű azonosítás érdekében.

Figyelem. Ne helyezzen olyan extra zárócsapokat a csővezetésekre, amelyek véletlenül elzáródhatnak. Ez a csővezeték elzáródását, és lehetséges meghibásodást okozhat.

A katéter eltávolítása

- Állítsa le a sóoldat katéteren keresztül történő pumpálását.
- Válassza le az indítókészletet a katéterről. **Vegye le a zárósapkát, vagy ne tegyen zárósapkát a katéter „IN” (BEMENETI) és „OUT” (KIMENETI) jelű Luer-csatlakozóira.** Ez lehetővé teszi a körben maradt sóoldat kipréselését. A katéter kihúzása közben a ballonok összenyomódnak. A ballonokban levő sóoldatnak szabadon ki kell tudnia jutni a ballonból, különben a ballon nem fog leereszteni, ami megnehezíti a katéter eltávolítását.
- Alternatív megoldásként, csatlakoztasson egy 20 vagy 25 cm³-es fecskendőt a katéter „IN” (BEMENETI) jelű Luer-csatlakozójára. A katéter eltávolítása előtt a fecskendő dugattyújának visszahúzása révén hozzon létre vákuumot 15 másodpercre annak érdekében, hogy a visszamaradó fiziológiás sóoldat eltávozzon a katéter ballonrészéből.
- Helyezze el a beteget hanyatt fekvő helyzetben. Távolítsa el a kötést. Távolítsa el a varratokat a területről.

FIGYELMEZTETÉS. Ne helyezzen Luer-sapkát az „OUT” (KIMENETI) jelű Luer-csatlakozóra.

- Lassan távolítsa el a katétert a beteg testéből. Amint a katéter kilép a bevezetés helyéről, fejtse ki nyomást a területre egy levegő számára átjárhatatlan kötéssel (pl. vazelines gézzel).

FIGYELMEZTETÉS. Ne távolítsa el a katétert, ha ellenállást érez. Ellenőrizze, hogy a hűtőkör „IN” (BEMENETI) és „OUT” (KIMENETI) jelű Luer-csatlakozói biztosan NINCSENEK-E zárósapkával lezárva. Ha a Luer-csatlakozók le vannak zárva, távolítsa el a zárósapkát, eressze le a ballont, és ismét próbálja meg eltávolítani a katétert. Ha még mindig ellenállásba ütközik, végezzen röntgenvizsgálatot az ellenállás okának megállapításához.

MR-biztonságossági információk



MR-környezetben feltételesen biztonságos

Az Icy intravaszkuláris hőcserélő katéter MR-környezetben feltételesen biztonságos. Az ilyen katéterrel rendelkező betegeknél biztonságosan elvégezhető a vizsgálat a következő feltételek mellett. A feltételek be nem tartása a beteg sérüléséhez vezethet.

Paraméter	Feltétel
A statikus mágneses mező névleges értékei (T)	1,5 T és 3,0 T
Maximális térgradiensmező (T/m és gauss/cm)	40 T/m (4000 gauss/cm)
RF-gerjesztés típusa	Cirkulárisan polarizált (CP) (azaz kvadrátúrávezérelt)
Adó RF-tekercs adatai	Az adó RF-tekercsre nem vonatkoznak korlátozások. Ennek megfelelően a következők használhatók: test adó RF-tekercs és minden más RF-tekercs kombináció (azaz test RF-tekercs kombinálva bármilyen csak vevő RF-tekerccsel, adó/vevő fej RF-tekerccsel, adó/vevő térd RF-tekerccsel stb.)

Paraméter	Feltétel
Az MRI rendszer üzemmódja	Normál üzemmód
Maximális teljes testre átlagolt SAR	2 W/kg (normál üzemmód)
A vizsgálat időtartamának korlátai	A teljes testre átlagolt SAR 2 W/kg 60 perc folyamatos RF-expozíció esetén (azaz impulzusszekvenciánként vagy szünet nélküli, egymás utáni szekvenciák/sorozatok esetén).
MRI képi műtermék	Az implantátum jelenléte képalkotási műterméket hoz létre. Ezért gondosan válassza meg az impulzusszekvencia paramétereit, ha az implantátum a vizsgált területen található.
FIGYELMEZTETÉS	A ZOLL Coolgard és Thermogard konzolok MR-környezetben nem biztonságosak, ezért ezek a konzolok nem engedélyezettek az MRI rendszert tartalmazó helyiségben. Emiatt a katétert le kell választani a konzolról, mielőtt a beteget az MRI rendszert tartalmazó helyiségbe viszik.

Vezetődrót használati utasítás

Megjegyzés. Ezek az információk kizárólag akkor érvényesek a vezetődrótok használatára vonatkozóan, ha katétert Seldinger-technikával helyezik el az érrendszerben.

Figyelmeztetések

A készülékkel érkező vezetődrót egyetlen használatra szolgál. Ne sterilizálja vagy használja fel újra. Ne vezesse vissza a betegbe, miután már egyszer eltávolította.

Ha ellenállást érez bevezetés vagy eltávolítás közben, ne mozgassa tovább a vezetődrótot. Röntgen segítségével határozza meg az elakadás okát, és tegye meg a szükséges lépéseket.

Különös óvatossággal járjon el amikor a vezetődrótot egy sztenten keresztül vezet át. A vezetődrót sztenttel ellátott éren való használata további kockázatot jelent a betegre nézve.

Vigyázat

Ne húzza ki a vezetődrótot fém tűkön keresztül, mert elnyíródhat a vezetődrót.

A vezetődrótok érzékeny és sérülékeny volta miatt kiemelt óvatossággal járjon el a kezelésük során. Kerülje a drót meghajlását vagy megtörését. Ne használjon sérült vezetődrótot.

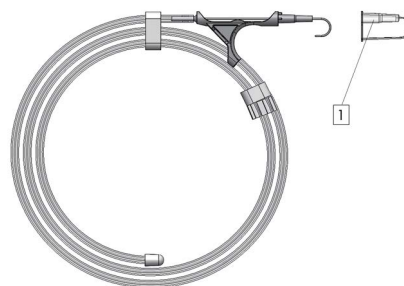
A tárolás vagy a beavatkozások során ne tekerje 8 hüvelyknél (20,32 cm-nél) kisebb átmérőjű tekercsbe a vezetődrótot, mivel ha kisebb átmérőre tekercseli össze, az szükségtelen feszülésnek teszi ki a vezetődrótot és annak megtörését okozhatja. A mellékelt adagoló a legmegfelelőbb a vezetődrót tárolására és kezelésére.

A vezetődrótból elegendő hosszúságú darabnak kell a beteg testén kívül maradnia ahhoz, hogy a vezetődrótot folyamatosan szorosan meg tudja tartani.

Adagoló

Minden vezetődrót egy Tyvek tasakban lévő adagolócsomagolásban található. Távolítsa el a vezetődrótot a Tyvek tasakból. Közvetlenül a vezetődrót használata előtt távolítsa el a vezetődrót védősapkáját. A bevezetés előtt készítse elő a vezetődrótot. Ajánlott az adagolót heparinizált oldattal (pl. fiziológiás sóoldattal vagy dextrózzal) feltölteni, és a bevezetés során a vezetődrótot az oldatban tartani.

A gyárilag megformázott „J” vezetődrót visszanyeri az alakját, miután eltávolította a termékadagolóból.



1. Vezetődrótvédő sapka

Átvizsgálás

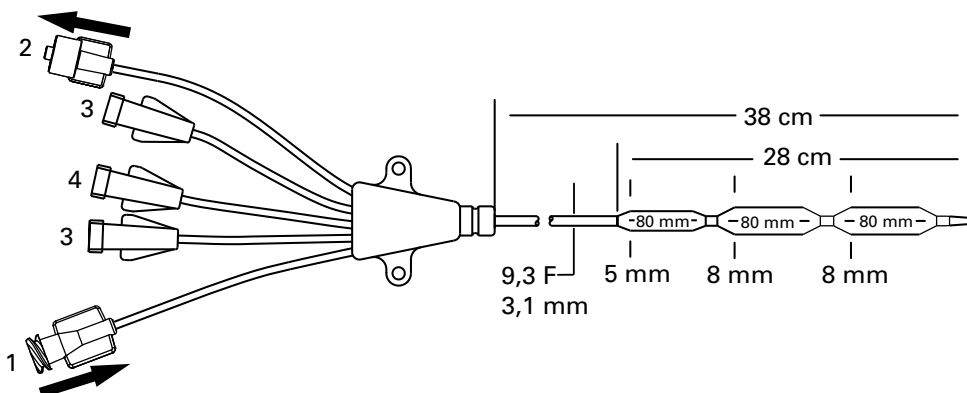
Használat előtt vizsgálja meg a vezetődrótot, és dobja ki, ha bármilyen rendellenességet vesz észre rajta. A vezetődrót bevezetését rutinszerűen nyomon kell követni röntgennel vagy fluoroszkópiával.

Technika

1. Punkcióval nyissa meg az eret.
2. Vezesse be a vezetődrtöt a vezetőtű csatlakozójába, és finoman vezesse tovább 5–10 cm-es szakaszon keresztül a punkcióval megnyitott érbe. Irányítsa a vezetődrtöt a kívánt pozícióba.
Figyelem. Kerülje a vezetődrtöt durva vagy erőltetett mozgathatás, hogy elkerülje a vezetődrtöt vagy az ér károsodását.
3. Távolítsa el a tűt a vezetődrtötől.
4. Finom forgató mozgást alkalmazva tágítsa ki a szövetet és az eret a tágító segítségével.
5. Távolítsa el a tágítót (az értágító kizárólag az ér tágítására szolgál).
6. Vezesse be a katétert úgy, hogy rácsúsztatja a vezetődrtöt.
7. Távolítsa el a vezetődrtöt.

Icy katéter

1. „IN” (BEMENETI) jelű Luer-csatlakozó
2. „OUT” (KIMENETI) jelű Luer-csatlakozó
3. Infúziós nyílások
4. Disztális Luer-csatlakozó



©2024 ZOLL Medical Corporation. Minden jog fenntartva. A ZOLL és az Icy a ZOLL Medical Corporation és/vagy a ZOLL Circulation, Inc. védjegyei vagy bejegyzett védjegyei az Amerikai Egyesült Államokban és/vagy más országokban. Minden védjegy az adott tulajdonos tulajdonát képezi.

Szabadalom: www.zoll.com/patents

Русский (ru)

Модели IC-3893AE/8700-0782-40 и IC-3893CO/8700-0782-14

В таблице ниже перечислены элементы набора внутрисосудистого теплообменного катетера Icy®.

Количество	Описание
1 AE(CO)	Внутрисосудистый теплообменный катетер Icy Калибр 9,3 F x 38 см Три разъема Люэра для инфузии Зажимы удлинительной трубки Рентгеноконтрастный шaft Гепариновое покрытие Aprause
1 AE(CO)	Проводник 0,032 дюйма (0,81 мм) x 75 см
1 AE(CO)	Расширитель сосуда 10,5 F x 0,038 дюйма (3,6 мм x 1,0 мм)
1 AE(CO)	Съемная лигатурная пластина и зажим
1 AE	Рентгеноконтрастный катетер с внутренней иглой калибра 18 Ga x 2,5 дюйма (1,3 мм x 63 мм)
1 AE	Шприц объемом 5 мл и игла калибра 22 Ga x 1,5 дюйма (0,7 мм x 38 мм)
1 AE	Хирургическая простыня с выделенным операционным полем
1 AE	Игла калибра 18 Ga x 2,75 дюйма (1,3 мм x 70 мм)
6 AE	Марлевые тампоны 4 x 4 дюйма (10 см x 10 см)
1 AE	Шелковая хирургическая нить 000
1 AE	Лезвие скальпеля № 11 с длинной рукояткой

Примечание. Компоненты наборов в разных моделях

Каждая базовая модель выпускается со стандартным набором принадлежностей для введения катетера (AE) или без такого стандартного набора (CO). В приведенной выше таблице компоненты, общие для этих наборов, обозначены как AE(CO). Дополнительные компоненты, прилагаемые только к стандартному набору, обозначены как AE.

Описание устройства

Внутрисосудистый теплообменный катетер Icy (далее «катетер Icy» или просто «катетер») — это стерильный одноразовый гибкий катетер калибра 9,3 F, предназначенный для установки в нижнюю полую вену с доступом через бедренную вену. Катетер Icy предназначен для соединения с одноразовым комплектом Start-Up Kit ZOLL® и консолью серии Coolgard® или Thermogard® (далее «консоль») (поставляются отдельно). Для чрескожного введения катетера Icy требуются расширитель и проводник. Для инфузии и забора образцов имеются три разъема Люэра.

Инфузионный порт	Скорость потока	Объем наполнения
Дистальный (коричневый)	1700 мл/ч	0,5 мл
Средний (белый)	900 мл/ч	0,4 мл
Проксимальный (синий)	1200 мл/ч	0,4 мл

Контактирующие с кровью поверхности катетера (кончик, баллон и шaft) покрыты антитромботическим гепариновым покрытием Aprause.

Стерильность

Стерилизовано оксидом этилена. Катетер поставляется стерильным, предназначен только для однократного применения и не подлежит повторной стерилизации. Перед использованием следует проверить упаковку и убедиться в целостности стерильного барьера.

Хранение

Хранить в прохладном сухом месте. Избегать замораживания и перегревания.

Целевое применение

Катетер Icy в сочетании с системой Coolgard или Thermogard обеспечивает циркуляцию физиологического раствора с контролируемой температурой через теплообменник для охлаждения или согревания после охлаждения крови у пациентов, для которых цель установки центрального катетера оправдывает риски. Максимальный срок использования: 4 дня.

Противопоказания

1. Риски, связанные с катетером, в сущности аналогичны рискам использования центрального венозного катетера. Катетер не следует использовать у пациентов, которым не показана установка центрального катетера.
2. Геморрагический диатез.
3. Острый сепсис.
4. Инфекция или активное кровотечение в месте введения катетера.
5. Пациенты без сосудистого доступа или с таким состоянием сосудистой системы, которое не позволяет установить катетер, в том числе пациенты с фильтрами в полую вену или другими имплантатами, препятствующими проведению катетера.
6. Пациенты, у которых невозможно выполнить требуемый мониторинг температуры.
7. Гипотермия противопоказана пациентам с заболеваниями крови, течение которых может быть ухудшено гипотермией (например, с любыми заболеваниями, сопровождающимися криоглобулинемией, а также с любыми гемоглобинопатиями, включая серповидно-клеточную анемию или талассемию, при которых охлаждение может спровоцировать гемолитическую анемию).
8. Катетер не предназначен для применения у детей, в том числе новорожденных.

Предупреждения, меры предосторожности, побочные реакции

Катетеризация центральной вены должна выполняться только хорошо обученными специалистами, достаточно знакомыми с анатомическими ориентирами и безопасными приемами работы. Кроме того, специалисты должны быть знакомы с возможными осложнениями.

ПРЕДОСТЕРЕЖЕНИЕ

Катетер следует устанавливать только с использованием доступа через бедренную вену. Не допускайте расположения катетера в правом предсердии или правом желудочке. Расположение в правом предсердии или правом желудочке может привести к серьезной травме или смерти пациента.

Только для однократного использования. Изделие предназначено исключительно для однократного использования. Не подвергайте повторной стерилизации и не используйте повторно. После извлечения из сосудов пациента повторное введение запрещено. Модифицировать катетер каким-либо образом запрещено.

Повторное использование изделия, предназначенного для однократного использования, чревато возникновением перечисленных ниже потенциальных рисков.

- Потенциально угрожающая жизни инфекция.
- Токсический шок вследствие разложения материалов.
- Повышение риска тромбоза.
- Снижение эффективности теплообмена.
- Нарушение функционирования устройства.

ПРЕДОСТЕРЕЖЕНИЕ. Катетер Icy и комплект Start-Up Kit могут неправильно соединиться с другими устройствами, имеющими соединители с маленьким просветом. Такие ошибки соединения могут привести к травмированию или смерти пациента.

Предупреждение. Специальные разъемы Люэра, входящие в состав катетера и комплекта Start-Up Kit, позволяют снизить риск неправильного соединения, однако все же могут быть неправильно соединены со следующими специальными принадлежностями медицинских устройств: принадлежности дыхательных систем и систем приводных газов, принадлежности для применения в кишечнике и желудке или в уретре и мочевыводящей системе, принадлежности для раздувания манжет на конечностях, для нейроаксиального применения, а также для внутрисосудистого и подкожного введения. Всегда соблюдайте осторожность при соединении катетеров ZOLL и комплектов Start-Up Kit с этими и другими принадлежностями медицинских устройств.

Предупреждение. Не присоединяйте катетер lcu и (или) комплект Start-Up Kit к внутривенным или другим медицинским устройствам.

1. Катетер следует располагать так, чтобы его дистальный кончик находился в нижней полой вене ниже места ее впадения в правое предсердие и был расположен параллельно стенке сосуда. С помощью рентгеновского исследования следует подтвердить, что катетер не находится в правом предсердии или желудочке.
2. **Внимание.** Если в контуре циркуляции физиологического раствора наблюдается кровь, прекратите процедуру и проверьте катетер на предмет протечки.
3. К возможным осложнениям установки центральных венозных катетеров относятся следующие: перфорация предсердия или желудочка, тампонада сердца, воздушная эмболия, эмболия катетера, разрыв грудного лимфатического протока, бактериемия, септицемия, тромбоз, непреднамеренный прокол артерии, образование гематомы, кровотечение, повреждение нерва и аритмии.
4. Все соединения Luer-Lock и колпачки следует тщательно затягивать для предотвращения воздушной эмболии или потери жидкости или крови.
5. При перемещении катетера или проводника никогда не прилагайте чрезмерное усилие. Если ощущается сопротивление, следует выполнить рентгеноскопию для определения причины сопротивления.
6. Введение проводника в правые камеры сердца может привести к аритмии, блокаде правой ножки пучка Гиса, а также проколу стенки сосуда, предсердия или желудочка.
7. Заполняйте катетер только стерильным физиологическим раствором. Он является жидкостью, циркулирующей в катетере.
8. Катетер следует регулярно проверять для оценки скорости потока, надежности повязки, правильности положения катетера и надежности соединений Luer-Lock. Для выявления изменения положения катетера следует использовать сантиметровые отметки. С применением многопросветных баллонных катетеров может быть связан риск отсутствия лечебного эффекта, в том числе невозможности введения лекарственного вещества через инфузионные просветы.
9. Расположение кончика катетера не в камерах сердца или не параллельно стенке сосуда может быть подтверждено только с помощью рентгеноскопии. Если положение катетера изменилось, выполните рентгеновское исследование для подтверждения положения его кончика.
10. Для забора образцов крови временно перекройте остальные инфузионные порты, через которые вводятся растворы.
11. Для забора образцов крови используйте только шприцы объемом не более 30 мл.
12. Спирт и ацетон могут снизить прочность материала shaft. Поэтому следует проявлять осторожность при инфузии лекарственных препаратов, содержащих спирт, или при использовании спирта или ацетона в обычном уходе за катетером и его обслуживании. Не следует применять спирт для удаления стустков крови из катетера.
13. Для предотвращения повреждения катетера используйте только лигатурную пластину и зажим ZOLL, входящие в набор.
14. Использование шприца объемом меньше 10 мл для орошения или удаления стустков крови из окклюзированного катетера может привести к интралюминальной утечке или разрыву катетера.
15. Не следует проводить инфузию через оранжевые соединения Luer-Lock с маркировкой IN и OUT, поскольку при этом будет отсутствовать лечебный эффект.

16. Повышение температуры у пациентов не обязательно связано с инфекцией. Снижение жара, являющегося признаком возможной инфекции, требует ежедневной тщательной оценки других признаков инфекции.
17. Соблюдайте осторожность при инфузии лекарственных препаратов, на которые могут оказать влияние низкие температуры (до 4 °C). Растворы, содержащие маннит, чувствительны к температуре, поэтому их не следует вводить через катетер, кроме случаев быстрого струйного введения раствора маннита концентрацией до 20 % с последующим промыванием физиологическим раствором. Капельное введение раствора с концентрацией маннита выше 20 % или его введение с помощью инфузионного насоса необходимо выполнять через отдельный катетер.
18. Тампонада сердца. Размещение постоянных катетеров в правом предсердии может привести к перфорации и тампонаде сердца. Практикующие врачи, устанавливающие центральные венозные катетеры, должны знать об этом потенциально смертельном осложнении, прежде чем продвигать катетер слишком далеко (учитывая размеры тела пациента). После введения постоянного катетера фактическое положение его кончика следует подтвердить с помощью рентгеновского исследования. Центральные венозные катетеры не следует устанавливать в правое предсердие, кроме случаев, когда это необходимо для специальных, относительно кратковременных процедур, таких как аспирация воздушных эмбол во время нейрохирургической операции. Тем не менее такие процедуры сопровождаются риском, поэтому их следует выполнять под тщательным мониторингом и контролем.
19. Катетер покрыт гепарином. Это может вызвать или усилить имевшуюся ранее гепарин-индуцированную тромбоцитопению.
20. **ПРЕДОСТЕРЕЖЕНИЕ.** При подключении систем для инфузий или инъекций к катетеру не следует превышать давление 100 фунтов на кв. дюйм (689 кПа).
21. У пациентов, которым проводится гипотермия, сама гипотермия может увеличить тяжесть некоторых заболеваний. Необходимо следить за тем, чтобы во время гипотермии проводился надлежащий мониторинг гомеостаза пациента.
 - Нарушения сердечного ритма — как брадикардия, так и желудочковая тахикардия.
 - Тромбообразование и свертывание крови. У пациентов с риском нарушения свертывания крови следует проводить тщательный мониторинг во время гипотермии.
 - Анализ на содержание газов и определение pH в крови. Гипотермия изменяет уровень pH в покое и парциальное давление углекислого газа в артериальной крови (PaCO₂). Врачи должны знать о влиянии температуры на уровни этих параметров.
 - Длительная гипотермия подавляет иммунный ответ и функцию легких.

ПРЕДОСТЕРЕЖЕНИЕ. Протечка между каналами или протечка баллона. При повреждении катетера возможна протечка растворов между каналом для физиологического раствора и инфузионными каналами или протечка баллона. При таком повреждении стерильный физиологический раствор из охлаждающего контура попадает в организм пациента. Протечка между каналами или протечка баллона обычно приводит к появлению предупреждающего сигнала о потере жидкости при опустошении контейнера с физиологическим раствором, после чего работа системы останавливается.

В каждом случае срабатывания сигнала об уровне жидкости обязательно найдите причину. Охлаждающий контур — это замкнутая система. Обычно предупреждающие сигналы о потере жидкости свидетельствуют о наличии разрыва на каком-либо участке этого контура. При появлении предупреждающих сигналов о потере жидкости проверьте целостность катетера и комплекта Start-Up Kit (см. ниже).

ПРЕДОСТЕРЕЖЕНИЕ. Заметив, что контейнер с физиологическим раствором опустел, или услышав предупреждающий сигнал воздухоуловителя, не подсоединяйте новый контейнер с физиологическим раствором, пока не обнаружите место протечки и не примите соответствующие меры. Проверьте систему на наличие протечек в соответствии с инструкциями в разделах Проверка целостности комплекта Start-Up Kit и Проверка целостности катетера, приведенных ниже. (Помните, что протечка может быть внешней или внутренней.)

Неоднократная замена контейнера с физиологическим раствором без поиска места протечки или причины расходования физиологического раствора может привести к непреднамеренной инфузии пациенту физиологического раствора. Инфузия физиологического раствора может привести к следующим побочным эффектам: местному отеку, который может вызвать местное повреждение тканей; системной перегрузке жидкостью, которая может привести к застойному отеку с разрывом кожи; избыточному накоплению жидкости во внутренних органах с последующим отеком мозга, легких и сердца. В некоторых случаях такая перегрузка жидкостью может угрожать жизни.

Предупреждение. При опустошении контейнера с физиологическим раствором консоль подает предупреждающий сигнал. Предупреждающий сигнал подается, когда контейнер полностью опустошается, в части трубки между иглой, вставленной в контейнер, и воздухоуловителем не остается физиологического раствора, а его уровень в воздухоуловителе снижается до определенной отметки.

Проверка целостности комплекта Start-Up Kit

1. Проверьте воздухоуловитель на предмет конденсации. Если в воздухоуловителе наблюдаются признаки конденсации, протрите его и снова установите на консоли. Если после этого сработает предупреждающий сигнал воздухоуловителя, сбросьте его.
2. Внимательно проверьте путь прохождения физиологического раствора от контейнера до консоли на предмет протечек. Проверьте, нет ли следов физиологического раствора на полу, консоли или кровати пациента.
3. В случае обнаружения следов физиологического раствора на полу, консоли или кровати пациента убедитесь, что разъемы Люэра катетера и комплекта Start-Up Kit не имеют трещин и повреждений, а соединения достаточно плотны, чтобы не допустить протечек.
4. При обнаружении протечки комплекта Start-Up Kit, замените его и проверьте, не протекает ли катетер.
5. Если комплект Start-Up Kit протекает, вероятно, имеет место протечка катетера. Продолжайте осмотр.

Проверка целостности катетера

1. Отсоедините комплект Start-Up Kit от катетера. Плотно закройте катетер и комплект Start-Up Kit колпачками, соблюдая правила асептики.
2. Наполните стерильный шприц объемом 10 мл со скользящим наконечником стерильным физиологическим раствором.
3. Подсоедините шприц к разъему Люэра катетера с маркировкой IN и снимите колпачок с разъема с маркировкой OUT. Введите 10 мл физиологического раствора — он должен вытекать из разъема с маркировкой OUT. Если физиологический раствор не вытекает из разъема с маркировкой OUT, это свидетельствует о протечке катетера.
4. Закройте разъем Люэра с маркировкой OUT колпачком и оттяните поршень шприца объемом 5 мл, чтобы создать отрицательное давление. Выдержите не менее 10 секунд. В шприц должно набраться до 4 мл физиологического раствора (без крови) с сохранением отрицательного давления. Наличие следов крови в шприце или невозможность поддержки отрицательного давления свидетельствуют о протечке катетера.
5. Если вы обнаружили протечку катетера, замените его.
6. Замените контейнер с физиологическим раствором и заново подсоедините комплект Start-Up Kit.
7. Убедитесь в достаточной плотности присоединения разъемов Люэра к комплекту Start-Up Kit и продолжайте терапию.

Необходимые материалы

Количество	Описание
1	Набор катетера Icu для чрескожного введения
1	Пакет со стерильным физиологическим раствором объемом 500 мл (не входит в комплект поставки)
1	Комплект Start-Up Kit (поставляется отдельно) <ul style="list-style-type: none"> • стандартная трубка длиной 6 футов (183 см) или • удлинённая трубка длиной 9 футов (274 см)
1	Консоль Coolgard или Themogard (поставляется отдельно)
1	Набор принадлежностей для катетера [только в комплектации (CO)]
1	Температурный датчик YSI-400 (не входит в комплект поставки)

Подготовка и введение катетера

Примечание. Катетер имеет рентгеноконтрастную маркерную полосу, облегчающую его обнаружение во время и после введения при использовании рентгеноскопического контроля. Проксимальный конец проксимального баллона имеет одну маркерную полосу. Кончик катетера содержит сульфат бария, делающий его рентгеноконтрастным.

Соблюдайте правила стерильности.

Предупреждение. Разъемы катетера Luer-Lock с маркировкой IN и OUT имеют особую конструкцию и предназначены для подсоединения только к комплекту Start-Up Kit, указанному в разделе «Необходимые материалы».

Подготовка катетера

1. Уложите пациента на спину.
2. Должным образом подготовьте и накройте хирургическими простынями место пункции.
3. Осторожно извлеките катетер из упаковки, оставив покрывающую катетер пленку.
4. Снимите колпачки с разъемов Люэра с маркировкой IN и OUT. До снятия пленки с катетера наберите стерильный физиологический раствор в шприц (объемом не менее 5 мл) и вставьте шприц в охватывающий разъем Люэра с маркировкой IN.

ПРЕДОСТЕРЕЖЕНИЕ. Никогда не создавайте в люэровском разьеме с маркировкой IN положительное давление, если разъем с маркировкой OUT закрыт колпачком.

5. Осторожно вводите физиологический раствор в катетер, пока он не начнет вытекать из разъема Люэра с маркировкой OUT.
6. Используя шприц объемом не менее 5 мл, промойте дистальный, проксимальный и средний инфузионные каналы с разъемами Люэра стерильным физиологическим раствором. Перекройте проксимальный и средний инфузионные каналы с разъемами Люэра зажимами или закройте их инъекционными колпачками. Дистальный люэровский разъем оставьте незакрытым для введения проводника.

Предупреждение. Инфузионные каналы следует всегда заполнять через разъемы Люэра перед введением катетера в сосуды пациента.

7. Снимите с катетера пленочное покрытие. Если при снятии пленки с катетера ощущается сопротивление, смочите пленку стерильным физиологическим раствором. Осмотрите катетер и убедитесь, что воздух удален из теплообменной мембраны. Осмотрите катетер для выявления повреждений.

Предупреждение. Не следует чрезмерно протирать катетер с покрытием. Не протирайте катетер сухой марлей, так как это может привести к повреждению покрытия катетера. Избегайте применения спирта, антисептических растворов или иных растворителей для предварительной обработки катетера,

так как это может вызвать непредсказуемые изменения покрытия, снизить безопасность и ухудшить рабочие параметры катетера.

ПРЕДОСТЕРЕЖЕНИЕ. Катетер не следует обрезать для изменения длины.

Введение катетера

ПРЕДОСТЕРЕЖЕНИЕ. Используйте только доступ через бедренную вену.

1. Выполните стандартный чрескожный доступ через бедренную вену. Доступ следует осуществлять с помощью проводника диаметром 0,032 дюйма (0,81 мм). См. инструкции по применению проводника.

ПРЕДОСТЕРЕЖЕНИЕ. Не следует повторно вводить внутреннюю иглу интродьюсера после ее частичного или полного извлечения из катетера.

Предупреждение. С катетером не следует использовать проводник диаметром более 0,032 дюйма (0,81 мм).

2. Удерживая проводник на месте, извлеките катетер-интродьюсер.

Предупреждение. В течение всего времени крепко удерживайте проводник.

3. Расширьте место пункции кожи лезвием скальпеля, направленным в противоположную проводнику сторону.

ПРЕДОСТЕРЕЖЕНИЕ. Не обрезайте проводник. Используя расширитель сосуда, увеличьте место доступа до необходимого размера. Для минимизации риска возможной перфорации стенки сосуда не следует оставлять расширитель в сосуде в качестве постоянного катетера.

4. Винтовыми движениями наденьте кончик катетера на проводник. Во время введения катетера крепко удерживайте проводник. Удерживая кончик катетера рядом с кожей, введите катетер в вену. Продолжайте введение катетера по проводнику, располагая пальцы непосредственно проксимально от баллона.

5. Используя сантиметровые метки на катетере как ориентиры для позиционирования, введите катетер по крайней мере до отметки минимальной глубины, чтобы проксимальный инфузионный порт оказался в сосуде.

6. Удерживая катетер на требуемой глубине, извлеките проводник. Если при попытке извлечь проводник после размещения катетера ощущается сопротивление, проводник, возможно, согнулся на кончике катетера. Если ощущается сопротивление, извлеките катетер приблизительно на 2–3 см относительно проводника и попытайтесь извлечь проводник. Если снова ощущается сопротивление, извлеките проводник и катетер одновременно.

Предупреждение. Не прилагайте к проводнику чрезмерное усилие.

7. После извлечения проводника убедитесь в том, что он не поврежден.

8. Для проверки размещения катетера подсоедините шприц к дистальному инфузионному разъему Люэра и приложите отрицательное давление до появления свободного потока венозной крови. Соедините инфузионный разъем Люэра с соответствующей трубкой, снабженной разъемом Luer-Lock. Неиспользуемый инфузионный порт можно закрыть инъекционным колпачком согласно стандартному протоколу лечебного учреждения. Трубка снабжена скользящим зажимом для перекрытия потока через разъем Люэра для инфузии во время замены трубки и инъекционных колпачков.

Предупреждение. Для минимизации риска повреждения трубки чрезмерным давлением зажим необходимо открыть до начала инфузии через люэровский разъем.

Предупреждение. Не пережимайте и не перекрывайте трубки с маркировкой IN или OUT. Это может привести к блокировке и повреждению трубки.

9. Временно зафиксируйте катетер и наложите повязку на место введения.

10. Немедленно после установки катетера выполните рентгеновское исследование для определения положения его кончика. Рентгенокопия должна показать размещение катетера в нижней полой вене, и при этом его дистальный

кончик должен размещаться параллельно стенке полой вены. При неправильном размещении кончика катетера заново выполните процедуры установки и проверки.

11. Проксимальный рентгеноконтрастный маркер указывает положение проксимального конца баллона. Следует удостовериться, что баллон полностью находится в сосуде. При неправильном положении катетера измените его положение и повторите проверку.
12. Зафиксируйте катетер на коже пациента. Для сведения к минимуму риска смещения катетера используйте боковые крылышки лигатурной пластины в качестве основного места для наложения швов.
13. В качестве дополнительной точки закрепления можно также использовать лигатурную пластину и зажим ZOLL. Следует удостовериться, что основная часть катетера зафиксирована и не смещается.

Предупреждение. Используйте только лигатурную пластину и зажим ZOLL, входящие в набор. Применение других пластин или зажимов может привести к повреждению катетера.

Предупреждение. Чтобы минимизировать риск пореза или повреждения катетера либо ослабления потока в катетере, не следует накладывать лигатуры непосредственно на внешнюю поверхность катетера.

14. Наложите повязку на место пункции согласно правилам лечебного учреждения. Регулярно выполняйте тщательный уход за местом введения с заменой повязки в асептических условиях.
15. Зарегистрируйте в истории болезни пациента длину постоянного катетера, используя в качестве опорных точек сантиметровые отметки на shaft катетера. Следует проводить частые визуальные проверки для подтверждения того, что катетер не сместился.
16. Подсоедините заполненный комплект Start-Up Kit к катетеру. Соедините охватываемую часть разъема Люэра комплекта Start-Up Kit с охватывающей частью разъема Люэра (с маркировкой IN) на катетере. Соедините охватываемую часть разъема Люэра комплекта Start-Up Kit с охватываемой частью разъема Люэра (с маркировкой OUT) на катетере. Белые метки «ZOLL» подвижно закреплены на удлинительных трубках с маркировкой IN и OUT для облегчения их идентификации.

Примечание. Разъемы Люэра с маркировкой IN и OUT комплекта Start-Up Kit предназначены для подсоединения только к разъемам Люэра катетера с маркировкой IN и OUT и несовместимы со стандартными разъемами Luer-Lock на шприцах. Их соединительные элементы имеют специальную конструкцию компании ZOLL и оранжевый цвет для облегчения идентификации.

17. Следует удостовериться, что у концов разъемов Люэра содержится достаточное количество физиологического раствора, чтобы соединение не содержало воздуха. Обратитесь к руководству по эксплуатации.

ПРЕДОСТЕРЕЖЕНИЕ. Неправильное подсоединение комплекта Start-Up Kit к катетеру может привести к нарушению функционирования последнего. Не подсоединяйте (оранжевые) разъемы Люэра комплекта Start-Up Kit к синему, белому и коричневому разъемам Люэра.

Предупреждение. Не присоединяйте комплект Start-Up Kit к дистальному порту.

Предупреждение. Не размещайте на трубках какие-либо краны, которые могут быть случайно перекрыты. Это может привести к блокировке и повреждению трубки.

18. Прокачайте физиологический раствор через комплект Start-Up Kit и катетер, чтобы удостовериться в надежности всех соединений и отсутствии протечки. Вытесните из системы весь оставшийся воздух, как описано в руководстве по эксплуатации.

Отсоединение катетера от консоли

1. Остановите поток физиологического раствора через катетер.
2. Отсоедините комплект Start-Up Kit от катетера.
3. Чтобы сохранить стерильность соединений, незамедлительно закройте разъемы Люэра катетера и комплекта Start-Up Kit соответствующими стерильными колпачками или соедините между собой разъемы Люэра с маркировкой IN и OUT.

Повторное подсоединение катетера к консоли

1. Снимите колпачки Люэра с соединителей Люэра на катетере и комплекте Start-Up Kit. Снимите люэровские колпачки или разъедините разъемы Люэра с маркировкой IN и OUT.
2. Подсоедините комплект Start-Up Kit к катетеру. Соедините охватываемую часть разъема Люэра комплекта Start-Up Kit с охватываемой частью разъема Люэра с маркировкой IN на катетере. Соедините охватываемую часть разъема Люэра комплекта Start-Up Kit с охватываемой частью разъема Люэра с маркировкой OUT на катетере. Люэровские разъемы с маркировкой IN и OUT комплекта Start-Up Kit и катетера имеют оранжевый цвет. Следует удостовериться, что у концов разъемов Люэра содержится достаточное количество физиологического раствора, чтобы соединение не содержало воздуха.

ПРЕДОСТЕРЕЖЕНИЕ. Неправильное подсоединение комплекта Start-Up Kit к катетеру может привести к нарушению функционирования последнего.

ПРЕДОСТЕРЕЖЕНИЕ. Не используйте разъемы Люэра с маркировкой IN и OUT со стандартными инфузионными портами центральных катетеров. Они предназначены только для подсоединения консоли Coolgard или Thermogard. Разъемы Люэра с маркировкой IN и OUT комплекта Start-Up Kit предназначены для подсоединения только к разъемам Люэра катетера с маркировкой IN и OUT. Их соединительные элементы имеют специальную конструкцию компании ZOLL и оранжевый цвет для облегчения идентификации.

Предупреждение. Не размещайте на трубках какие-либо дополнительные краны, которые могут быть случайно перекрыты. Это может привести к блокировке и повреждению трубки.

Извлечение катетера

1. Прекратите прокачивание физиологического раствора через катетер.
2. Отсоедините комплект Start-Up Kit от катетера. **Снимите колпачки с люэровских разъемов катетера с маркировкой IN и OUT или оставьте их незакрытыми.** Благодаря этому из контура будет вытеснено оставшееся количество физиологического раствора. При извлечении катетера баллоны сжимаются. Физиологический раствор, находящийся в баллонах, должен свободно вытекать из них, иначе баллон не сдуется, что затруднит извлечение катетера.
3. При необходимости подсоедините шприц объемом 20 мл или 25 мл к люэровскому разъему катетера с маркировкой IN. Оттяните поршень шприца, создавая отрицательное давление, и удерживайте его в течение 15 секунд, чтобы удалить из баллона оставшийся физиологический раствор перед извлечением катетера.
4. Уложите пациента на спину. Снимите повязку. Снимите швы с места фиксации катетера.

ПРЕДОСТЕРЕЖЕНИЕ. Не надевайте колпачок на люэровский разъем с маркировкой OUT.

5. Медленно извлеките катетер из сосудов пациента. Сразу же после извлечения катетера прижмите место пункции воздухопроницаемой повязкой (например, пропитанной вазелином марлей).

ПРЕДОСТЕРЕЖЕНИЕ. Если ощущается сопротивление, не извлекайте катетер. Удостоверьтесь, что люэровские разъемы с маркировкой IN и OUT охлаждающего контура НЕ закрыты колпачками. Если они закрыты, снимите колпачки, сдуйте баллон и снова попытайтесь извлечь катетер. При сохранении сопротивления следует выполнить рентгеноскопию для определения его причины.

Информация о безопасности применения изделия при МРТ



MP-совместимый при условии соблюдения определенных ограничений

Внутрисосудистый теплообменный катетер Iscu является MP-совместимым при условии соблюдения определенных ограничений. Для пациента с этим катетером можно безопасно выполнять сканирование, отвечающее нижеприведенным условиям. Несоблюдение этих условий может привести к травмированию пациента.

Параметр	Условие
Номинальные значения статического магнитного поля (Тл)	1,5 Тл и 3,0 Тл
Максимальный пространственный градиент поля (Тл/м и Гс/см)	40 Тл/м (4000 Гс/см)
Тип радиочастотного возбуждения	С круговой поляризацией (СР) (т. е. квадратурная)
Информация о передающей радиочастотной катушке	Ограничений относительно передающей радиочастотной катушки нет. Таким образом, можно использовать следующее: передающая радиочастотная катушка для тела и все другие комбинации радиочастотных катушек (т. е. радиочастотная катушка для тела в сочетании с любой радиочастотной катушкой, работающей только на прием, передающая/приемная радиочастотная катушка для головы, передающая/приемная радиочастотная катушка для колена и т. д.)
Режим работы МР-системы	Нормальный режим работы
Максимальный усредненный удельный коэффициент поглощения (SAR) излучения всем телом	2 Вт/кг (в нормальном режиме работы)
Ограничения продолжительности сканирования	Усредненный SAR излучения всем телом 2 Вт/кг в течение 60 минут непрерывного радиочастотного облучения (т. е. последовательности импульсов или непрерывных последовательностей/серий).
Артефакты на МР-изображении	Из-за этого имплантируемого устройства на изображении могут возникать артефакты. Поэтому, если имплантируемое устройство находится в интересующей зоне, тщательно выбирайте параметры последовательности импульсов.
ПРЕДОСТЕРЕЖЕНИЕ	Консоли Coolgard и Thermogard компании ZOLL являются MP-небезопасными устройствами, поэтому их запрещено использовать в кабинете МРТ. Поэтому, прежде чем перемещать пациента в кабинет МРТ, необходимо отсоединить катетер от консоли.

Инструкция по применению проводника

Примечание. Данная информация относится только к применению проводника при размещении катетера в сосудистом русле по методу Сельдингера.

Предостережения

Поставляемый проводник предназначен только для однократного применения. Не подвергайте повторной стерилизации и не используйте повторно. После извлечения из сосудов пациента повторное введение запрещено.

Если во время введения или извлечения проводника ощущается сопротивление, прекратите перемещать его. Выполните рентгеноскопию для определения причины и примите необходимые меры.

Соблюдайте крайнюю осторожность при проведении проводника через стент. Использование проводника в стентированных сосудах создает дополнительный риск для пациента.

Предупреждения

Не извлекайте проводник через металлические иглы — они могут расщепить его.

В связи с тем, что проводник является хрупким и легко повреждаемым устройством, обращение с ним требует крайней осторожности. Не допускайте перегибания или перекручивания. Использование поврежденных проводников запрещено.

При хранении и выполнении процедур избегайте свертывания проводника кольцами диаметром менее 8 дюймов (20,32 см), поскольку это приведет к излишнему напряжению проводника и его перекручиванию. Наилучшим приспособлением для хранения и транспортировки проводника является диспенсер из комплекта поставки.

Вне сосудов пациента должна оставаться достаточная длина проводника, позволяющая постоянно крепко его удерживать.

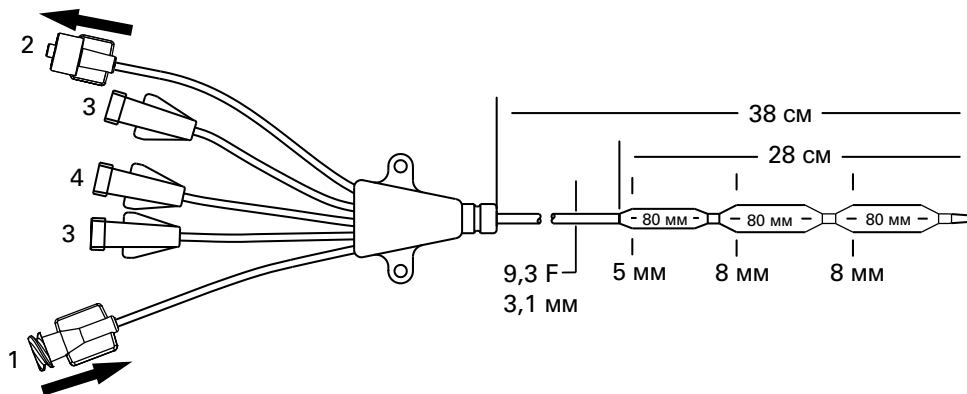
Диспенсер

Каждый проводник поставляется в упаковке-диспенсере внутри пакетика Туека. Достаньте проводник из пакетика Туека. Защитный колпачок проводника снимите непосредственно перед использованием проводника. Перед введением проводника выполните его подготовку. Рекомендуется заполнить диспенсер гепаринизированным раствором (например, физиологическим раствором или раствором декстрозы), чтобы омыть проводник при введении.

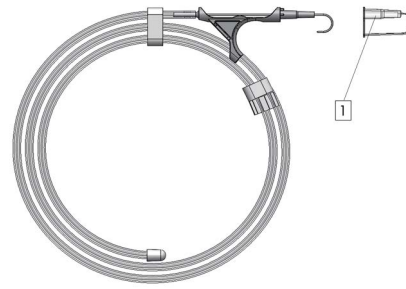
Проводник с заранее приданной J-образной формой восстанавливает форму после извлечения из диспенсера.

Катетер Icu

1. Разъем Люэра с маркировкой IN
2. Разъем Люэра с маркировкой OUT
3. Инфузионные порты
4. Дистальный разъем Люэра



© ZOLL Medical Corporation, 2024. Все права защищены. ZOLL и Icu являются торговыми марками или зарегистрированными товарными знаками компании ZOLL Medical Corporation и (или)



1. Защитный колпачок проводника

Осмотр

Перед использованием проводник следует осмотреть. При обнаружении каких-либо деформаций его следует удалить в отходы. Следует проводить регулярный контроль размещения проводника с помощью рентгеноскопии.

Последовательность действий

1. Выполните пункцию сосуда.
 2. Введите проводник в канюлю иглы и осторожно продвиньте его в пунктированный сосуд на 5–10 см. Переместите проводник к требуемому месту.
- Предупреждение.** Во избежание повреждения проводника или сосуда избегайте грубых или чрезмерно энергичных манипуляций с проводником.
3. Снимите иглу с проводника.
 4. Легкими вращательными движениями расширителя расширьте отверстие в тканях и сосуде.
 5. Извлеките расширитель (он предназначен только для расширения входа в сосуд).
 6. Введите катетер по проводнику.
 7. Извлеките проводник.

ZOLL Circulation, Inc. в США и (или) других странах. Все товарные знаки принадлежат их законным владельцам.

Патент: www.zoll.com/patents

Svenska (sv)

Modell IC-3893AE/8700-0782-40 och IC-3893CO/8700-0782-14

I satsen med Icy[®] intravaskulär värmeväxlande kateter ingår:

Antal	Beskrivning
1 AE(CO)	Icy intravaskulär värmeväxlande kateter 9,3 Fr x 38 cm Tre infusionsluerkopplingar Klämmare för förlängningsslang Röntgentätt skaft Applause heparinbelagd
1 AE(CO)	Ledare 0,81 mm (0,032 tum) x 75 cm
1 AE(CO)	Kärldilator 3,6 mm x 1,0 mm (10,5 Fr x 0,038 tum)
1 AE(CO)	Avtagbar suturflik och clips
1 AE	Röntgentät kateter-över-nål (OTN), 1,3 mm x 63 mm (18 G x 2,5 tum)
1 AE	Spruta, 5 ml och kanyl, 0,7 mm x 38 mm (22 G x 1,5 tum)
1 AE	Hälduk
1 AE	Kanyl, 1,3 mm x 70 mm (18 G x 2,75 tum)
6 AE	Gasvävstorkar, 10 cm x 10 cm (4 tum x 4 tum)
1 AE	000 silkesutur
1 AE	Kirurgblad, nr 11, med långt handtag

Anm.: – Satskomponenter enligt modell

Varje basmodell fås antingen med en standardsats för stöd vid införing (AE) eller utan standardsatsen för stöd vid införing (CO). De komponenter som är gemensamma för båda satserna har beteckningen AE(CO) i tabellen ovan. De ytterligare komponenter som finns endast i standardsatsen har beteckningen AE.

Produktbeskrivning

Icy intravaskulär värmeväxlande kateter ("Icy-katetern" eller "katetern") är en steril, flexibel engångskateter 9,3 Fr, utformad för att placeras i v. cava inferior från ett införingsställe i v. femoralis. Icy-katetern är avsedd att anslutas till ett ZOLL[®] Start-Up Kit för engångsbruk och Coolgard[®]- eller Thermogard[®]-seriens konsoler ("konsol") (samtliga tillhandahålls separat). En dilatator och en ledare krävs för perkutan införing av Icy-katetern. Tre luerkopplingar finns tillgängliga för infusion och provtagning.

Infusionsport	Flödes hastighet	Flödningsvolym
Distal (brun)	1700 ml/h	0,5 ml
Medial (vit)	900 ml/h	0,4 ml
Proximal (blå)	1200 ml/h	0,4 ml

Kateterns blodkontaktytor (spets, ballong och skaft) är behandlade med antitrombotisk Applause heparinbeläggning.

Sterilitet

Steriliserad med etylenoxid. Katetern levereras steril enbart för engångsbruk och får inte resteriliseras. Förpackningen ska inspekteras före användning för att säkerställa att sterilbarriären inte har brutits.

Förvaring

Förvaras på sval och torr plats. Undvik nedfrysning och extrem värme.

Avsedd användning

Med Icy-katetern i kombination med Coolgard- eller Thermogard-systemet kan temperaturreglerad fysiologisk koksaltlösning cirkulera genom en värmeväxlare för att kyla ned/värma upp patientens blod hos patienter för vilka riskerna med en central venkateter är befogade. Maximal användningsperiod: 4 dagar.

Kontraindikationer

1. Riskerna med katetern är i allt väsentligt desamma som med en central venkateter. Katetern ska inte användas till patienter för vilka placering av central venkateter inte är indicerad.
2. Blödningsdiates.
3. Akut sepsis.
4. Infektion eller aktiv blödning vid kateterinföringsstället.
5. Patienter utan kärlåtkomst, eller med ett kärlsystem som inte kan rymma en kateter, inklusive patienter med v. cava-filter eller andra implanterade hinder mot kateterns passage.
6. Patienter hos vilka den obligatoriska temperaturövervakningen inte kan upprättas.
7. Hypotermi är kontraindicerad hos patienter med hematologiska sjukdomar som förvärras vid hypotermi (t.ex. alla sjukdomar som genererar kryoglobulinemi, alla hemoglobinopater där hemolytisk anemi kan framkallas av kyla, inklusive sicklecellsanemi eller talassemi).
8. Ej avsedd för användning till barn eller nyfödda.

Varningar, försiktighetsåtgärder, biverkningar

Kateterisering av central ven bör endast utföras av välutbildad personal som känner väl till anatomiska riktmärken och säker teknik. Personalen ska också ha kännedom om möjliga komplikationer.

VARNING!

Katetern ska endast placeras med tillräde via v. femoralis. Låt inte katetern placeras i höger förmak eller höger kammare. Placering i höger förmak eller höger kammare kan leda till svår patientskada eller dödsfall.

Endast för engångsbruk. Produkten är endast avsedd för engångsbruk. Får ej resteriliseras eller återanvändas. Efter att den har avlägsnats från patienten får den inte föras in igen. Katetern får inte ändras på något sätt.

Potentiella risker förknippade med återanvändning av en engångsprodukt innefattar bl.a. följande:

- Potentiellt livshotande infektion
- Toxisk chock pga materialnedbrytning
- Ökad risk för trombos
- Minskad värmeväxlingsförmåga
- Produktfel

VARNING! Det finns en risk för att Icy-katetern och Start-Up Kit av misstag skulle kunna anslutas till andra enheter med kontaktdon med smalt lopp. Sådana anslutningsfel kan leda till patientskada eller dödsfall.

Försiktighet! De specialanpassade luerkopplingarna på katetern och Start-Up Kit kan minska risken för felaktiga anslutningar, men det finns fortfarande en viss risk för felaktiga anslutningar med följande specifika medicinska utrustningar: andningssystem och drivgasenheter, gastroenterala enheter, enheter för uretra och urinvägarna, enheter för uppblåsning av arm-/benkuffar, enheter för tillgång till centrala nervsystemet samt intravaskulära eller subkutana infusions/injektionsenheter. Var alltid försiktig när ZOLL-katetrar och Start-Up Kits ansluts till sådana eller andra medicinska utrustningar/enheter.

Försiktighet! Säkerställ att Icy-katetern och/eller Start-Up Kit inte ansluts till en intravenös infart eller någon annan medicinsk utrustning/enhet.

1. Katetern ska positioneras så att kateterns distala spets befinner sig i v. cava inferior nedanför dess förenig med höger förmak och parallellt med kärlväggen. Röntgenundersökning ska användas för att säkerställa att katetern inte befinner sig i höger förmak eller kammare.
2. **Försiktighet!** Om blod observeras i koksaltlösningssbanan ska proceduren avbrytas och kontroll med avseende på kateterläckage utföras.
3. Möjliga komplikationer med centrala venkatetrar innefattar: perforation av förmak eller kammare, hjärttamponad, luftemboli, kateteremboli, laceration av ductus thoracicus, bakteremi, septikemi, trombos, oavsiktlig punktion av artär, hematombildning, blödning, nervskada samt rytmrubbningar.
4. Alla luerlock-anslutningar och -skydd måste dras åt ordentligt för att förhindra luftemboli eller vätske- eller blodförlust.
5. Använd aldrig överdriven kraft när du flyttar på katetern eller ledaren. Om motstånd påträffas ska en röntgenbild tas för identifiering av orsaken till motståndet.
6. Passage av ledaren in i höger hjärthalva kan orsaka rytmrubbningar, högersidigt skänkelblock eller perforation av kärlvägg, förmak eller kammare.
7. Använd endast steril fysiologisk koksaltlösning till att flöda katetern. Detta är den vätska som cirkulerar i katetern.

8. Katetern ska regelbundet inspekteras med avseende på flödes hastighet, förbandets säkerhet, korrekt kateterposition och säkra luerlock-anslutningar. Använd centimetermarkeringarna för att fastställa om kateterns position har ändrats. En potentiell risk med ballongkatetrar med flera lumen är utebliven behandling inklusive att läkemedelsbehandlingen inte infunderas via infusionslumen.
9. Endast med röntgenundersökning kan man säkerställa att kateterspetsen inte har kommit in i hjärtat eller inte längre ligger parallellt med kärnväggen. Om kateterns position har ändrats ska en röntgenbild tas för att bekräfta kateterspetsens position.
10. Vid blodprovstagning, stäng temporärt återstående infusionsportar genom vilka lösningar infunderas.
11. Använd endast en 30 ml eller mindre spruta för blodprovstagning.
12. Alkohol och aceton kan försvaga skaftmaterialets struktur. Försiktighet måste därför iaktas när läkemedel som innehåller alkohol infunderas eller när alkohol eller aceton används vid rutinmässig katetervård och -skötsel. Alkohol får inte användas för att avlägsna koagel från katetern.
13. Använd endast ZOLL suturflik och clips som medföljer satsen, så att kateterskada förhindras.
14. Om en mindre spruta än 10 ml används till att spola eller avlägsna koagel från en tilltäppt kateter kan det leda till intraluminalt läckage eller kateterruptur.
15. Infundera inte i de brandgula luerlock-kopplingarna märkta med "IN" (IN) och "OUT" (UT), eftersom detta resulterar i utebliven behandling.
16. Feber kan ha infektiösa och/eller icke-infektiösa orsaker hos patienter. Lindring av feber som är ett tecken på eventuell infektion kräver daglig, noggrann bedömning avseende andra tecken på infektion.
17. Var försiktig vid infundering av läkemedel som kan påverkas av kalla temperaturer (så låga som 4 °C). Lösningar som innehåller mannitol är temperaturkänsliga och får inte tillföras genom katetern med undantag för en snabb införsel av en lösning på upp till 20 % mannitol, efterföljd av spolning med fysiologisk koksaltlösning. Infusion eller tillförsel med infusionspump av mannitol med en koncentration på 20 % eller högre måste ske via en separat infusions slang/kateter.
18. Hjärttamponad: Placering av kvarliggande katetrar i höger förmak kan leda till perforation av hjärtat och hjärttamponad. Läkare som placerar centrala venkatetrar måste vara medvetna om denna potentiellt fatala komplikation innan de för fram katetern för långt i förhållande till patientens storlek. Den faktiska positionen för den kvarliggande kateterns spets ska bekräftas med röntgen efter införingen. Centrala venkatetrar får inte placeras i höger förmak utom när så specifikt krävs för speciella, relativt kortvariga procedurer såsom aspiration av en luftemboli under neurokirurgi. Sådana procedurer är ändå riskabla och måste övervakas och kontrolleras noga.
19. Katetern är belagd med heparin. Detta kan framkalla eller förvärra en befintlig heparininducerad trombocytopeni (HIT).
20. **VARNING!** När infusionsset/injektionssystem ansluts till katetern får trycket inte överstiga 100 psi/689 kPa.
21. Hos patienter som genomgår hypotermibehandling kan själva hypotermi förvärra vissa sjukdomstillstånd. Patientens homeostas måste övervakas noggrant under hypotermi.
 - Hjärtrytmrubbningar – både bradykardi och ventrikulär takyarytmi.
 - Koagulation och koagulationssystemet. Patienter för vilka risk föreligger för rubbning av deras koagulation eller koagulationssystem, måste övervakas noga under hypotermi.
 - Analys av blodgaser och pH. Hypotermi modifierar pH och PaCO₂ i vila. Läkare ska vara medvetna om effekten av temperatur på resultatet.
 - Långvarig hypotermi hämmar immunförsvaret och lungfunktionen.

VARNING! Intraluminalt läckage eller ballongläckage. Intraluminalt läckage (mellan koksaltlösningsslumen och infusionslumen) eller ballongläckage utgör ett potentiellt kateterfel. Om ett sådant fel inträffar förs steril koksaltlösning från kylkretsen in i patienten. Intraluminalt läckage eller ballongläckage är vanligen associerat med ett larm om vätskeförlust så snart koksaltlösningsspåsen har tömts, varvid systemet stoppas. **Undersök alltid vätskenivåalarm.** Kylkretsen är ett slutet system – vanligen tyder larm om vätskeförlust på ett läckage någonstans i denna slutna krets. Vid alla larm om vätskeförlust ska både kateterns integritet och Start-Up Kit kontrolleras (se nedan).

VARNING! Om du noterar en tömd koksaltlösningsspåse eller ett luftfällalarm får du inte byta ut koksaltlösningsspåsen innan du har lokaliserat läckaget och vidtagit lämplig åtgärd. Utför kontroll av läckage i systemet enligt anvisningarna i avsnitten Kontroll av läckage i Start-Up Kit och Kontroll av kateterläckage nedan. (Notera att ett läckage kan vara externt eller internt.)

Att upprepade gånger byta ut koksaltlösningsspåsen utan att undersöka läckaget eller förlust av koksaltlösning kan leda till oavsiktlig infusion av koksaltlösning i patienten. Infusion av koksaltlösning kan leda till följande biverkningar: lokal svullnad som kan ge åtföljande lokal vävnadsskada; systemisk vätskeöver-

belastning som kan leda till tyngdkraftsberoende ödem och åtföljande nedbrytning av huden; vätskeöverbelastning av inre organ med åtföljande överbelastning av hjärnan, lungorna eller hjärtat. I vissa fall kan denna vätskeöverbelastning leda till livshotande händelser.

Försiktighet! Konsolen avger ett larm när koksaltlösningsspåsen är tom. Påsen måste vara helt tom och kvarvarande koksaltlösning måste ha runnit ut mellan koksaltspåspetsen och luftfällan för att koksaltlösningssnivån i luftfällan ska bli så låg att larmet utlöses.

Kontroll av läckage i Start-Up Kit

1. Se efter om det finns kondens i luftfällan. Om kondens ses i luftfällan, torka luftfällan och sätt tillbaka den i konsolen. Om ett luftfällalarm har utlösts, bekräfta att luftfällalarmet har försunnit efter detta steg.
2. Se noga efter om det finns några läckage i koksaltbanan från koksaltlösningsspåsen till konsolen. Se efter om det finns koksaltlösning på golvet, konsolen eller i patientens säng.
3. Om det finns koksaltlösning på golvet, konsolen eller i patientens säng, kontrollera att luerkopplingarna på katetern och Start-Up Kit inte är spruckna eller skadade på annat sätt, och att anslutningarna är tillräckligt täta för att förhindra läckage.
4. Om du hittar ett läckage i Start-Up Kit, byt ut Start-Up Kit och kontrollera om det även finns något läckage i katetern.
5. Om du inte hittar något läckage i Start-Up Kit finns det troligen något läckage i katetern. Fortsätt undersökningen.

Kontroll av kateterläckage

1. Koppla bort Start-Up Kit från katetern. Förslut såväl katetern som Start-Up Kit med aseptisk teknik.
2. Fyll en steril spruta med slät luerkoppling, 10 ml, med steril fysiologisk koksaltlösning.
3. Anslut sprutan till kateterns IN-luerkoppling och ta bort OUT-luerskyddet. Infundera 10 ml fysiologisk koksaltlösning – koksaltlösningen ska flöda ut ur OUT-luerkopplingen. Om koksaltlösningen inte flödar ut ur OUT-luerkopplingen tyder detta på ett kateterläckage.
4. Sätt på skyddet på OUT-luerkopplingen och anbringa ett undertryck på 5 ml. Bibehåll detta i minst 10 sekunder. Upp till 4 ml koksaltlösning (inte blod) bör komma in i sprutan och du bör kunna upprätthålla undertrycket. Om spår av blod ses i sprutan eller om undertrycket inte kan bibehållas tyder detta på ett kateterläckage.
5. Om du hittar något läckage i katetern ska katetern bytas ut.
6. Byt ut koksaltlösningsspåsen och vätskefyll Start-Up Kit på nytt.
7. Säkerställ att luerkopplingarna till Start-Up Kit är täta och inte läcker och fortsätt med behandlingen.

Material som krävs

Antal	Beskrivning
1	Icy-katetersats för perkutan införing
1	500 ml påse med steril fysiologisk koksaltlösning (ingår ej)
1	Start-Up Kit (tillhandahålls separat) <ul style="list-style-type: none"> • Standardslang 183 cm (6 fot) eller • förlängd slang 274 cm (9 fot)
1	Coolgard- eller Thermogard-konsol (tillhandahålls separat)
1	Praktisk katetersats [endast för (CO)]
1	YSI-400 temperatursond (tillhandahålls ej)

Förberedelse och införing av kateter

Anm. Katetern är försedd med röntgentäta markörband för att underlätta identifiering av katetern under och efter införing vid granskning med röntgenutrustning. Den proximala änden på den proximala ballongen är försedd med ett markörband. Kateterspetsen innehåller bariumsulfat för att göra den röntgentät.

Använd steril teknik.

Försiktighet! IN- och OUT-luer-locken på denna kateter är specialtillverkade och är avsedda att anslutas endast till det Start-Up Kit som anges under Material som krävs.

Förbereda katetern

1. Placera patienten i ryggläge.
2. Desinficera och drapera punktionsstället efter behov.
3. Ta försiktigt ut katetern ur förpackningen, och låt kateterns membranskydd vara kvar på katetern.
4. Ta av skydden från IN- och OUT-luerkopplingarna. Med kateterskyddet på plats, fyll en spruta (5 ml eller större) med steril fysiologisk koksaltlösning och anslut sprutan till hon-IN-luerkopplingen.

VARNING! Anbringa aldrig övertryck i IN-luerkopplingen när skyddet på OUT-luerkopplingen är på plats.

5. Injicera varsamt fysiologisk koksaltlösning genom katetern tills lösningen börjar komma ut ur OUT-luerkopplingen.
6. Använd en 5 ml eller större spruta till att spola de distala, proximala och mediala infusionsluerkopplingarna med steril fysiologisk koksaltlösning. Kläm av eller sätt på injektionsskydd på de proximala och mediala infusionsluerkopplingarna. Låt den distala luerkopplingen vara utan skydd för att tillåta passage av ledare.

Försiktighet! Flöda alltid kateterns infusionsluerkopplingar innan katetern förs in i patienten.

7. Ta av kateterns membranskydd. Spola membranskyddet med steril koksaltlösning om du stöter på motstånd när du tar av det från katetern. Inspektera katetern för att säkerställa att luft har avlägsnats från värmeväxlingsmembranet. Kontrollera att katetern inte läcker.

Försiktighet! Undvik kraftig avtorkning av den belagda katetern. Undvik att torka av katetern med torr gasväv, eftersom detta kan skada kateterns beläggning. Undvik att använda alkohol, antiseptiska lösningar eller andra lösningsmedel för att förbehandla katetern, eftersom detta kan medföra oförutsägbara förändringar av beläggningen vilket kan påverka enhetens säkerhet och prestanda.

VARNING! Katetern får inte kapas i syfte att ändra längden.

Lägga in katetern

VARNING! Använd enbart tillträde via v. femoralis.

1. Skaffa åtkomst till v. femoralis med vedertagen perkutan teknik. Åtkomsten ska upprätthållas med en ledare 0,81 mm (0,032 tum). Se bruksanvisningen till ledaren.
VARNING! Försök inte att återinföra en OTN-introducernål ("over the needle") som har dragits ut helt eller delvis ur sin kateter.
Försiktighet! Använd inte en grövre ledare än 0,81 mm (0,032 tum) med katetern.
2. Håll ledaren på plats medan du avlägsnar introducerkatetern.
Försiktighet! Bibehåll hela tiden ett fast grepp om ledaren.
3. Förstora punktionsstället i huden med skalpellens skärande egg vänd bort från ledaren.
VARNING! Ledaren får inte kapas. Förstora stället med en kärldilatator efter behov. För att minska risken för perforation av kärlväggen får kärldilatator inte lämnas kvar som en kvarliggande kateter.
4. För på kateterspetsen över ledaren. Upprätthåll ett tillräckligt fast grepp om ledaren under kateterinföringen. Grip katetern nära huden och för in katetern i venen. Fortsätt att föra in katetern över ledaren med fingrarna placerade omedelbart proximalt om ballongen.
5. Använd centimetermarkeringarna på katetern som referenspunkter för positioneringen och för in katetern till minst minimimarkeringssiffran för att säkerställa att den proximala infusionsporten befinner sig i blodkärlet.
6. Håll katetern på önskat djup och avlägsna ledaren. Om du stöter på motstånd vid försök att avlägsna ledaren efter placering av katetern kan ledaren vara knickad vid kateterspetsen. Om du stöter på motstånd, dra tillbaka katetern ca 2–3 cm i förhållande till ledaren och försök att avlägsna ledaren. Om du återigen stöter på motstånd ska ledaren och katetern avlägsnas samtidigt.
Försiktighet! Anbringa inte onödig kraft på ledaren.
7. Bekräfta att ledaren är intakt efter att den avlägsnats.
8. Kontrollera kateterplaceringen genom att ansluta en spruta till den distala infusionsluerkopplingen och aspirera tills fritt flöde av venblod observeras. Anslut infusionsluerkopplingen till tillämplig luerlock-slang, efter behov. Den oanvända infusionsporten kan låsas med hjälp av injektionsskyddet enligt vedertagen sjukhusrutin. Slangen är försedd med en glidklämma för att ockludera flödet genom infusionsluerkopplingen vid byte av slang och injektionsskydd.

Försiktighet! För att minska risken för skada på slangen på grund av övertryck måste klämman öppnas före infusion via luerkopplingen.

Försiktighet! Kläm inte av eller ockludera IN- eller OUT-slangarna. Detta kan medföra att vätskebanan blockeras och leda till fel.

9. Säkra och lägg på ett temporärt förband på införingsstället och katetern.
10. Bekräfta kateterspetsens position med röntgen av thorax omedelbart efter placeringen. Röntgenundersökningen måste visa att katetern är placerad i v. cava inferior med den distala änden av katetern parallell med väggen i vena cava. Om kateterspetsen är felplacerad, placera om den och bekräfta läget igen.
11. Den proximala röntgentäta markören anger ballongens proximala ände. Säkerställ att ballongen ligger helt inne i kärlet. Om katetern är felplacerad, placera om den och bekräfta läget igen.
12. Sätt fast katetern på patienten. Använd sidovingarna på suturfliken som primär suturplats för att minimera risken för katetermigration.
13. Suturfliken och clipset från ZOLL kan också användas som ytterligare festsättningspunkt. Säkerställ att katetern sitter säkert och inte glider.
Försiktighet! Använd endast ZOLL suturflik och clips som medföljer i satsen. Katetern kan skadas om andra flikar eller clips används.
Försiktighet! Sutura inte direkt till kateterns utvändiga vägg, så att risken för att kapa eller skada katetern eller hindra kateterflödet minskas.
14. Lägg förband på punktionsstället enligt sjukhusets rutiner. Sköt om införingsstället med regelbundet, aseptiskt och noggrant byte av förband.
15. Anteckna i patientens journal längden på den kvarliggande katetern med hjälp av centimetermärkena på kateterskaftet som referens. Kontrollera ofta visuellt att katetern inte har flyttat på sig.
16. Anslut ett flödat Start-Up Kit till katetern: Anslut Start-Up Kits hanluerkoppling till kateterns hon-IN-luerkoppling (märkt "IN"). Anslut Start-Up Kits honluerkoppling till kateterns han-OUT-luerkoppling (märkt "OUT"). Vita "ZOLL"-etiketter är löst fästade vid IN- och OUT-förångnings slangarna för att göra det lättare att identifiera dem.
Ann. Start-Up Kits IN- och OUT-luerkopplingar är avsedda att anslutas endast till kateterns IN- och OUT-luerkopplingar och är inte avsedda att anslutas till luerlock-sprutor av standardtyp. De är försedda med specialkonstruerade ZOLL-fattningar och är brandgula för att underlätta identifieringen av dem.
17. Säkerställ att en tillräcklig mängd steril fysiologisk koksaltlösning finns vid luerkopplingarnas ändar så att en luffri anslutning kan åstadkommas. Se användarhandboken.
VARNING! Felaktig anslutning av Start-Up Kit till katetern kan leda till kateterfel. Anslut inte Start-Up Kits luerkopplingar (brandgula) till de blå, vita eller bruna luerkopplingarna.
Försiktighet! Anslut inte Start-Up Kit till den distala porten.
Försiktighet! Placera inga kranar som skulle kunna stängas oavsiktligt i vätskebanan. Detta kan medföra att vätskebanan blockeras och leda till fel.
18. Pumpa fysiologisk koksaltlösning genom Start-Up Kit och katetern för att säkerställa att alla anslutningar är säkra och att läckage inte förekommer. Låt all kvarvarande luft i systemet tömmas ut så som beskrivs i användarhandboken.

Koppla bort katetern från konsolen

1. Avbryt cirkulationen av fysiologisk koksaltlösning genom katetern.
2. Koppla bort Start-Up Kit från katetern.
3. För att hålla anslutningarna sterila ska både kateterns och Start-Up Kits luerkopplingar omedelbart förslutas med sterila luerskydd eller så ska IN- och OUT-luerkopplingarna kopplas ihop med varandra.

Återansluta katetern till konsolen

1. Ta av luerskydden från kateterns och Start-Up Kits luerkopplingar. Kassera luerskydden eller koppla bort IN- och OUT-luerkopplingarna från varandra.
2. Anslut Start-Up Kit till katetern: Anslut Start-Up Kits hanluerkoppling till kateterns hon-IN-luerkoppling. Anslut Start-Up Kits honluerkoppling till kateterns han-OUT-luerkoppling. Start-Up Kits och kateterns IN- och OUT-luerkopplingar är brandgula. Säkerställ att en tillräcklig mängd steril fysiologisk koksaltlösning finns vid luerkopplingarnas ändar så att en luffri anslutning kan åstadkommas.
VARNING! Felaktig anslutning av Start-Up Kit till katetern kan leda till kateterfel.
VARNING! Använd inte IN- och OUT-luerfattningarna till standard-infusionsportar för centrala venkatetrar. De är avsedda endast för anslutning till Coolgard-/Thermogard-konsolen. Start-Up Kits IN- och OUT-luerkopplingar är avsedda att anslutas endast till kateterns IN- och OUT-luerkopplingar. De är försedda med specialkonstruerade ZOLL-fattningar och är brandgula för att underlätta identifieringen av dem.
Försiktighet! Placera inga extra kranar som skulle kunna stängas oavsiktligt i vätskebanan. Detta kan medföra att vätskebanan blockeras och leda till fel.

Avlägsna katetern

1. Avbryt pumpning av fysiologisk koksaltlösning genom katetern.
2. Koppla bort Start-Up Kit från katetern. **Ta av skydden från kateterns IN- och OUT-luerkopplingar eller låt dem vara oförslutna.** Detta gör att kvarvarande fysiologisk koksaltlösning i kretsen kan pressas ut. Ballongerna komprimeras när katetern dras ut. Koksaltlösningen i ballongerna måste kunna passera fritt ut ur ballongen, annars töms inte ballongen vilket gör det svårt att avlägsna katetern.
3. Alternativt kan en 20 eller 25 ml spruta anslutas till kateterns IN-luerkoppling. Anbringa och bibehåll ett undertryck i 15 sekunder för att låta kvarvarande koksaltlösning avlägsnas från kateterns ballongdel innan katetern avlägsnas.
4. Placera patienten i ryggläge. Ta bort förbandet. Ta bort suturema från sutureringsplatsen.
WARNING! Placera inte ett luerskydd på OUT-luerkopplingen.
5. Dra långsamt ut katetern ur patienten. Medan katetern kommer ut, anbringa tryck med en lufttät kompress, som t.ex. gasväv med vaselin.
WARNING! Flytta inte katetern om du känner motstånd. Säkerställ att kylkretsens IN- och OUT-luerkopplingar INTE är förslutna med skydd. Om de är tillslutna, ta av skydden, töm ballongen och försök att avlägsna katetern igen. Om du fortfarande träffar på motstånd ska en röntgenbild tas för identifiering av orsaken till motståndet.

Information om MR-säkerhet



MR-villkörtigt
("MR Conditional")

Icy intravaskulär värmeväxlande kateter är MR-villkörtigt ("MR Conditional"). En patient med denna kateter kan skannas säkert förutsatt att följande villkor är uppfyllda. Om dessa villkor inte uppfylls kan det resultera i patientskador.

Parameter	Villkor
Statiskt magnetfält, nominella värden (T)	1,5 T och 3,0 T
Maximal spatiell magnetfältgradient (T/m och gauss/cm)	40 T/m (4 000 gauss/cm)
Typ av radiofrekvent excitation	CP ("Circularly Polarized", cirkulärt polariserad) (dvs quadrature-driven)
Information om RF-sändande spole	Inga restriktioner föreligger vad gäller RF-sändande spole. Följande får därför användas: RF-sändande kroppsspole i kombination med alla övriga RF-spolar (dvs. RF-kroppsspole kombinerad med alla endast RF-mottagande spolar, RF-sändande/-mottagande huvudspolar, RF-sändande/-mottagande knäspolar etc.)
MR-systemets driftläge	Normal Operating Mode
Maximalt genomsnittligt SAR-värde för hela kroppen	2 W/kg (Normal Operating Mode)
Tidsgräns för undersökningen	Genomsnittligt SAR-värde för hela kroppen på 2 W/kg under 60 minuters kontinuerlig RF-exponering (dvs. per pulssekvens eller på varandra följande sekvenser/serier utan avbrott)
MR-bildartefakt	Närvaron av detta implantat ger upphov till en bildartefakt. Väij därför pulssekvensparametrar med omsorg om implantatet befinner sig i området av intresse.
WARNING!	ZOLL Coolgard- och Thermogard-konsolerna är MR-farliga ("MR Unsafe") och är således inte tillåtna i rum med MR-system. Katetern måste därför kopplas bort från konsolen innan patienten förs in i rummet med MR-systemet.

Bruksanvisning till ledare

Anm. Denna information gäller endast användningen av ledare vid placering av katetrar i kärlsystemet med Seldinger-teknik.

Varningar

Den tillhandahållna ledaren är endast avsedd för engångsbruk. Får ej resteriliseras eller återanvändas. Efter att den har avlägsnats från patienten får den inte föras in igen.

Om du stöter på motstånd när ledaren förs in eller dras ut får du inte fortsätta att förflytta den. Fastställ orsaken till motståndet under genomlysning och vidta nödvändig åtgärd.

Var ytterligt försiktig när du för en ledare genom en stent. Användning av en ledare i stentade kärl medför ytterligare risk för patienten.

Försiktighetsbeaktanden

Undvik att dra tillbaka ledaren genom metallnålar. Om så sker kan ledaren rivas sönder.

Eftersom ledare är ömtåliga och sköra måste extra försiktighet iaktas vid hantering. Undvik att böja eller knicka dem. Använd inte skadade ledare.

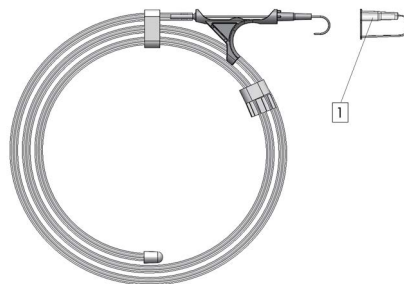
Under förvaring eller procedurer, undvik att rulla ihop ledaren till en mindre diameter än 20,32 cm (8 tum), eftersom mindre diametrar utsätter ledaren för onödigt stora påfrestningar och kan medföra att den knickas. Den tillhandahållna dispensern är det bästa hjälpmedlet för förvaring och hantering av ledaren.

Tillräcklig ledarlängd måste finnas utanför patienten så att man hela tiden kan hålla ledaren i ett stadigt grepp.

Dispenser

Varje ledare levereras i en dispenserförpackning i en Tyvek-påse. Ta ut ledaren ur Tyvek-påsen. Ta av ledarens skyddshätta omedelbart innan ledaren tas i bruk. Förbered ledaren före införing. Det rekommenderas att dispensern fylls med hepariniserad lösning (t.ex. fysiologisk koksaltlösning eller dextros) för att våta ledaren under införingen.

Den förformade "J"-ledaren återfår sin form när den tas ut ur produktdispensern.



1. Ledarens skyddshätta

Inspektion

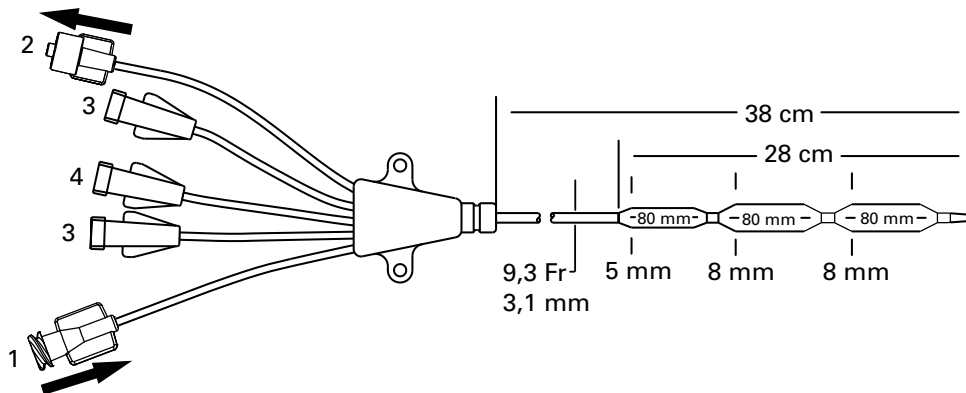
Inspektera ledaren före användning och kassera den om den är deformerad på något sätt. Ledarens placering bör rutinemässigt övervakas med röntgen eller genomlysning.

Teknik

1. Punktera kärlet.
2. För in ledaren i nålfattningen och för försiktigt in 5–10 cm av ledaren i det punkterade kärlet. För in ledaren till önskad position.
Försiktighet! Undvik ovarsam eller mycket kraftig manipulation av ledaren, så att skada på ledaren eller kärlet förhindras.
3. Ta av nålen från ledaren.
4. Dilatera vävnaden och kärlet med dilatatorn med en lätt roterande rörelse.
5. Avlägsna dilatatorn (kärdilatatorn är endast avsedd för kärldilatation).
6. För in katetern genom skjuta den över ledaren.
7. Avlägsna ledaren.

Icy-kateter

1. IN-luerkoppling
2. OUT (UT)-luerkoppling
3. Infusionsportar
4. Distal luerkoppling



©2024 ZOLL Medical Corporation. Med ensamrätt. ZOLL och Icy är varumärken eller registrerade varumärken som tillhör ZOLL Medical Corporation och/eller ZOLL Circulation Inc. i USA och/eller andra länder. Alla varumärken tillhör respektive ägare.

Patent: www.zoll.com/patents

Suomi (fi)

Malli IC-3893AE/8700-0782-40 ja IC-3893CO/8700-0782-14

Suonensisäisen Icy®-lämmönvaihtokatetrin välinesarjan sisältö:

Määrä	Kuvaus
1 AE(CO)	Suonensisäinen Icy-lämmönvaihtokatetri 9,3 F x 38 cm Kolme infuusio-luer-liitintä Jatkoletkun puristimet Röntgenpositiivinen varsi Applause-hepariinipinnoite
1 AE(CO)	Ohjainlanka 0,81 mm (0,032") x 75 cm
1 AE(CO)	Suonenlaajennin 3,6 mm x 1,0 mm (10,5 F x 0,038")
1 AE(CO)	Irrotettava ommelkieleke ja -hakanen
1 AE	Röntgenpositiivinen OTN-katetri 1,3 mm x 63 mm (18 G x 2½")
1 AE	Ruisku 5 ml ja neula 0,7 mm x 38 mm (22 G x 1½")
1 AE	Aukollinen leikkausliina
1 AE	Neula 1,3 mm x 70 mm (18 G x 2¾")
6 AE	Harsotaitokset 10 cm x 10 cm (4" x 4")
1 AE	Silkkiommellanka 000
1 AE	Pitkävärtinen leikkausterä nro 11

Huomautus – Sarjan osat mallin mukaan

Kukin perusmalli on saatavana joko vakiotyyppisen sisäänviennin tukisarjan kanssa (AE) tai ilman vakiotyyppistä sisäänviennin tukisarjaa (CO). Kummallekin sarjalle yhteiset osat on merkitty edellä olevassa taulukossa koodilla AE(CO). Lisäosat, jotka ovat vain vakiosarjassa, on merkitty koodilla AE.

Laitteen kuvaus

Suonensisäinen Icy-lämmönvaihtokatetri ("Icy-katetri" tai "katetri") on steriili, kertakäyttöinen, taipuisa 9,3 F:n katetri, joka on tarkoitettu sijoitettavaksi alaonttolaskimoon reisilaskimossa olevan sisäänvientikohdan kautta. Icy-katetri on tarkoitettu liitettäväksi sekä kertakäyttöiseen ZOLL®-aloitus-sarjaan että Coolgard®- tai Thermogard®-tuoteperheen konsoliin ("konsoli") (kaikki toimitetaan erikseen). Icy-katetrin perkutaaniseen sisäänventtiin tarvitaan laajennin ja ohjainlanka. Käytettävissä on kolme luer-liitintä infuusiota ja näytteenottoa varten.

Infuusioportti	Virtausnopeus	Esitäyttömäärä
Distaalinen (ruskea)	1700 ml/h	0,5 ml
Mediaalinen (valkoinen)	900 ml/h	0,4 ml
Proksimaalinen (sininen)	1200 ml/h	0,4 ml

Veren kanssa kosketuksiin pääsevät katetripinnat (kärki, pallo ja varsi) on käsitelty antitromboottisella Applause-hepariinipinnoitteella.

Steriiliys

Steriloitu etyleenioksidilla. Katetri toimitetaan steriilinä kertakäyttöön, eikä sitä saa steriloida uudelleen. Pakkaus on tarkastettava ennen käyttöä sen valmistamiseksi, että steriiliesteen eheys ei ole vaarantunut.

Säilytys

Säilytettävä viileässä ja kuivassa. Vältettävä jäätymistä ja liiallista kuumuutta.

Tarkoitettu käyttö

Kun Icy-katetriä käytetään yhdessä Coolgard- tai Thermogard-järjestelmän kanssa, sen avulla voidaan kierrättää lämpösäädettyä keittosuolaliuosta lämmönvaihtimen läpi potilaan veren jäädyttämiseksi tai uudelleen lämmittämiseksi potilailla, joilla keskuslaskimokatetrin riskit ovat perusteltuja. Maksimaalinen käyttöaika: 4 vuorokautta.

Vasta-aiheet

- Katetrin riskit ovat periaatteessa samat kuin keskuslaskimokatetrillakin. Katetria ei saa käyttää potilailla, joilla ei ole indikoitu keskuslaskimokatetrin käyttöä.
- Alttius verenvuodolle.
- Aktiivinen sepsis.
- Infektio tai aktiivista verenvuotoa katetrin sisäänvientikohdassa.
- Potilaat, joilla ei ole verisuoniyhteyttä tai joiden verisuonisto ei mahdollista katetrin käyttöä, mukaan lukien potilaat, joilla on onttolaskimon suodattimia tai muita implantteja, jotka estävät katetrin kulkua.
- Potilaat, joilla ei voida tehdä vaadittua lämpötilan valvontaa.
- Hypotermia on vasta-aiheista potilailla, joilla on hematologinen sairaus, jota hypotermia pahentaa (esim. mikä tahansa tauti, joka aiheuttaa kryoglobulinemiaa, mikä tahansa hemoglobiinopatia, jossa kylmyys voi aiheuttaa hemolyyttistä anemiaa, mukaan lukien sirppisolusairaus tai talassemia).
- Ei ole tarkoitettu käytettäväksi lapsilla tai vastasyntyneillä.

Varoitukset, varotoimenpiteet, haittavaikutukset

Keskuslaskimokatetroinnin saavat suorittaa ainoastaan henkilöt, joilla on tehtävään tarvittava kokemus ja jotka tuntevat anatomian ja turvalliset menetelmät. Heidän tulee tuntea myös mahdolliset komplikaatiot.

VAROITUS

Katetrin saa asettaa vain reisilaskimon kautta. Katetria ei saa sijoittaa oikeaan eteiseen tai oikeaan kammioon. Sijoittaminen oikeaan eteiseen tai oikeaan kammioon voi johtaa potilaan vakavaan vammaan tai kuolemaan.

Ainoastaan kertakäyttöinen. Tuote on tarkoitettu ainoastaan kertakäyttöiseksi. Sitä ei saa steriloida tai käyttää uudelleen. Sitä ei saa viedä takaisin potilaaseen potilaasta poistamisen jälkeen. Katetria ei saa muuntaa millään tavalla.

Kertakäyttöisten laitteiden uudelleenkäyttöön liittyviä riskejä ovat mm. seuraavat:

- mahdollisesti hengenvaarallinen infektio
- materiaalien rappeutumisesta aiheutuva toksinen sokki
- tromboosiriskin suurentuminen
- heikentynyt lämmönvaihtoteho
- laitteen vikaantuminen.

VAROITUS. Icy-katetri ja aloitussarja on mahdollista kytkeä väärin muihin laitteisiin, joissa on pienireikäiset liittimet. Tällaiset kytkemisvirheet voivat johtaa potilaan vammaan tai kuolemaan.

Huomio. Katetrin ja aloitussarjan sisältämät erikoistyyppiset luer-liittimet voivat vähentää väärinkytkemisen riskiä, mutta siitä huolimatta on olemassa väärin kytkemisen mahdollisuus seuraavissa hoitolaiteiden käyttösovellutuksissa: hengitysjärjestelmä- ja kaasujenantosovellutukset, enteraaliset ja gastriset sovellutukset, virtsaputki- ja virtsatiesovellutukset, raajamansetin täyttösovellutukset, neuroakksiaalset sovellutukset sekä suonensisäiset tai hypodermiset sovellutukset. Noudata aina varovaisuutta, kun liität ZOLL-katetreja ja aloitussarjoja näihin ja muihin lääkinällisiin laitteisiin.

Huomio. Varmista, ettei Icy-katetriä tai aloitussarjaa liitetä IV:hen tai muuhun lääkinnälliseen laitteeseen.

- Katetri on asetettava siten, että katetrin distaalikärki on alaonttolaskimossa alaonttolaskimon ja oikean eteisen liittymäkohdan alapuolella ja samansuuntaisesti suonen seinämän kanssa. Röntgenkuvauksen avulla on varmistettava, ettei katetri ole oikeassa eteisessä tai kammiossa.
- Huomio.** Jos keittosuolaliuosletkussa näkyy verta, keskeytä toimenpide ja tee katetrin vuodon tarkastus.
- Keskuslaskimokatetrin mahdollisia komplikaatioita ovat mm. valtimon tai laskimon perforaatio, sydäntamponaatio, ilmaembolia, katetriembolia, rintatiehyen laseraatio, bakteremia, septikemia, tromboosi, tahaton valtimon puhkaisu, hematooman muodostuminen, verenvuoto, hermovaurio ja rytmihäiriöt.
- Kaikki luer lock -liitännät ja -suojukset täytyy kiristää tiukasti, jotta estetään ilmaembolia tai neste- tai verenhukka.
- Älä koskaan käytä liiallista voimaa liikuttaessasi katetria tai ohjainlankaa. Jos tunnet vastusta, vastuksen syy tulee selvittää röntgenkuvauksen avulla.
- Ohjainlangan vienti sydämen oikeaan puoliskoon voi aiheuttaa rytmihäiriöitä, oikean puolen haarakatkoksen tai suonen seinämän, sydäneteisen tai sydänkammion perforaation.
- Käytä katetrin esitäyttöön vain steriiliä fysiologista keittosuolaliuosta. Se on katetrissa kiertävä neste.
- Katetri tulee tarkastaa säännöllisesti virtausnopeuden, sidoksen kiinnittymisen, katetrin oikean sijainnin ja luer lock -liitännöjen pitävyyden suhteen. Käytä senttimetrimerkkejä apuna määrittäessäsi, onko katetrin sijainti muuttunut. Moniluumensia pallokatetreja käytettäessä on olemassa vaara, ettei potilas saa hoitoa mm. sen vuoksi, ettei lääkettä anneta infuusioluumenien kautta.

9. Vain röntgenkuvauksella voidaan varmistaa, ettei katetrin kärki ole mennyt sydämeen tai ole enää samansuuntaisesti suonen seinämän kanssa. Jos katetrin sijainti on muuttunut, varmista katetrin kärjen sijainti röntgenkuvauksella.
10. Olettaessa verinäytettä sulje jäljellä olevat, infuusioliuoksien antamiseen käytettävät infuusioporit väliaikaisesti.
11. Käytä verinäytteiden ottoon vain 30 ml:n tai sitä pienempää ruiskua.
12. Alkoholi ja asetoni voivat heikentää varren materiaalia. Tämän vuoksi on oltava varovainen, kun infusoidaan lääkkeitä, jotka sisältävät alkoholia, tai kun alkoholia tai asetonia käytetään katetrin huoltoon ja puhdistamiseen. Katetrin hyytymien poistamiseen ei saa käyttää alkoholia.
13. Käytä vain sarjan mukana toimitettua ZOLL-ommelkielekettä ja -hakasta, jotta katetri ei vahingoittuisi.
14. 10 ml:aa pienemmän ruiskun käyttö tukkeutuneen katetrin huuteluun tai hyytymien poistoon voi aiheuttaa intraluminaalista vuotoa tai katetrin repeämisen.
15. Infuusiota ei saa antaa oranssinvärisiin IN (SISÄÄN)- ja OUT (ULOS) -luer-lock-liitäntöihin, koska silloin potilas ei saa hoitoa.
16. Kuumeeseen voivat olla syynä infektoihin liittyvät tai liittymättömät tekijät. Jos mahdollisesta infektiosta johtuva kuume lievenee, infektioiden muiden merkkien tarkka päivittäinen arviointi on tarpeen.
17. Ole varovainen, kun annat lääkeinfuusiota, joihin viileät lämpötilat (jopa 4 °C) voivat vaikuttaa. Mannitolia sisältävät liuokset ovat herkkiä lämpötiloille, eikä niitä saa antaa katetrin kautta, paitsi kun annetaan enintään 20 % mannitolia sisältävän liuoksen nopea infuusio, jota seuraa keittosuolaliuoshuuhdeltu. Jos tiputuksen mannitolipitoisuus on yli 20 % tai mannitolia annetaan infuusiopumpulla, mannitoli on annettava erillisen letkun kautta.
18. Sydämen tamponaatio: Kestokatetrin sijoittaminen oikeaan eteiseen on käytäntö, joka voi aiheuttaa sydämen perforaation tai tamponaation. Keskuslaskimokatetreja asettavien lääkäreiden täytyy olla tietoisia tästä mahdollisesti hengenvaarallisesta komplikaatiosta, ennen kuin katetri viedään potilaan kokoon nähden liian kauaksi eteenpäin. Kestokatetrin kärjen todellinen sijainti tulee varmistaa sisäänviennin jälkeen röntgenkuvauksella. Keskuslaskimokatetreja ei saa asettaa oikeaan eteiseen, ellei se ole erityisesti tarpeen joidenkin suhteellisen lyhytkestoisten erityistoimenpiteiden vuoksi, kuten ilmaemobolian aspirointi neurokirurgian aikana. Tällaiset toimenpiteet ovat joka tapauksessa riskialttiita, ja niitä on seurattava ja hallittava tarkasti.
19. Katetri on päällystetty hepariinilla. Tämä voi aiheuttaa tai pahentaa jo olemassa olevaa hepariinin aiheuttamaa trombosytopeniaa (HIT).
20. **VAROITUS.** Kun katetriin liitetään infuusiövälilinjät tai ruiskupumpulaitteita, paine ei saa olla yli 689 kPa (100 psi).
21. Potilailla, jotka tehdään hypotermisiksi, hypotermia itse voi pahentaa joitakin sairaustiloja. Potilaan homeostaasia tulee seurata huolellisesti hypotermian aikana.
 - Sydämen rytmihäiriöt – sekä bradykardia että ventrikulaarinen takyarytmia.
 - Hyytyminen. Potilaita, joilla on hyytymishäiriöiden vaara, tulee tarkkailla huolellisesti hypotermian aikana.
 - Verikaasu- ja pH-analyysi. Hypotermia muuttaa lepotilan pH:ta ja PaCO₂:ta. Lääkäreiden tulee olla tietoisia siitä, että lämpötila vaikuttaa tulokseen.
 - Pitkäaikainen hypotermia heikentää immuunivastetta ja keuhkotoimintaa.

VAROITUS. Intraluminaalinen tai pallon vuoto. Intraluminaalinen vuoto (keittosuolaliuosluumenin ja infuusioliuumenin välillä) tai pallon vuoto on mahdollinen katetrin toimintahäiriö. Jos näin käy, steriiliä keittosuolaliuosta pääsee jäähdytyspiiristä potilaaseen. Intraluminaalinen vuoto tai pallon vuoto liittyy yleensä nestehäviön hälytykseen, sen jälkeen kun keittosuolaliuospuussi on tyhjentynyt, ja pysäyttää järjestelmän. **Tutki aina nestemäärän hälytykset.** Jäähdytyspiiri on suljettu silmukajärjestelmä – nestehäviön hälytykset ovat tavallisesti merkki siitä, että tämä suljettu silmukka on rikkoutunut jostakin kohdasta. Kun nestehäviön hälytys tapahtuu, tarkasta sekä katetrin että aloitussarjan eheys (katso jäljempänä).

VAROITUS. Jos huomaat ilmalukkohälytyksen tai että keittosuolaliuospuussi on tyhjentynyt, älä vaihda keittosuolaliuospuussia, ennen kuin olet selvittänyt vuodon sijainnin ja ryhtynyt asianmukaisiin korjaaviin toimenpiteisiin. Tarkasta, onko järjestelmässä vuotoja, jäljempänä olevissa kohdissa Aloitussarjan vuodon tarkistaminen ja Katetrin vuodon tarkistaminen annettujen ohjeiden mukaisesti. (Huomaa, että vuoto voi olla ulkoinen tai sisäinen.)

Keittosuolaliuospuussin toistuva vaihtaminen tutkimatta vuotoa tai keittosuolaliuoksen häviämisen syytä voi johtaa siihen, että potilaaseen infusoidaan tahattomasti suolaliosta. Suolaliuosinfuusio voi aiheuttaa seuraavia haittavaikutuksia: paikallinen turvotus, joka voi aiheuttaa myöhemmin paikallisia kudosaivourioita, systeeminen nesteylikuormitus, joka voi johtaa painovoimaturvotukseen ja sen jälkeiseen ihon rikkoutumiseen, sisäelinten nesteylikuormitus ja sen jälkeinen aivojen, keuhkojen tai sydämen ylikuormitus. Joissakin tapauksissa tämä nesteylikuormitus voi johtaa hengenvaarallisiin tapahtumiin.

Huomio. Konsoli antaa hälytyksen, kun keittosuolaliuospuussi on tyhjä. Pussin on oltava aivan tyhjä ja keittosuolaliuosta on täytynyt valua pois lisää keittosuolaliuosletkun piikin ja ilmalukon välillä, jotta keittosuolaliuoksen taso ilmalukossa laskisi riittävästi hälytyksen laukaisemiseksi.

Aloitussarjan vuodon tarkistaminen

1. Tarkasta, onko ilmalukossa kondensaatiota. Jos ilmalukossa on merkkejä kondensaatiosta, pyyhi ilmalukko ja asenna se takaisin konsoliin. Jos kyseessä on ilmalukkohälytys, varmista, että ilmalukkohälytys on poistettu tämän vaiheen jälkeen.
2. Tarkasta huolellisesti keittosuolaliuoksen reitti keittosuolaliuospuussista konsoliin mahdollisten vuotojen varalta. Tarkasta, onko keittosuolaliuosta lattialla, konsolissa tai potilaan sängyssä.
3. Jos lattialla, konsolissa tai potilaan sängyssä on keittosuolaliuosta, tarkasta, etteivät katetrin ja aloitussarjan luer-liittimet ole murtuneet tai vaurioituneet ja että liittännät ovat riittävän tiiviit vuotojen estämiseksi.
4. Jos aloitussarjassa on vuoto, vaihda aloitussarja ja katso, onko myös katetrissa vuoto.
5. Jos et löydä vuotoa aloitussarjasta, niin vuoto on todennäköisesti katetrissa. Tutki asiaa tarkemmin.

Katetrin vuodon tarkistaminen

1. Irrota aloitussarja katetrasta. Sulje sekä katetri että aloitussarja asianmukaisesti tulpalla aseptiikkaa noudattaen.
2. Täytä steriili 10 ml:n slip-kärkinen ruisku steriilillä keittosuolaliuksella.
3. Liitä ruisku katetrin IN (SISÄÄN) -luer-liittimeen ja irrota OUT (ULOS) -tulppa. Infusoi 10 ml keittosuolaliuosta – keittosuolaliuoksen tulisi virrata ulos OUT (ULOS) -luer-liittimestä. Jos keittosuolaliuos ei virtaa ulos OUT (ULOS) -luer-liittimestä, se on merkki siitä, että katetri vuotaa.
4. Sulje OUT (ULOS) -luer-liittimen tulppa ja ime 5 ml:n alipaine. Pidä yllä vähintään 10 sekuntia. Ruiskuun pitäisi tulla enintään 4 ml keittosuolaliuosta (ei verta), ja sinun tulisi pystyä ylläpitämään alipaine. Jos ruiskussa näkyy jälkiä verestä tai jos alipainetta ei pystytä ylläpitämään, se on merkki siitä, että katetri vuotaa.
5. Jos löydät vuodon katetrasta, vaihda katetri.
6. Vaihda keittosuolaliuospuussi ja esitäytä aloitussarja uudelleen.
7. Varmista, että aloitussarjan luer-liittännät ovat tiiviit, ja jatka hoitoa.

Tarvittavat materiaalit

Määrä	Kuvaus
1	Icy-katetrisarja perkutaanista sisäänvientiä varten
1	500 ml:n pussi steriiliä tavallista keittosuolaliuosta (ei toimiteta mukana)
	Aloitussarja (toimitetaan erikseen)
1	<ul style="list-style-type: none"> • 183 cm (6 jalkaa) pitkä vakioletku tai • 274 cm (9 jalkaa) pitkä jatkoletku
1	Coolgard- tai Thermogard-konsoli (toimitetaan erikseen)
1	Katetrin varustesarja [vain (CO)]
1	YSI-400-lämpöanturi (ei toimiteta mukana)

Katetrin valmistelu ja sisäänvienti

Huomautus. Katetrissa on röntgenpositiivinen merkkirengas, joka helpottaa katetrin tunnistamista sisäänviennin aikana ja sen jälkeen, kun katetria tarkkaillaan röntgenlaitteistoa käyttämällä. Proksimaalisen pallon proksimaalipäässä on yksi merkkirengas. Katetrin kärjessä on bariumsulfattia, joka tekee siitä röntgenpositiivisen.

Käytä steriiliä tekniikkaa.

Huomio. Tämän katetrin IN (SISÄÄN)- ja OUT (ULOS) -luer-lock-liittimet ovat erikoisvalmisteisia, ja ne on tarkoitettu liittämään vain aloitussarjoja, jotka on lueteltu Tarvittavat materiaalit -kohdassa.

Katetrin valmistelu

1. Aseta potilas selinmakuulle.
2. Valmistelet punktiokohta ja aseta leikkausliinat paikoilleen tarpeen mukaan.
3. Ota katetri varovasti pakkauksesta, mutta jätä katetrin kalvosuojon paikalleen.

- Irrota tulpat IN (SISÄÄN)- ja OUT (ULOS) -luer-liittimistä. Täytätä ruisku (5 ml tai suurempi) steriilillä keittosuolaliuoksella katetrin suojuksen ollessa paikallaan ja kiinnitätä ruisku naaraspuoliseen IN (SISÄÄN) -luer-liittimeen.
VAROITUS. IN (SISÄÄN) -luer-liittimeen ei saa koskaan injektoida positiivista painetta, kun OUT (ULOS) -luer-liittimen tulppa on paikallaan.
- Ruiskuta keittosuolaliuosta varovasti katetrin läpi, kunnes sitä alkaa tulla ulos OUT (ULOS) -luer-liittimestä.
- Huuhtelee distaalinen, proksimaalinen ja mediaalinen infuusio-luer-liitin steriilillä keittosuolaliuoksella käyttäen 5 ml:n tai suurempaa ruiskua. Sulje proksimaalinen ja mediaalinen infuusio-luer-liitin puristimilla tai kiinnitätä niihin injektiotulpat. Jätätä distaalinen luer-liitin ilman tulppaa ohjainlangan sisäänvientiä varten.
Huomio. Esitätätä katetrin infuusio-luer-liittimet aina, ennen kuin katetria viedätän potilaaseen.
- Poista katetrin kalvosuojus. Jos tunnet vastusta poistaessasi kalvosuojusta katetrin, huuhtelee kalvosuojusta steriilillä keittosuolaliuoksella. Tarkasta katetri varmistaaksesi, ettätä ilma on poistettu lämmönvaihtokalvosta. Tarkasta, onko katetrissa vuotoja.
Huomio. Vältätä pinnoitetun katetrin liiallista pyyhkimistä. Vältätä katetrin pyyhkimistä kuivalla sideharsolla, sillä tämä voi vahingoittaa katetrin pinnoitetta. Vältätä alkoholin, antiseptisten liuosten ja muiden liuottimien käyttötä katetrin valmisteluun, sillä tämä voi muuttaa pinnoitetta odottamattomalla tavalla, mikä voi vaikuttaa laitteen turvallisuuteen ja toimintaan.
VAROITUS. Katetria ei saa leikata sen lyhentämiseksi.

Katetrin sisäänvienti

VAROITUS. Vie sisään ainoastaan reisilaskimon kautta.

- Muodosta yhteys reisilaskimoon tavanomaisia perkutaanisia menetelmiä käyttäen. Yhteyttä tulee pitää yllä 0,81 mm:n (0,032") ohjainlangan avulla. Katso kohta Ohjainlangan käyttöohjeet.
VAROITUS. Osaksi tai kokonaan katetrinaan pois vedettyä OTN-sisäänvientineulaa ei saa yrittätä työntätä takaisin.
Huomio. Katetrin kanssa ei saa käyttätä suurempaa ohjainlankaa kuin 0,81 mm (0,032").
- Pidätä ohjainlankaa paikallaan ja poista sisäänvientikatetri.
Huomio. Pidätä ohjainlangasta tiukasti kiinni koko ajan.
- Suurena ihon punktiokohta skalpellin leikkausterällä, joka on sijoitettu pois ohjainlangasta.
VAROITUS. Älä katkaise ohjainlankaa. Suurena kohtaa tarpeen mukaan käyttämällä suonenaajenninta. Suonenaajenninta ei saa jättätä paikalleen kestokatetrina, koska tämä voi aiheuttaa suonen seinämän puhkeamisvaaran.
- Pujota katetrin kärki ohjainlangan päälle. Pidätä ohjainlangasta riittävän tiukasti kiinni katetrin sisäänviennin aikana. Tartu katetrin kärkeen läheltä ihoa ja vie katetri laskimoon. Jatka katetrin eteenpäin kuljettamista ohjainlankaa pitkin pitäten sormiasi hieman pallon proksimaalipuolella.
- Vie katetri vähintään pienimmän merkinumeron kohdalle käyttämällä katetrin senttimetrimerkintöjä sijoittamisen apuna, jotta proksimaalinen infuusioportti on varmasti suonessa.
- Pidätä katetria halutussa syvyydessä ja poista ohjainlanka. Jos katetrin asetuksen jälkeen ohjainlankaa poistettaessa tuntuu vastusta, ohjainlanka on saattanut taistua katetrin kärjessä. Jos tuntuu vastusta, vedätä katetria takaisin noin 2–3 cm suhteessa ohjainlankaan ja yritätä poistaa ohjainlanka. Jos tuntuu yhä vastusta, poista ohjainlanka ja katetri samanaikaisesti.
Huomio. Ohjainlankaan ei saa kohdistaa kohtuutonta voimaa.
- Varmista, ettätä ohjainlanka on ehjätä, kun se on poistettu.
- Tarkasta katetrin sijainti kiinnittämällä ruisku distaaliseen infuusio-luer-liittimeen ja aspiroimalla, kunnes nähdätän, ettätä laskimoverta virtaa vapaasti. Liitätä infuusio-luer-liitin asianmukaiseen luer lock -letkuun tarpeen mukaan. Käyttämätön infuusioportti voidaan "lukita" injektiotulpalla sairaalan vakiokäytännön mukaisesti. Letkussa on liukupuristin, jolla infuusio-luer-liittimen virtaus voidaan sulkea letkun ja injektiotulpan vaihtojen ajaksi.
Huomio. Puristin täytyy avata ennen luer-liittimen kautta tapahtuvaa infuusiota, jotta letku ei vaurioituisi liiallisen paineen vuoksi.
Huomio. IN (SISÄÄN)- tai OUT (ULOS) -letkuja ei saa sulkea puristimella tai tukkia. Tämä voi tukkia letkun ja aiheuttaa mahdollisesti letkun pettämisen.
- Kiinnitätä ja sido sisäänvientikohta ja katetri väliaikaisesti.
- Varmista katetrin kärjen sijainti rintakehän röntgenkuvauksella välittömästi sijoittamisen jälkeen. Röntgentutkimuksen on osoitettava, ettätä katetri sijaitsee alaohtolaskimossa ja ettätä katetrin distaalipää on samansuuntaisesti onttolaskimon seinämän kanssa. Jos katetrin kärki on sijoittunut väärin, sijoita se uudelleen ja varmista sijainti.

- Proksimaalinen röntgenpositiivinen merkki osoittaa pallon proksimaalisen pään sijainnin. Varmista, ettätä pallo sijaitsee kokonaan suonessa. Jos katetri on sijoittunut väärin, sijoita se uudelleen ja varmista sijainti.
- Kiinnitätä katetri potilaaseen. Käytätä ommelkielekkeen sivusiivekkeitä ensisijaisina ompelukohtina katetrin siirtymisvaaran minimoimiseksi.
- ZOLL-ommelkielekettä ja -hakasta voidaan käyttätä lisäksi kiinnityskohtina. Varmista, ettätä katetrin varsi on tiukasti kiinni eikä liu'u.
Huomio. Käytätä vain sarjan mukana tullutta ZOLL-ommelkielekettä ja -hakasta. Jos käytätään muita kielekkeitä tai hakasia, katetri voi vahingoittua.
Huomio. Ompeleita ei saa kiinnitätä suoraan katetrin ulkopinnalle, jotta katetrin katkeamisen tai vaurioitumisen tai katetrin virtauksen estämisen riski minimoidaan.
- Sido punktiokohta sairaalan käytännön mukaisesti. Hoida sisäänvientikohta huolellisesti vaihtamalla side säännöllisesti aseptiikkaa noudattaen.
- Kirjaa potilaskertomukseen kestokatetrin pituus käyttämällä apuna katetrin varressa olevia senttimetrimerkkejätä. Katetrin paikoillaan pysyminen on varmistettava säännöllisin visuaalisin tarkastuksin.
- Liitätä esitätetty aloitussarja katetriin: Kiinnitätä aloitussarjan koiraspuolinen luer-liitin katetrin naaraspuoliseen IN (SISÄÄN) -luer-liittimeen (merkitty sanalla IN). Kiinnitätä aloitussarjan naaraspuolinen luer-liitin katetrin koiraspuoliseen OUT (ULOS) -luer-liittimeen (merkitty sanalla OUT). IN- ja OUT-jatkoletkuissa on löysästi kiinni valkoiset ZOLL-merkit niiden tunnistamisen helpottamiseksi.
Huomautus. Aloitussarjan IN (SISÄÄN)- ja OUT (ULOS) -luer-liittimet on tarkoitettu liitettäväksi vain katetrin IN (SISÄÄN)- ja OUT (ULOS) -luer-liittimiin. Niitätä ei ole tarkoitettu liitettäväksi vakiotyyppiisiin luer-lock-ruiskuihin. Niissä on ZOLLin omat liittimet, ja ne on helppo tunnistaa niiden oranssin värin perusteella.
- Varmista, ettätä luer-liittimien päissä on riittävästi steriilätä keittosuolaliuosta, jotta liitättään ei pääse ilmaa. Katso käyttöopasta.
VAROITUS. Jos aloitussarjaa ei liitetätä katetriin oikein, seurauksena voi olla katetrin toimintahäiriö. Aloitussarjan (oransseja) luer-liittimiätä ei saa liitättä sinisiin, valkoisiin tai ruskeisiin luer-liittimiin.
Huomio. Aloitussarjaa ei saa kiinnitätä distaaliporttiin.
- Huomio.** Letkuun ei saa asettaa hanoja, jotka saatetaan vahingossa sulkea. Tämä voi tukkia letkun ja aiheuttaa mahdollisesti letkun pettämisen.
- Pumpppaa keittosuolaliuosta aloitussarjan ja katetrin läpi varmistaaksesi, ettätä kaikki liitokset ovat pitävästi kiinni eikä vuotoja ole. Anna kaiken järjestelmässä mahdollisesti jäljellä olevan ilman tyhjentätä pois käyttöoppaassa kuvatulla tavalla.

Katetrin irrottaminen konsolista

- Pysätätä keittosuolaliuoksen kierto katetrin kautta.
- Irrota aloitussarja katetrinasta.
- Kiinnitätä ja sido luer-liittimet steriileinä, sulje välittömästi sekä katetrin että aloitussarjan luer-liittimet steriileillä luer-tulpilla tai liitätä IN (SISÄÄN)- ja OUT (ULOS) -luer-liittimet yhteen.

Katetrin kiinnittäminen takaisin konsoliin

- Poista luer-tulpat katetrin ja aloitussarjan luer-liittimistä. Hävitätä luer-tulpat tai irrota IN (SISÄÄN)- ja OUT (ULOS) -luer-liittimet toisistaan.
- Liitätä aloitussarja katetriin: Kiinnitätä aloitussarjan koiraspuolinen luer-liitin katetrin naaraspuoliseen IN (SISÄÄN) -luer-liittimeen. Kiinnitätä aloitussarjan naaraspuolinen luer-liitin katetrin koiraspuoliseen OUT (ULOS) -luer-liittimeen. Aloitussarjan ja katetrin IN (SISÄÄN)- ja OUT (ULOS) -luer-liittimet ovat oranssinvärisiätä. Varmista, ettätä luer-liittimien päissä on riittävästi steriilätä keittosuolaliuosta, jotta liitättään ei pääse ilmaa.
VAROITUS. Jos aloitussarjaa ei liitetätä katetriin oikein, seurauksena voi olla katetrin toimintahäiriö.
VAROITUS. Älä käytätä IN (SISÄÄN)- ja OUT (ULOS) -luer-liittimiätä tavanomaisina keskuslaskimokatetrin infuusioportteina. Ne on tarkoitettu vain Coolgard- tai Thermogard-konsoliin liittämistä varten. Aloitussarjan IN (SISÄÄN)- ja OUT (ULOS) -luer-liittimet on tarkoitettu liitettäväksi vain katetrin IN (SISÄÄN)- ja OUT (ULOS) -luer-liittimiin. Niissä on ZOLLin omat liittimet, ja ne on helppo tunnistaa niiden oranssin värin perusteella.
Huomio. Letkuun ei saa asettaa ylimääräisiätä hanoja, jotka saatetaan vahingossa sulkea. Tämä voi tukkia letkun ja aiheuttaa mahdollisesti letkun pettämisen.

Katetrin poistaminen

1. Pysäytä keittosuolaliuoksen pumppaus katetrin läpi.
2. Irrota aloitusarja katetrin. **Avaa katetrin IN (SISÄÄN)- ja OUT (ULOS) -luer-liittimien tulpat tai jätä ne auki.** Näin letkustoon jäljelle jäänyt keittosuolaliuos saadaan poistettua. Pallot puristuvat kokoon katetria pois vedettäessä. Palloissa olevan keittosuolaliuoksen on päästävä poistumaan pallosta, tai muuten pallo ei pysty puristumaan kokoon, mikä vaikeuttaa katetrin poistamista.
3. Vaihtoehtoisesti voit kiinnittää 20 tai 25 ml:n ruiskun katetrin IN (SISÄÄN) -luer-liittimeen. Vedä alipaine ja pidä sitä yllä 15 sekuntia, jotta jäljellä oleva keittosuolaliuos poistuu katetrin pallo-osasta ennen katetrin poistamista.
4. Aseta potilas selinmakuulle. Poista side. Poista ompeleet ommellusta kohdasta.
VAROITUS. Älä aseta luer-tulppaa OUT (ULOS) -luer-liittimeen.
5. Poista katetri hitaasti potilaasta. Kun katetri tulee ulos potilaasta, paina ulostulokohtaa ilmaa läpäisemättömällä siteellä (esim. vaseliiniharsotaitoksella).
VAROITUS. Katetria ei saa liikuttaa, jos tuntuu vastusta. Varmista, ETTEI jäädytyspiirin IN (SISÄÄN)- ja OUT (ULOS) -luer-liittimiä ole suljettu tulpilla. Jos ne on suljettu tulpilla, irrota tulpat, tyhjennä pallo ja yritä poistaa katetri uudelleen. Jos tunnet yhä vastusta, vastuksen syy tulee selvittää röntgenkuvauksen avulla.

Magneettikuvauksen turvallisuustiedot



Ehdollisesti turvallinen magneettikuvauksessa

Suonensisäinen Icy-lämmönvaihtokatetri on ehdollisesti turvallinen magneettikuvauksessa. Potilasta, jolla on tämä katetri, voidaan kuvata turvallisesti seuraavissa olosuhteissa. Näistä olosuhteista poikkeaminen voi aiheuttaa potilaalle vammaa.

Parametri	Olosuhde
Staattisen magneettikentän nimellisarvot (T)	1,5 T ja 3,0 T
Suurin spatiaalinen gradienttikenttä (T/m ja gauss/cm)	40 T/m (4 000 gauss/cm)
RF-eksitaation tyyppi	Ympyräpolarisoitunut (CP) (eli kvadratuurihjattu)
RF-lähetinkelan tiedot	Ei rajoituksia RF-lähetinkelalle. Näin ollen voidaan käyttää seuraavia: kehon RF-lähetinkela ja kaikki muut RF-kelajhdistelmät (kehon RF-kela yhdessä minkä tahansa vain vastaanottavan RF-kelan, pään RF-lähetin-/vastaanotinkelan, polven RF-lähetin-/vastaanotinkelan jne. kanssa).
Magneettikuvausjärjestelmän toimintatila	Normaali toimintatila
Suurin koko kehon keskimääräinen SAR-arvo	2 W/kg (normaali toimintatila)
Kuvauksen keston rajoitukset	Koko kehon keskimääräinen SAR-arvo 2 W/kg 60 minuutin yhtäjaksoisen radiotaajuusaltistuksen aikana (eli pulssisekvenssiä tai peräkkäisiä sekvenssejä/sarjoja kohden ilman taukoja)
Magneettikuvan artefaktit	Tämän implantin läsnäolo aiheuttaa kuvantamis- artefaktin. Pulssisekvenssiparametrit on sen vuoksi valittava huolellisesti, jos implanti sijaitsee kohdealueella.
VAROITUS	ZOLL Coolgard- ja Thermogard-konsolit eivät ole turvallisia magneettikuvauksessa, minkä vuoksi näitä konsoleja ei saa viedä magneettikuvaushuoneeseen. Tämän vuoksi katetri täytyy irrottaa konsolista ennen potilaan siirtämistä magneettikuvaushuoneeseen.

Ohjainlangan käyttöohjeet

Huomautus. Nämä tiedot koskevat ohjainlankojen käyttöä vain, kun katetri asetetaan suonistoon Seldingerin tekniikka käyttämällä.

Varoitukset

Mukana toimitettu ohjainlanka on tarkoitettu ainoastaan kertakäyttöiseksi. Sitä ei saa steriloida tai käyttää uudelleen. Sitä ei saa viedä takaisin potilaaseen potilaasta poistamisen jälkeen.

Jos sisäänviennin ja takaisin vetämisen aikana tuntuu vastusta, ohjainlangan liikuttamista ei saa jatkaa. Määritä vastuksen syy läpivalaisuilla ja ryhdy tarvittaviin toimiin.

Ole erityisen varovainen siirtäessäsi ohjainlankaa stentin läpi. Ohjainlangan käyttäminen stenttilisissä suonissa aiheuttaa lisävaaran potilaalle.

Huomautuksia

Vältä ohjainlangan vetämistä takaisin metallineulojen läpi, sillä ohjainlanka voi leikkautua.

Koska ohjainlangat ovat herkkiä ja helposti särkyviä, niitä on käsiteltävä erityisen varovasti. Vältä taipumista tai taittumista. Vioittuneita ohjainlankoja ei saa käyttää.

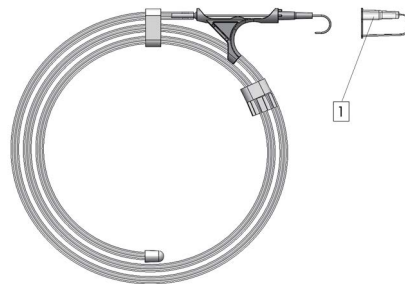
Vältä ohjainlangan kiertämistä säilytyksen tai toimenpiteiden aikana läpimitaltaan 20,32 cm:ä (8") pienemmälle kiepille, sillä tämä voi kohdistaa ohjainlankaan tarpeetonta rasitusta ja ohjainlanka saattaa taittua. Mukana toimitettu kelapakkkaus on paras tapa säilyttää ja käsitellä ohjainlankaa.

Ohjainlankaa täytyy olla näkyvillä riittävästi, jotta siitä voidaan pitää tiukasti kiinni koko ajan.

Kelapakkkaus

Jokainen ohjainlanka toimitetaan Tyvek-pussin sisällä olevassa kelapakkauksessa. Ota ohjainlanka pois Tyvek-pussista. Poista ohjainlangan suojatulppa välittömästi ennen ohjainlangan käyttöä. Valmistele ohjainlanka ennen sisäänvientä. On suositeltavaa, että kelapakkkaus täytetään heparinoidulla liuoksella (esim. keittosuolaliuoksella tai dekstroosilla) ohjainlangan kastelemiseksi sisäänviennin aikana.

Valmiiksi muotoiltu J-ohjainlanka palautuu muotoonsa, kun se poistetaan kelapakkauksesta.



1. Ohjainlangan suojatulppa

Tarkastus

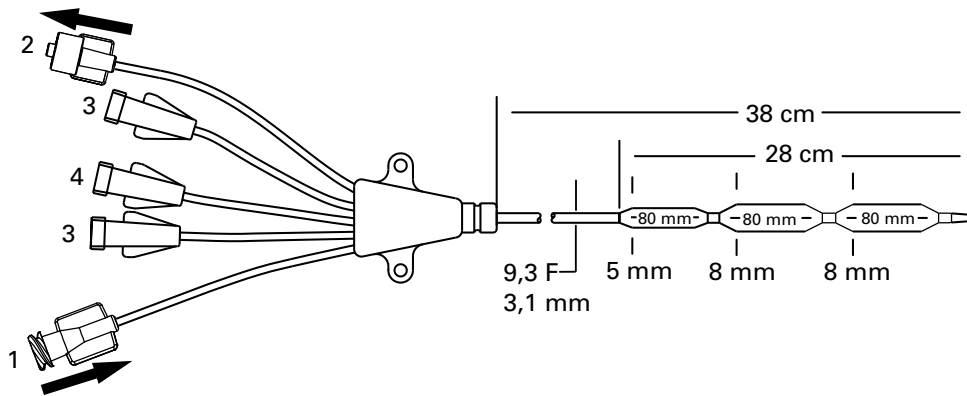
Tarkasta ohjainlanka ennen käyttöä ja hävitä se, jos siinä on minkäänlaisia epämuodostumia. Ohjainlangan sijoittamista on tarkkailtava säännöllisesti röntgenkuvauksen tai läpivalaisuun avulla.

Tekniikka

1. Puhkaise suoni.
2. Työnnä ohjainlanka neulan kantaan ja vie varovasti ohjainlankaa puhkaistun suonen sisään 5–10 cm:n verran. Ohjaa ohjainlanka haluttuun kohtaan.
Huomio. Vältä ohjainlangan kovakouraista tai liian voimakasta käsittelyä, jotta et vioita ohjainlankaa tai suonta.
3. Poista neula ohjainlangasta.
4. Laajenna kudosta ja suonta laajentimella kevyesti kiertämällä.
5. Poista laajennin (vain verisuonten laajentamiseen tarkoitettu suonenlaajennin).
6. Vie katetri sisään ohjainlankaa pitkin.
7. Poista ohjainlanka.

Icy-katetri

1. IN (SISÄÄN) -luer-liitin
2. OUT (ULOS) -luer-liitin
3. Infuusioportit
4. Distaalinen luer-liitin



©2024 ZOLL Medical Corporation. Kaikki oikeudet pidätetään. ZOLL ja Icy ovat ZOLL Medical Corporation- ja/tai ZOLL Circulation, Inc. -yhtiön tavaramerkkejä tai rekisteröityjä tavaramerkkejä Yhdysvalloissa ja/tai muissa maissa. Kaikki tavaramerkit ovat vastaavien omistajiensa omaisuutta.

Patentti: www.zoll.com/patents

Dansk (da)

Model IC-3893AE/8700-0782-40 og IC-3893CO/8700-0782-14

Sæt med Icy® intravaskulært varmeudvekslingskateter omfatter:

Antal	Beskrivelse
1 AE(CO)	Icy intravaskulært varmeudvekslingskateter 9,3 French x 38 cm Tredobbelt infusions-Luer Klemmer til forlængerslange Røntgenfast skaft Applause-heparincoated
1 AE(CO)	Guidewire 0,032" (0,81 mm) x 75 cm
1 AE(CO)	Kardilator 10,5 F x 0,038" (3,6 mm x 1,0 mm)
1 AE(CO)	Aftagelig suturtap og -clips
1 AE	18 ga x 2½" (1,3 mm x 63 mm) røntgenfast OTN-kateter
1 AE	5 ml sprøjte og 22 ga x 1½" (0,7 mm x 38 mm) nål
1 AE	Fenestreret afdækning
1 AE	18 ga x 2¾" (1,3 mm x 70 mm) nål
6 AE	4" x 4" (10 cm x 10 cm) gazeservietter
1 AE	000 silkesutur
1 AE	Nr. 11 kirurgisk blad med langt håndtag

Bemærk – Sætkomponenter efter model

Hver basismodel fås enten med et understøttende standardindførings sæt (AE) eller uden understøttende standardindførings sæt (CO). De komponenter, der er fælles for begge sæt, er mærket AE(CO) i ovenstående tabel. De ekstra komponenter, der kun findes i standardsættet, er mærket AE.

Beskrivelse af instrumentet

Icy intravaskulært varmeudvekslingskateter ("Icy-kateter" eller "kateter") er et sterilt, fleksibelt 9,3 F kateter til engangsbrug, der er beregnet til anlæggelse i vena cava inferior via et indføringssted i vena femoralis. Icy-kateteret skal sluttes til et ZOLL® Start-Up Kit til engangsbrug og Coolgard® eller Thermogard® konsolserien ("konsol") (alt leveres separat). Der skal anvendes en dilator og en guidewire til perkutan indføring af Icy-kateteret. Der er tre tilgængelige Luere til infusion og prøvetagning.

Infusionsport	Flowhastighed	Primingvolumen
Distal (brun)	1700 ml/t	0,5 ml
Medial (hvid)	900 ml/t	0,4 ml
Proksimal (blå)	1200 ml/t	0,4 ml

Kateterets blodkontaktoverflader (spids, ballon og skaft) er coated med antitrombotisk Applause-heparin.

Sterilitet

Steriliseret med ethylenoxid. Kateteret leveres sterilt kun til engangsbrug og må ikke resteriliseres. Pakken skal efterses inden brug for at sikre, at steriliteten ikke er blevet kompromitteret.

Opbevaring

Opbevares køligt og tørt. Undgå frysning og for høj varme.

Beregnet anvendelse

Icy-kateteret i kombination med Coolgard- eller Thermogardsystemet giver mulighed for cirkulation af temperaturreguleret saltvand gennem en varmeveksler for at afkøle/genopvarme blodet i patienter, hvor risici i forbindelse med anlæggelse af et centralt venekateter indikerer det. Maks. brugstid: 4 dage.

Kontraindikationer

- Risici for kateteret er stort set de samme som for et centralt venekateter. Kateteret bør ikke anvendes til patienter, hos hvem anlæggelse af et centralt venekateter ikke er indiceret.
- Blødningsdiatese.
- Aktiv sepsis.
- Infektion eller aktiv blødning på kateterindføringsstedet.
- Hos patienter, hvor vaskulær adgang ikke er mulig, eller hos patienter med et vaskulært system, der ikke kan tilpasses kateteret, herunder patienter med vena cava-filtre eller andre implanterede hindringer for passage af kateteret.
- Patienter, hvor den påkrævede temperaturmonitoring ikke kan etableres.
- Hypotermi er kontraindiceret hos patienter med hæmatologiske sygdomme, der vil blive værre med hypotermi (f.eks. sygdomme, der producerer kryoglobulinæmi, hæmoglobinopati, hvor hæmolytisk anæmi kan blive fremkaldt med kulde, inklusive seglcelleanæmi eller thalassæmi).
- Ikke beregnet til pædiatrisk eller neonatal brug.

Advarsler, forholdsregler, bivirkninger

Anlæggelse af centralt venekateter må kun foretages af personale med passende uddannelse og omfattende erfaring med anatomiske landemærker og sikkerhedsteknikker. Personalet bør desuden have kendskab til potentielle komplikationer.

ADVARSEL

Kateteret må kun anlægges via vena femoralis. Kateteret må ikke anlægges i højre atrium eller højre ventrikel. Anlæggelse i højre atrium eller højre ventrikel kan resultere i alvorlig patientskade eller død.

Kun til engangsbrug. Produktet er kun beregnet til engangsbrug. Det må ikke resteriliseres eller genbruges. Det må ikke genindføres, når først det er fjernet fra patienten. Kateteret må ikke ændres på nogen måde.

Potentielle risici forbundet med genbrug af engangsudstyr omfatter, men er ikke begrænset til:

- potentielt livsfarlig infektion
- toksisk shock pga. nedbrydning af materialerne
- øget risiko for trombose
- reduceret varmeudvekslingseffekt
- udstyrsfejl

ADVARSEL. Der kan potentielt opstå en fejltilslutning mellem Icy-kateteret og Start-Up Kit og andet udstyr med tilslutninger med lille diameter. Sådanne tilslutningsfejl kan medføre patientskade eller død.

Forsigtig. De specialtilpassede Luere, der sidder på kateteret og Start-Up Kit, kan reducere risikoen for fejltilslutninger, men der kan stadig være mulighed for fejltilslutninger med anvendelse af følgende specifikke medicinske udstyr: Anvendelser med respirationssystemer og drivgasser, enterale og gastriske anvendelser, uretrale og urinvejsanvendelser, anvendelser ved oppustning af ekstremitetsmanchetter, neuraksiale anvendelser og intravaskulære eller hypodermiske anvendelser. Udvis altid forsigtighed ved tilslutning af ZOLL-katetre og Start-Up Kits til ovenstående medicinsk udstyr og andet medicinsk udstyr.

Forsigtig. Sørg for, at Icy-kateteret og/eller Start-Up Kit ikke er tilsluttet et intravenøst drup eller andet medicinsk udstyr.

- Kateteret bør placeres, således at kateterets distale spids er i vena cava inferior under overgangen til højre atrium og parallelt med karvæggen. Det skal sikres med røntgenundersøgelse, at kateteret ikke er i højre atrium eller ventrikel.
- Forsigtig.** Hvis der observeres blod i saltvandskredsløbet, afbrydes proceduren, og det undersøges, om der er en kateterlækage.
- Mulige komplikationer med centrale venekatetre omfatter: atrie- eller ventrikelperforation, hjertetamponade, luftemboli, kateterembolisme, laceration af ductus thoracicus, bakterieæmi, septikæmi, trombose, utilsigtet arteriepunktur, hæmatomdannelse, blødning, nerveskade og dysrytmier.
- Alle Luer-Lock-forbindelser og tildækninger skal være sikkert tillukkede for at forhindre luftemboli eller væske- eller blodtab.
- Undgå at bruge overdreven kraft til at flytte kateteret eller guidewiren. Hvis der mærkes modstand, skal der anvendes røntgen til at identificere årsagen til modstand.
- Passage af guidewiren ind i højre side af hjertet kan forårsage dysrytmier, blokering af crus dextrum fasciculi atrioventricularis, karvæg-, atrie- eller ventrikelperforation.

- Brug kun sterilt, fysiologisk saltvand til priming af kateteret. Det er den cirkulerende væske i kateteret.
- Efterse kateteret regelmæssigt for at bekræfte flowhastigheden, at forbindingen sidder sikkert, at kateteret er placeret korrekt, og at Luer-Lock-forbindelserne er sikre. Brug centimeter-markeringerne til at identificere, hvorvidt kateterets position er ændret. En potentiel risiko forbundet med multi-lumen ballonkatetre er manglende behandling, herunder manglende infusion af lægemidler gennem infusionslumenerne.
- Kun en røntgenundersøgelse kan sikre, at kateterspidsen ikke er trængt ind i hjertet eller ikke længere ligger parallelt med karvæggen. Hvis kateterets position er ændret, skal der tages et røntgenbillede for at bekræfte kateterspidsens position.
- Ved blodprøvetagning skal de resterende infusionsporte, hvorigennem der infunderes opløsninger, afspærres midlertidigt.
- Brug kun en sprøjte på 30 ml eller mindre til blodprøvetagning.
- Alkohol og acetone kan svække strukturen af skaftmaterialet. Der bør udvises forsigtighed ved infusion af lægemidler, der indeholder alkohol, eller hvis der anvendes alkohol eller acetone ved rutinemæssig kateterpleje og -vedligeholdelse. Der bør ikke anvendes alkohol til at fjerne koagler fra kateteret.
- For at forhindre kateterskade må kun den ZOLL-suturtag og -clips, der følger med sættet, anvendes.
- Brug af en sprøjte, der er mindre end 10 ml, til at gennemskylle eller fjerne koagler fra et okkluderet kateter kan forårsage intraluminal lækage eller katetersprængning.
- Der må ikke infunderes ind i de orange IN- og OUT-Luer-Lock-forbindelser, da det vil resultere i manglende behandling.
- Feber kan have infektiøse og/eller ikke-infektiøse årsager hos patienter. Reduktion af feber, som er tegn på en evt. infektion, nødvendiggør omhyggelig daglig undersøgelse for andre tegn på infektion.
- Vær forsigtig ved infusion af lægemidler, der kan være påvirket af kolde temperaturer (så lave som 4 °C). Opløsninger, der indeholder mannitol, er temperaturfølsomme og må kun indgives gennem kateteret ved brug af et rapid-push af en opløsning på op til 20 % mannitol efterfulgt af en gennemskylning med saltvand. En opløsning med en koncentration på mere end 20 % mannitol eller indgivelse af mannitol via drop eller infusionspumpe skal udføres via en separat slange.
- Hjertetamponade: Anlæggelse af katetre à demeure i højre atrium kan føre til hjerteperforation og -tamponade. Læger, som anlægger centrale venekatetre, bør være opmærksomme på denne potentielt fatale komplikation, inden kateteret føres for langt frem i forhold til patientens størrelse. Den aktuelle placering af spidsen af et kateter à demeure skal bekræftes vha. røntgen efter indføring. Centrale venekatetre må ikke anlægges i højre atrium, medmindre det er specifikt påkrævet for særlige relativt kortvarige indgreb, som f.eks. aspiration af luftemboli under hjerneoperation. Sådanne indgreb er ikke desto mindre risikable og bør monitoreres og kontrolleres nøje.
- Kateteret er coated med heparin. Dette kan fremme eller forværre allerede eksisterende heparininduceret trombocytopeni (HIT).
- ADVARSEL.** Undgå at overskride 100 psi/689 kPa ved tilslutning af infusionsæt/injektionssystemer til kateteret.
- For patienter, der gøres hypertermiske, kan selve hypotermien forværre visse sygdomstilstande. Der skal udvises forsigtighed med at monitorere patienthæmostase korrekt under hypotermi.
 - Hjerterytmeforstyrrelser – både bradykardi og ventrikulær takyarytmi.
 - Størknings- og koagulationsfunktion. Patienter med risiko for forstyrrelser af deres størknings- og koagulationsfunktion bør monitoreres nøje under hypotermi.
 - Blodgas- og pH-analyse. Hypotermi ændrer hvilende pH og PaCO₂. Læger bør være opmærksomme på effekten af temperatur på resultatet.
 - Langvarig hypotermi svækker immunrespons og lungefunktion.

ADVARSEL. Intraluminal lækage eller ballonlækage. Intraluminal lækage (mellem saltvandslumenerne og infusionslumener) eller ballonlækage er en potentiel kateterfejltilstand. I tilfælde af en sådan fejl introduceres sterilt saltvand fra kølekredsløbet til patienten. Intraluminal lækage eller ballonlækage er typisk forbundet med en væsketabsalarm, når saltvandsposen er blevet tømt og stopper systemet. **Undersøg altid væskenniveaularmen.** Kølekredsløbet er et lukket kredsløb – væsketabsalarmer angiver normalt et brud et eller andet sted i det lukkede kredsløb. I forbindelse med en væsketabsalarm skal både integriteten af kateter og Start-Up Kit (se nedenfor) kontrolleres.

ADVARSEL. Hvis du bemærker en tømt saltvandspose eller en luftudskilleralarm, må du ikke udskifte saltvandsposen før identificering af lækagestedet og udførelse af de rette afhjælpninger. Undersøg for systemlækager i henhold til instruktionerne i de nedenstående afsnit Undersøg for en Start-Up Kit-lækage og Undersøg for en kateterlækage. (Bemærk, at en lækage kan være ekstern eller intern).

Udskiftning af saltvandsposen gentagne gange uden at undersøge lækagen eller saltvandstabet kan resultere i utilsigtet infusion af saltvand i patienten. Saltvandsinfusion kan føre til følgende bivirkninger: lokal hævelse, der kan forårsage efterfølgende lokale vævsskader; systemisk væskeoverbelastning, der kan føre til deklive ødemer og deraf følgende hudnedbrydning; væskeoverbelastning af de indre organer med deraf følgende overbelastning af hjerte, lunger eller hjerte. I visse tilfælde kan denne væskeoverbelastning føre til livstruende hændelser.

Forsigtig. Konsollen udsender en alarm, når saltvandsposen er tom. Posen skal være helt tom, og yderligere saltvand mellem saltvandsspiden og luftudskilleren skal være udtømt, for at saltvandsniveauet i luftudskilleren kan falde tilstrækkeligt til at udløse alarmen.

Undersøg for en Start-Up Kit-lækage

- Undersøg luftudskilleren for kondens. Hvis luftudskilleren viser tegn på kondens, skal den aftørres og geninstalleres i konsollen. Hvis der udløses en luftudskilleralarm, skal det verificeres, at luftudskillerarmen er slettet efter dette trin.
- Undersøg omhyggeligt, om der er lækager i saltvandsbanen fra saltvandsposen til konsollen. Undersøg, om der er saltvand på gulvet, på konsollen eller i patientens seng.
- Hvis der er saltvand på gulvet, på konsollen eller i patientens seng, skal det kontrolleres, at Luer-forbindelserne på kateter og Start-Up Kit ikke er revnede eller beskadigede, og at forbindelserne er tætte nok til at forhindre lækager.
- Hvis du finder en lækage i Start-Up Kit, skal du udskifte det, og undersøge, om der også er en lækage i kateteret.
- Hvis du ikke finder en lækage i Start-Up Kit, er der sandsynligvis en lækage i kateteret. Undersøg videre.

Undersøg for en kateterlækage

- Kobl Start-Up Kit fra kateteret. Sæt hætte på både kateteret og Start-Up Kit på korrekt vis med aseptisk teknik.
- Fyld en steril 10 ml slip tip-sprøjte med sterilt saltvand.
- Forbind sprøjten med kateterets IN-Luer, og frakobl OUT-hætten. Infunder 10 ml saltvand – saltvandet skal strømme ud af OUT-Lueren. Hvis saltvandet ikke strømmer ud af OUT-Lueren, indikerer det en kateterlækage.
- Sæt hætte på OUT-Lueren, og træk 5 ml vakuum. Hold det i mindst 10 sekunder. Der skal løbe op til 4 ml saltvand (ikke blod) over i sprøjten, og du skal kunne opretholde vakuum. Hvis der ses spor af blod i sprøjten, eller der ikke kan opretholdes vakuum, indikerer det en kateterlækage.
- Hvis du finder en lækage i kateteret, skal det udskiftes.
- Udskift saltvandsposen, og prim Start-Up Kit igen.
- Sørg for, at Luer-tilslutningerne til Start-Up Kit er lækagetætte, og fortsæt behandlingen.

Nødvendige materialer

Antal	Beskrivelse
1	Icy-katetersæt til perkutan indføring
1	500 ml pose med sterilt normalt saltvand (ikke vedlagt)
	Start-Up Kit (leveres separat)
1	<ul style="list-style-type: none"> 6 fod (183 cm) standardslange eller 9 fod (274 cm) forlænget slange
1	Coolgard- eller Thermogard-konsol (leveres separat)
1	Sæt med hjælpemidler til kateter [kun til (CO)]
1	YSI-400-temperatursonde (ikke vedlagt)

Kateterklargøring og -indføring

Bemærk. Kateteret har et røntgenfast markørbånd for at hjælpe ved identifikation af kateteret under og efter indføring, når det visualiseres vha. røntgenudstyr. Den proksimale ende af den proksimale ballon har ét markørbånd. Spidsen af kateteret indeholder bariumsulfat for at gøre den røntgenfast.

Anvend steril teknik.

Forsigtig. IN- og OUT-Luer-Locks på dette kateter er specialfremstillede og kun beregnet til tilslutning til det Start-Up Kit, der er angivet under Nødvendige materialer.

Klargøring af kateteret

1. Anbring patienten i rygleje.
2. Klargør og afdæk punkturstedet efter behov.
3. Tag forsigtigt kateteret ud af pakningen, således at kateterets tildækning bliver siddende på.
4. Tag hæfterne af IN- og OUT-Luerne. Lad katetertildækningen blive på plads, fyld sprøjten (5 ml eller større) med sterilt saltvand, og sæt sprøjten på IN-hun-Lueren.

ADVARSEL. Injicer ikke positivt tryk i IN-Lueren med OUT-Luer-hætten påsat.

5. Injicer forsigtigt saltvand gennem kateteret, indtil det begynder at komme ud af OUT-Lueren.
6. Brug en 5 ml eller større sprøjte til at gennemskylle de distale, proksimale og mediale infusions-Luere med sterilt saltvand. Afklem eller påsæt injektionshætter på de proksimale og mediale infusions-Luere. Lad den distale Luer være uden hætte for indføring af guidewire.

Forsigtig. Prim altid kateterinfusions-Luere inden indføring af kateteret i patienten.

7. Fjern kateterets tildækning. Skyl tildækningen med sterilt saltvand, hvis der er modstand ved fjernelse af tildækningen fra kateteret. Inspicer kateteret for at sikre, at luften er blevet fjernet fra varmeudvekslings-membranen. Efterse kateteret for lækager.

Forsigtig. Undgå overdreven aftørring af det coatede kateter. Undgå aftørring af kateteret med tør gaze, da det kan beskadige katetercoatingen. Undgå at bruge alkohol, antiseptiske opløsninger eller andre solventer til at behandle kateteret forud for brug, da det kan medføre uforudsigelige ændringer i coatingen, hvilket kan påvirke udstyrets sikkerhed og ydeevne.

ADVARSEL. Tilklip ikke kateteret for at ændre længden.

Indføring af kateteret

ADVARSEL. Tag kun adgang via vena femoralis.

1. Skaft adgang via vena femoralis ved brug af perkutane standardteknikker. Adgangen skal opretholdes med en 0,032" (0,81 mm) guidewire. Se Brugsanvisning til guidewire.

ADVARSEL. Forsøg ikke at genindføre en OTN-introducerkanyle (over the needle), der er delvist eller fuldstændigt trukket tilbage, fra kateteret.

Forsigtig. Brug ikke en guidewire, der er større end 0,032" (0,81 mm) med kateteret.

2. Hold guidewiren på plads, og fjern introducerkateteret.
Forsigtig. Bevar hele tiden et fast greb på guidewiren.
3. Forstør det kutane punktursted, mens skalpellens skærekant holdes væk fra guidewiren.
ADVARSEL. Undgå at snitte i guidewiren. Brug kardilatoren til at forstørre stedet efter behov. For at minimere risikoen for mulig perforering af karvæggen må kardilatoren ikke efterlades som et kateter à demeure.
4. Skru spidsen af kateteret over guidewiren. Bevar et tilstrækkeligt fast greb på guidewiren under kateterindføring. Hold fast i kateterspidsen nær huden, og før kateteret ind i venen. Fortsæt med at fremføre kateteret over guidewiren med fingrene placeret lige proksimalt for ballonen.
5. Ved hjælp af centimetermarkeringerne på kateteret som referencepunkter for placering fremføres kateteret til det mindste mærkenummer for at sikre, at den proksimale infusionsport er inde i karret.
6. Hold kateteret ved den ønskede dybde, og fjern guidewiren. Hvis der mærkes modstand, når der gøres forsøg på at fjerne guidewiren efter kateteranlæggelse, slår guidewiren måske knæk ved kateterspidsen. Hvis der mærkes modstand, skal kateteret trækkes cirka 2-3 cm ud i forhold til guidewiren, og guidewiren forsøges fjernet. Hvis der mærkes modstand igen, fjernes guidewiren og kateteret samtidig.
Forsigtig. Anvend ikke unødvendig kraft på guidewiren.
7. Bekræft, at kateteret er intakt ved fjernelse.

8. Kontroller kateterets placering ved at fastgøre en sprøjte på den distale infusions-Luer, og aspirer, indtil der konstateres frit flow af venøst blod. Forbind infusions-Lueren med den passende Luer-Lock-slange efter behov. Den ubrugte infusionsport kan låses via injektionshætten ved brug af standardhospitalsprotokol. Der sidder en glideklemme på slangen, som skal bruges til at okkludere flow gennem infusions-Lueren under udskiftning af slange- og injektionshætte.

Forsigtig. Klemmen skal åbnes inden infusion gennem Lueren for at minimere risikoen for at beskadige slangen pga. voldsomt tryk.

Forsigtig. Afklem eller okkluder ikke IN- eller OUT-slangerne. Dette kan forårsage blokering af slangen og mulig fejlfunktion.

9. Fastgør kateteret ved at forbinde indføringsstedet og kateteret midlertidigt.
10. Bekræft kateterspidsens position vha. røntgen umiddelbart efter anlæggelse. Røntgenundersøgelse skal vise, at kateteret er placeret i VCI med den distale ende af kateteret parallel med væggen af vena cava. Hvis kateterspidsen er placeret forkert, skal den omplaceres, og placering skal bekræftes igen.
11. Den proksimale røntgenfaste mærkør angiver ballonens proksimale ende. Sørg for, at ballonen er helt inde i karret. Hvis kateteret er placeret forkert, skal det omplaceres, og placeringen skal bekræftes igen.
12. Fikser kateteret på patienten. Brug suturtappens sidevinger som det primære sutursted for at minimere risikoen for katetermigration.
13. ZOLL-suturtappen og -clipsen kan også bruges som et ekstra fastgøringspunkt. Sørg for, at kateteret sidder sikkert og ikke kan glide.
Forsigtig. Brug kun ZOLL-suturtappen og -clipsen, som følger med sættet. Hvis der anvendes andre tapper eller clips, kan det føre til kateterskade.

Forsigtig. For at minimere risikoen for at snitte i eller beskadige kateteret eller det forestående flow, må der ikke sutureres direkte til kateterets udvendige diameter.

14. Forbind punkturstedet iflg. hospitalsprotokol. Vedligehold indføringsstedet med omhyggelig genforbinding ved brug af aseptisk teknik.
15. Noter i patientjournalen længden på kateteret à demeure, idet centimetermarkeringerne på kateterskaftet anvendes som reference. Kateteret bør hyppigt genevalueres visuelt for at sikre, at det ikke har flyttet sig.
16. Sæt et primet Start-Up Kit på kateteret: Forbind han-Lueren på Start-Up Kit med IN-hun-Lueren på kateteret (mærket "IN"). Forbind hun-Lueren på Start-Up Kit med OUT-han-Lueren på kateteret (mærket "OUT"). Hvide "ZOLL"-etiketter er løst påsat IN- og OUT-forlængerslangerne for at hjælpe med at identificere dem.
Bemærk. IN og OUT-Luere på Start-Up Kit er kun beregnet til tilslutning til kateterets IN- og OUT-Luere og er ikke beregnet til tilslutning til Luer-Lock-standard sprøjter. De har specialtilpassede ZOLL-fittings og er orangefarvede, så de let kan identificeres.
17. Sørg for, at der er en tilstrækkelig mængde sterilt saltvand i enden af Luere til at danne en luftfri forbindelse. Se brugervejledningen.
ADVARSEL. Hvis ikke Start-Up Kit sluttes korrekt til kateteret, kan det resultere i kateterfejll. De (orange) Luere på Start-Up Kit må ikke forbindes med de blå, hvide eller brune Luere.

Forsigtig. Start-Up Kit må ikke forbindes med den distale port.

Forsigtig. Undgå at anbringe stophaner på slangen, som kan afspærres ved et uheld. Dette kan forårsage blokering af slangen og mulig fejlfunktion.

18. Pump saltvand gennem Start-Up Kit og kateteret for at sikre, at alle forbindelser er sikre, og at der ikke findes lækager. Lad resterende luft i systemet blive fjernet som beskrevet i brugervejledningen.

Sådan fjernes kateteret fra konsollen

1. Stands cirkulation af saltvand gennem kateteret.
2. Kobl Start-Up Kit fra kateteret.
3. Sæt øjeblikkeligt hætte på Luer-forbindelserne på både kateteret og Start-Up Kit vha. sterile Luer-hætter, eller forbind IN- og OUT-Luere indbyrdes for at bevare sterile forbindelser.

Sådan slutes kateteret til konsollen igen

1. Fjern Luer-hætterne fra Luer-forbindelserne på kateter og Start-Up Kit. Bortskaf Luer-hætterne eller kobl IN- og OUT-Luere fra hinanden.
2. Sæt Start-Up Kit på kateteret. Forbind han-Luere på Start-Up Kit med IN-han-Luere på kateteret. Forbind hun-Luere på Start-Up Kit med OUT-han-Luere på kateteret. IN- og OUT-Luere på Start-Up Kit og kateter er orangefarvede. Sørg for, at der er en tilstrækkelig mængde sterilt saltvand i enden af Luere til at danne en luftfri forbindelse.

ADVARSEL. Hvis ikke Start-Up Kit slutes korrekt til kateteret, kan det resultere i kateterfejl.

ADVARSEL. IN- og OUT-Luer-fittings må ikke bruges til standard-infusionsporte på et centralt venekateter. De er udelukkende beregnet til tilslutning til Coolgard-/Thermogard-konsollen. IN- og OUT-Luere på Start-Up Kit er kun beregnet til tilslutning til kateterets IN- og OUT-Luere. De har specialtilpassede ZOLL-fittings og er orangefarvede, så de let kan identificeres.

Forsigtig. Undgå at anbringe ekstra stophaner på slangen, som kan afspærres ved et uheld. Dette kan forårsage blokering af slangen og mulig fejlfunktion.

Sådan fjernes kateteret

1. Stands al pumpning af saltvand gennem kateteret.
2. Kobl Start-Up Kit fra kateteret. **Tag hættten af kateterets IN- og OUT-Luere, eller lad dem være uden hætte.** Dette gør det muligt at presse resterende saltvand i kredsløbet ud. Ballonerne komprimeres, efterhånden som kateteret trækkes ud. Saltvand i ballonen skal kunne passere ud af ballonen, da ballonen ellers ikke vil kunne tømmes. Dette gør det svært at fjerne kateteret.
3. Sæt eventuelt en 20 eller 25 ml sprøjte på kateterets IN-Luer. Træk og oprethold vakuum i 15 sekunder for at lade resterende saltvand blive fjernet fra kateterets ballondel, inden kateteret fjernes.
4. Anbring patienten i rygleje. Fjern forbindingen. Fjern suturer fra suturstedet. **ADVARSEL.** Sæt ikke en Luer-hætte på OUT-Luere.
5. Fjern forsigtigt kateteret fra patienten. Påfør tryk med en forbinding, der ikke kan gennemtrænges af luft, f.eks. gaze med vaseline, efterhånden som kateteret kommer ud.

ADVARSEL. Fjern ikke kateteret, hvis der mærkes modstand. Kontroller for a sikre, at IN- og OUT-Luere i kølekredsløbet IKKE har en hætte påsat. Hvis der er hætte påsat, skal hættene fjernes, hvorefter det igen skal forsøges at fjerne kateteret. Hvis der fortsat mærkes modstand, skal der anvendes røntgen til at identificere årsagen til modstand.

Oplysninger om MR-sikkerhed



Icy intravaskulært varmeudvekslingskateter er MR-betinget. En patient med dette kateter kan scannes sikkert under følgende betingelser. Manglende overholdelse af disse betingelser kan resultere i, at patienten kommer til skade.

Parameter	Tilstand
Nominelle værdier for statisk magnetfelt (T)	1,5 T og 3,0 T
Maksimalt rumligt gradientfelt (T/m og gauss/cm)	40 T/m (4.000 gauss/cm)
RF-ekscitationstype	Cirkulært polariseret (CP) (dvs. kvadraturdrejet)
Information om RF-senderspøler	Der er ingen begrænsninger for RF-spøler i sendetilstand. I overensstemmelse hermed kan følgende anvendes: RF-kropsspøle i sendetilstand og alle andre RF-spølekompositioner (dvs. RF-kropsspøle kombineret med en RF-spøle, der kun kan modtage, RF-hovedspøle i sende-/modtagetilstand, RF-knæsøle i sende-/modtagetilstand osv.)
Driftstilstand for MR-system	Normal driftstilstand
Maksimal gennemsnitlig helkrops-SAR	2 W/kg (normal driftstilstand)
Grænser for scanningsvarighed	Gennemsnitlig helkrops-SAR på 2 W/kg under 60 minutters kontinuerlig RF-eksponering (dvs. impulssekvens eller ryg til ryg-sekvenser/serier uden pauser)
MR-billedartefakt	Tilstedeværelsen af dette implantat genererer billedartefakter. Vælg derfor omhyggeligt parametre for impulssekvenser, hvis implantatet sidder i interesseområdet.
ADVARSEL	ZOLL Coolgard- og Thermogard-konsollerne er ikke MR-sikre, og disse konsoller er derfor ikke tilladt i MR-systemrummet. Derfor skal kateteret være koblet fra konsollen, før patienten flyttes ind i MR-systemrummet.

Brugsanvisning til guidewire

Bemærk. Disse oplysninger gælder kun for brug af guidewirer vha. Seldingerteknikken til anlæggelse af et kateter i vaskulaturen.

Advarsler

Den vedlagte guidewire er udelukkende beregnet til engangsbrug. Den må ikke resteriliseres eller genbruges. Den må ikke genindføres, når først den er fjernet fra patienten.

Fortsæt ikke med at fremføre guidewiren, hvis der mærkes modstand under indføring eller udtagning. Fastslå årsagen ved brug af fluoroskopi, og grip ind efter behov.

Vær yderst forsigtig, når en guidewire føres gennem en stent. Brug af en guidewire i kar med stent giver anledning til yderligere patientrisici.

Forsigtig

Undgå at trække en guidewire ud gennem metalkanyler, da guidewiren kan blive klippet over.

Da guidewirer er sarte og skrøbelige, er det vigtigt at udvise ekstra forsigtighed ved håndtering. Undgå bøjning eller knækdannelse. Anvend ikke beskadigede guidewirer.

Undgå at rulle guidewiren sammen i diametre på mindre end 8 tommer (20,32 cm) under opbevaring eller procedurer, da mindre diametre belaster guidewiren unødvendigt og kan forårsage knækdannelse. Den medfølgende dispenser er den bedste opbevarings- og håndteringsmåde for guidewiren.

Der skal hele tiden være tilstrækkelig blottet guidewire for at opretholde et fast greb på guidewiren.

Dispenser

Hver guidewire leveres i en dispenserpakke i en Tyvek-pose. Tag guidewiren ud af Tyvek-posen. Tag beskyttelseshætten af guidewiren, umiddelbart før guidewiren tages i brug. Klargør guidewiren inden indføring. Det anbefales, at dispenseren fyldes med hepariniserede opløsninger (f.eks. saltvand eller dextrose) for at skylle guidewiren under indføring.

Den præformede "J"-guidewire genoptager sin facon, når den fjernes fra produktdispenseren.



1. Beskyttelseshætte til guidewire

Inspektion

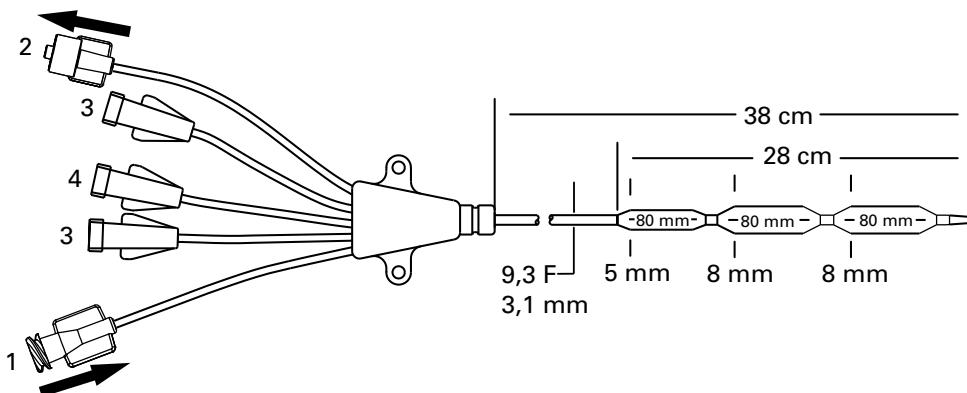
Efterse guidewiren inden brug, og bortskaf den, hvis der bemærkes deformiteter i guidewiren. Guidewirens placering bør kontrolleres regelmæssigt vha. røntgen eller fluoroskopi.

Teknik

1. Punkter karret.
2. Sæt guidewiren ind i kanylemuffen, og før forsigtigt 5-10 cm af guidewiren ind i det punkterede kar. Naviger guidewiren til den ønskede position.
Forsigtig. Undgå voldsom eller kraftig manipulation af guidewiren for at undgå at beskadige guidewiren eller karret.
3. Fjern kanylen fra guidewiren.
4. Dilater væv og kar med dilatatorens ved at dreje den en lille smule.
5. Fjern dilatatorens (kardilatatorens er udelukkende beregnet til vaskulær dilatation).
6. Indfør kateteret ved at skubbe det over guidewiren.
7. Fjern guidewiren.

Icy-kateter

1. IN-Luer
2. OUT-Luer
3. Infusionsporte
4. Distal Luer



©2024 ZOLL Medical Corporation. Alle rettigheder forbeholdes. ZOLL og Icy er varemærker eller registrerede varemærker tilhørende ZOLL Medical Corporation og/eller ZOLL Circulation, Inc. i USA og/eller andre lande. Alle varemærker tilhører deres respektive ejere.

Patent: www.zoll.com/patents

Lietuviškai (lt)

Modeliai IC-3893AE/8700-0782-40 ir IC-3893CO/8700-0782-14

Intravaskulinio šilumą perduodančio kateterio „lcy“[®] rinkinį sudaro:

Kiekis	Apibūdinimas
1 AE(CO)	Intravaskulinis šilumą perduodantis kateteris „lcy“ 9,3 prancūziško dydžio x 38 cm Triguba infuzijos Luerio jungtis Ilginimo linijos spausdukai Rentgenokontrastinis vamzdelis „Applause“, dengta heparinu
1 AE(CO)	Vielinis kreipiklis; 0,032 col. (0,81 mm) x 75 cm
1 AE(CO)	Kraujagyslės plėtiklis 10,5 F x 0,038 col. (3,6 mm x 1,0 mm)
1 AE(CO)	Nuimama siuvimo auselė ir sąvarža
1 AE	18 G x 2½ col. (1,3 mm x 63 mm) rentgenokontrastinis OTN kateteris
1 AE	5 ml švirkštas ir 22 G x 1 ½ col. (0,7 mm x 38 mm) adata
1 AE	Perforuotas apmušalas
1 AE	18 G x 2¼ col. (1,3 mm x 70 mm) adata
6 AE	4 col. x 4 col. (10 cm x 10 cm) marlės tamponai
1 AE	000 šilkinis siūlas
1 AE	11 numerio chirurginis skalpelis su ilga rankena

Pastaba. Rinkinio komponentai pagal modelį

Kiekvienas modelis tiekiamas arba su standartiniu atraminio įstūmimo rinkiniu (AE) arba be standartinio atraminio įstūmimo rinkinio (CO). Abiem rinkiniams bendri komponentai lentelėje anksčiau pažymėti AE(CO). Papildomi komponentai, esantys tik standartiniame rinkinyje, pažymėti AE.

Prietaiso aprašymas

Intravaskulinis šilumą perduodantis kateteris „lcy“ (toliau – „lcy“ kateteris arba kateteris) yra sterilus, vienkartinis, lankstus 9,3 F kateteris, skirtas įstumti į apatinę tuščiąją veną iš įstūmimo vietos šlaunies venoje. Šis „lcy“ kateteris yra skirtas prijungti prie ZOLL[®] vienkartinio paleidimo rinkinio ir „Coolgard“[®] arba „Thermogard“[®] konsolių šeimos (toliau – konsolė) (visos tiekiamos atskirai). Norint įstumti „lcy“ kateterį per odą reikia plėtiklio ir vielinio kreipiklio. Yra trys Luerio jungtys infuzijai ir mėginiams imti.

Infuzijos anga	Tėkmės greitis	Užpildymo tūris
Distalinė (ruda)	1 700 ml/val.	0,5 ml
Vidurinė (balta)	900 ml/val.	0,4 ml
Proksimalinė (mėlyna)	1 200 ml/val.	0,4 ml

Su kateteriu besiliečiantys paviršiai (galiukas, balionėlis ir vamzdelis) yra padengti antitrombozine „Applause“ heparino danga.

Sterilumas

Steriluota etileno oksidu. Kateteris tiekiamas sterilus ir skirtas naudoti tik vieną kartą; jo negalima sterilizuoti pakartotinai. Prieš naudojimą reikia patikrinti pakuotę ir įsitikinti, kad nebuvo pažeistas sterilumo barjeras.

Laikymas

Laikyti vėsioje sausoje vietoje. Negalima užšaldyti ir laikyti per aukštoje temperatūroje.

Naudojimas pagal paskirtį

„lcy“ kateteriu, sujungtu su „Coolgard“ arba „Thermogard“ sistema, per šilumokaitį cirkuliuoja kontroliuojamos temperatūros fiziologinis tirpalas, kad atvėsintų / sušildytų kraują pacientams, kuriems gresia su centrine linija susiję pavojai. Ilgiausias naudojimo laikotarpis: 4 dienos.

Kontraindikacijos

- Iš esmės, pavojai, susiję su kateteriu yra tokie pat, kaip ir susiję su centrinės venos kateteriu. Kateterio negalima naudoti pacientams, kuriems nėra indikuotinas centrinės sistemos įvedimas.
- Hemoraginė diatezė.
- Aktyvus sepsis.
- Infekcija arba aktyvus kraujavimas kateterio įstūmimo vietoje.
- Pacientai, kurių kraujagyslės negalima pasiekti, arba kai į kraujagyslių sistemą negalima įstumti kateterio, įskaitant pacientus su tuščiosios venos filtrais arba kitomis implantuotomis kliūtimis kateteriui patekti.
- Pacientai, kuriems negalima stebėti reikiamos temperatūros.
- Hipotermija kontraindikuota pacientams, sergantiems hematologinėmis ligomis, kurios gali pablogėti dėl hipotermijos (pvz., bet kuri liga, kuri sukelia krioglobulinemiją, bet kuri hemoglobinopatija, kai šaltis gali paskatinti hemolizinę anemiją, įskaitant pjautuvinę anemiją ar talasemiją).
- Neskirta naudoti vaikams ar naujagimiams.

Įspėjimai, atsargumo priemonės, nepageidaujamos reakcijos

Centrinės venos kateterizaciją turi atlikti tik gerai išmokyti darbuotojai, gerai išmanantys anatominius orientyrus ir saugumo techniką. Darbuotojai taip pat turi turėti žinių apie galimas komplikacijas.

ĮSPĖJIMAS

Kateterį reikia įstumti tik per šlaunies veną. Kateterio neįstatykite į dešinįjį prieširdį ar dešinįjį skilvelį. Įstūmus į dešinįjį prieširdį ar dešinįjį skilvelį, galima sunkiai sužaloti pacientą arba sukelti mirtį.

Tik vienkartinis. Gaminys skirtas naudoti tik vieną kartą. Nesterilizuokite ir nenaudokite pakartotinai. Ištraukę iš paciento, dar kartą neįstumkite. Jokių būdų kateterio nemodifikuokite.

Pakartotinai naudojant vienkartinį prietaisą gali kilti šių pavojų (sąrašas neišsamus):

- galimai gyvybei pavojinga infekcija,
- toksinis šokas dėl medžiagų irimo,
- padidėjusi trombozės rizika,
- sumažėjusi šilumos apsaugos galia,
- prietaiso trūkys.

ĮSPĖJIMAS. „lcy“ kateteris ir paleidimo rinkinys gali būti netinkamai prijungti prie kitų prietaisų su mažu skersmens jungtimis. Šios prijungimo klaidos gali lemti paciento sužalojimą arba mirtį.

Atsargiai. Įprastos Luerio jungtys, esančios ant kateterio ir paleidimo rinkinio, gali sumažinti netinkamo prijungimo riziką, bet netinkamo prijungimo galimybes naudojant medicinos prietaisą šioms paskirtims vis dar išlieka: kvėpavimo sistemų ir dujų tiekimo, enterinėms ir gastrinėms, šlaplės ir šlapimo, galūnių manželių pripūtimo, neuroaksialinėms ir intravaskulinėms arba hipoderminėms paskirtims. Visuomet būkite atsargūs, kai jungiate ZOLL kateterius ir paleidimo rinkinius šioms ir kitoms medicinos prietaisų paskirtims.

Atsargiai. Užtikrinkite, kad „lcy“ kateteris ir (arba) paleidimo rinkinys nebūtų jungiami prie IV ar kitų medicinos prietaisų.

- Kateterį reikia įstatyti taip, kad jo distalinis galiukas būtų apatinėje tuščiojoje venoje virš jos susijungimo su dešiniuoju prieširdžiu lygiagrečiai kraujagyslės sienelei. Reikia atlikti rentgenogramą ir įsitikinti, kad kateteris nėra dešiniajame prieširdyje ar skilvelyje.
- Perspėjimas.** Jei fiziologinio tirpalo grandinėje pastebimas kraujas, nutraukite procedūrą ir patikrinkite, ar nėra kateterio nuotėkio.
- Galimos centrinės venos kateterių komplikacijos yra: prieširdžio ar skilvelio perforacija, širdies tamponada, oro embolija, embolija kateteriu, krūtininio latakų plėšimas, bakteremija, septicemija, trombozė, netyčinis arterijos pradūrimas, hematomos susidarymas, kraujavimas, nervo pažeidimas ir širdies ritmo sutrikimai.
- Visas Luerio jungtis ir dangtelius reikia tvirtai užveržti, kad būtų išvengta oro embolijos ar skysčių ir kraujo netekimo.
- Judindami kateterį ar vielinį kreipiklį niekuomet nenaudokite per didelės jėgos. Jei jaučiamas pasipriešinimas, reikia rentgenologiškai nustatyti jo priežastį.
- Vieliniam kreipikliui patekus į dešinįjį prieširdį gali kilti ritmo sutrikimų, dešinėsios Hiso pluošto kojų blokada, kraujagyslės sienelės, prieširdžio ar skilvelio perforacija.
- Kateteriui pripildyti naudokite tik sterilų įprastą fiziologinį tirpalą. Tai yra cirkuliuojantis skystis kateteriui.

- Reikia nuolat tikrinti tėkmės greitį per kateterį, tvarsčių fiksaciją, taisyklingą kateterio padėtį ir Luerio jungčių tvirtumą. Pagal centimetrines žymes nustatykite, ar kateterio padėtis pasikeitė. Galimas pavojus, susijęs su keleto spindžių balioniniais kateteriais, yra gydymo poveikio nebuvimas, pavyzdžiui, kai nepavyksta suleisti vaistų per infuzijos spindžius.
- Tiktai rentgenologinis tyrimas gali parodyti, kad kateterio galiukas nepasiekė širdies ar kad jis nebeguli lygiagrečiai kraujagyslės sienelei. Jeigu pasikeitė kateterio padėtis, atlikite rentgenologinį tyrimą ir patikrinkite kateterio galiuko padėtį.
- Norėdami paimti kraujo mėginį, laikinai atjunkite likusias infuzijos jungtis, pro kurias leidžiami tirpalai.
- Kraujo mėginiams paimti naudokite tik 30 ml ar mažesnę švirkštą.
- Alkoholis ir acetonas gali susilpninti vamzdelio medžiagos struktūrą. Todėl reikia būti atsargiems leidžiant vaistų, kurių sudėtyje yra alkoholio ar kai alkoholis ar acetonas naudojamas atlikti įprastai kateterio priežiūrai. Kateteriui atkimišti negalima naudoti alkoholio.
- Naudokite tik ZOLL siuvimo ašelę ir spaustuką, esantį rinkinyje, kad nepažeistumėte kateterio.
- Užsikimšusiam kateteriui praplauti ar atkimišti naudojant mažesnę nei 10 ml švirkštą galima sukelti pratekėjimą iš spindžio arba kateterio plyšimą.
- Neleiskite vaistų į oranžines IN (ITEKĖJIMO) ir OUT (IŠTEKĖJIMO) Luerio jungtis, nes nebus gydymo poveikio.
- Pacientai gali karščiuoti dėl priežasčių, susijusių su infekcija ir (arba) nesusijusių su ja. Sumažinus karščiavimą, kuris gali būti infekcijos požymiu, būtina kasdien kruopščiai tikrinti, ar nėra kitų infekcijos požymių.
- Būkite atsargūs, kai leidžiate vaistus, kuriuos gali paveikti žema temperatūra (žemesnė nei 4 °C). Tirpalai, kurių sudėtyje yra manitolio, yra jautrūs temperatūrai ir jų negalima leisti pro kateterį, išskyrus greitą iki 20 % koncentracijos manitolio tirpalo suleidimą, po kurio atliekamas praplovimas fiziologiniu tirpalu. Didesnės nei 20 % koncentracijos manitolio tirpalą reikia lašinti arba leisti infuzijos siurbliu per atskirą liniją.
- Širdies tamponada: Į dešinią prieširdį įstūmus nuolatinius kateterius gali būti perforuota širdis ir kilti jos tamponada. Gydytojai, kurie įstato centrines venos kateterius, turi žinoti apie šią komplikaciją, kuri gali būti mirtina, ir neįstumti kateterio per toli, atsižvelgiant į paciento dydį. Tikrąją įstatyto kateterio galiuko padėtį reikia patikrinti rentgenologiškai. Centrines venos kateterių negalima įstumti į dešinią prieširdį, nebent to ypač reikia specialioms, santykinai trumpalaikėms procedūroms, pvz., oro embolų aspiracijai neurochirurginės operacijos metu. Tačiau tokios procedūros vis tiek yra rizikingos ir jas reikia atidžiai stebėti ir kontroliuoti.
- Kateteris padengtas heparinu. Tai gali sukelti arba pasunkinti esamą heparino sukeltą trombocitopeniją (HIT).
- ISPĖJIMAS.** Kai infuzijos rinkinius / injekcijos sistemas prijungiate prie kateterio, neviršykite 100 psi/689 kPa.
- Pacientams, kuriems taikoma hipotermija, ji gali pasunkinti kai kurių ligų būklę. Hipotermijos metu reikia tinkamai stebėti paciento homeostazę.
 - Širdies ritmo sutrikimai – ir bradikardija, ir skilvelių tachiaritmija.
 - Krešėjimo funkcija. Hipotermijos metu reikia atidžiai stebėti pacientus, kuriems yra krešėjimo funkcijos sutrikimų rizika.
 - Kraujo dujos ir pH analizė. Hipotermija keičia ramybės pH ir PaCO₂. Gydytojai turi žinoti apie temperatūros poveikio pasekmes.
 - Užsitęsusi hipotermija slopina imuninį atsaką ir plaučių funkciją.

ISPĖJIMAS. Pratekėjimas iš spindžio arba balionėlio. Pratekėjimas iš spindžio (tarp fiziologinio skysčio spindžio ir infuzijos spindžių) arba balionėlio yra galima kateterio triktis. Tokios trikties atveju sterilus fiziologinis tirpalas iš ausinimo sistemos patenka į pacientą. Pratekėjimą iš spindžio arba balionėlio paprastai lydi skysčio netekimo perspėjimo signalas, kai fiziologinio tirpalo maišelis ištuštėja ir sistema sustoja. **Visuomet patikrinkite skysčio lygio perspėjimo signalus.** Ausinimo sistema yra uždaro lanko sistema – paprastai skysčio netekimo perspėjimo signalas reiškia skylę kažkur šiame uždareme lanke. Įsijungus bet kuriam skysčio netekimo perspėjimo signalui patikrinkite kateterio vientisumą ir paleidimo rinkinį (žr. toliau).

ISPĖJIMAS. Jei pastebėjote ištuštėjusį fiziologinio tirpalo maišelį arba oro gaudyklės perspėjimo signalą, nekeiskite fiziologinio tirpalo maišelio, kol nenustatysite pratekėjimo vietos ir nesiimsite reikiamų priemonių. Patikrinkite, ar sistemoje nėra nuotėkio, vadovaudamiesi instrukcijomis leškokite pratekėjimo iš paleidimo rinkinio ir leškokite pratekėjimo iš kateterio skyruose (turėkite omenyje, kad pratekėjimas gali būti išorinis arba vidinis).

Pakartotinai keičiant fiziologinio tirpalo maišelį neištryš pratekėjimo ar fiziologinio tirpalo dingimo, pacientui gali būti netyčia prileista fiziologinio tirpalo. Fiziologinio tirpalo prileidimas gali sukelti šių nepageidaujamo poveikio reiškinių: vietinį patinimą, kuris vėliau gali sukelti vietinį audinį pažeidimą; sisteminį skysčių perteklių, dėl kurio gali atsirasti priklausoma edema ir imti irti oda; skysčių perteklių vidaus organuose, dėl kurio vėliau gali būti perkrautos smegenys, plaučiai arba širdis. Kai kuriais atvejais toks skysčių perteklius gali sukelti gyvybei pavojingų reiškinių.

Atsargiai. Konsolė generuoja perspėjimo signalą, kai fiziologinio tirpalo maišelis ištuštėja. Maišelis turi būti visiškai tuščias, turi išsekti papildomas fiziologinio tirpalo kieki tarp fiziologinio tirpalo smaigo ir oro gaudyklės, kad druskos kiekis oro gaudyklėje sumažėtų tiek, kad suveiktų perspėjimo signalas.

leškokite pratekėjimo iš paleidimo rinkinio

- Patikrinkite, ar oro gaudyklėje nėra kondensato. Jeigu oro gaudyklėje yra kondensato susidarymo požymių, iššluostykite oro gaudyklę ir vėl įdėkite ją į konsolę. Jeigu suveikė oro gaudyklės perspėjimo signalas, patikrinkite, ar atlikus minėtą veiksmą šis signalas išnyko.
- Atidžiai patikrinkite visą fiziologinio tirpalo kelią nuo maišelio iki konsolės, ar jame nėra pratekėjimų. Patikrinkite, ar fiziologinio tirpalo nėra ant grindų, konsolės ar ant paciento lovos.
- Jei ant grindų, konsolės ar paciento lovos yra fiziologinio tirpalo, patikrinkite, ar kateterio ir paleidimo rinkinio Luerio jungtys nėra įtrūkusios ar pažeistos ir ar jungtys pakankamai sandarios, kad skystis neprasisunktų.
- Jeį pastebėjote pratekėjimą iš paleidimo rinkinio, pakeiskite paleidimo rinkinį ir patikrinkite, ar kateteris taip pat yra nesandarus.
- Jeį paleidimo rinkinyje pratekėjimo nerandate, tuomet gali būti, kad skystis prateka iš kateterio. Tikrinkite toliau.

leškokite pratekėjimo iš kateterio

- Nuo kateterio atjunkite paleidimo rinkinį. Tinkamai uždėkite dangtelį ant kateterio ir paleidimo rinkinio, naudodami sterilų metodą.
- Sterilų 10 ml švirkštą pripildykite sterilaus fiziologinio tirpalo.
- Prijunkite švirkštą prie kateterio IN (ITEKĖJIMO) Luerio jungties ir nuimkite OUT (IŠTEKĖJIMO) dangtelį. Suleiskite 10 ml fiziologinio tirpalo – tirpalas turi ištekėti iš OUT (IŠTEKĖJIMO) Luerio jungties. Jeigu fiziologinis tirpalas neišteka iš OUT (IŠTEKĖJIMO) Luerio jungties, tai reiškia, kad gali būti pratekėjimas iš kateterio.
- Uždėkite dangtelį ant OUT (IŠTEKĖJIMO) Luerio jungties ir ištraukite 5 ml vakuumo. Išlaikykite mažiausiai 10 sekundžių. Iki 4 ml fiziologinio tirpalo (ne kraujo) turi patekti į švirkštą ir turite sugebėti išlaikyti vakuumą. Jeigu švirkšte matyti kraujo pėdsakų arba nepavyksta išlaikyti vakuumo, tai rodo pratekėjimą iš kateterio.
- Jeigu nustatote pratekėjimą iš kateterio, pakeiskite kateterį.
- Pakeiskite fiziologinio tirpalo maišelį ir pakartotinai užpildykite paleidimo rinkinį.
- Užtikrinkite, kad paleidimo rinkinio Luerio jungtys būtų sandarios, ir tęskite terapiją.

Reikalingos medžiagos

Kiekis	Apibūdinimas
1	„lcy“ kateterio rinkinys perkutaniniam įstūmimui
1	500 ml maišelis sterilus įprasto fiziologinio tirpalo (netiekiamas)
1	Paleidimo rinkinys (teikiamas atskirai)
1	• 6 pėd. (183 cm) standartinis vamzdelis arba • 9 pėd. (274 cm) pailgintas vamzdelis
1	„Coolgard“ arba „Thermogard“ konsolė (teikiama atskirai)
1	Kateterio priedų rinkinys (tik (CO))
1	YSI-400 temperatūros zondas (netiekiamas)

Kateterio paruošimas ir įstūmimas

Pastaba. Kateteris turi rentgenokonstratinę žymų juostą, kad žiūrint rentgeno aparatu būtų galima atpažinti kateterį įstūmimo metu ir jį įstūmus. Ant proksimaliojo balionėlio proksimaliojo galo yra viena žymės juosta. Ant kateterio galiuko yra bario sulfato, kuris jį padaro rentgenokonstratinį.

Laikykites sterilumo.

Atsargiai. Šio kateterio IN (ITEKĖJIMO) ir OUT (IŠTEKĖJIMO) Luerio jungtys yra pagamintos ir skirtos naudoti tik su paleidimo rinkiniu, nurodytu skyruije „Reikalingos medžiagos“.

Kateterio paruošimas

1. Pacientą paguldyskite aukščiau nugarą.
2. Paruoškite ir apklaukite punkcijos vietą, kaip reikia.
3. Iš pakuotės atsargiai išimkite kateterį, palikdami kateterio plėvelinę dangą.
4. Nuo Luerio IN (ITEKĖJIMO) ir OUT (IŠTEKĖJIMO) jungčių nuimkite dangtelius. Esant uždengtam kateteriui, pripildykite švirkštą (5 ml ar didesnį) sterilus fiziologinio tirpalo ir jį prijunkite prie lizdinės Luerio IN (ITEKĖJIMO) jungties.
ISPĖJIMAS. Niekomet neleiskite skysčių į IN (ITEKĖJIMO) Luerio jungtį sudarydami teigiamą slėgį, kai uždėtas OUT (IŠTEKĖJIMO) Luerio jungties dangtelis.
5. Pro kateterį atsargiai leiskite fiziologinį tirpalą, kol jis pradės tekėti iš OUT (IŠTEKĖJIMO) Luerio jungties.
6. 5 ml ar didesniu švirkštu praplaukite distalinę, proksimalinę ir medialinę infuzijos Luerio jungtis steriliu fiziologiniu tirpalu. Užspauskite ar pritvirtinkite injekcijos dangtelius prie proksimalinės ir medialinės infuzijos Luerio jungčių. Distalinę Luerio jungtį palikite neuždengtą, kad praeitų vielinis kreipiklis.
Atsargiai. Prieš įstumdami kateterį į paciento organizmą, visada pripildykite infuzijos Luerio jungties.
7. Nuimkite kateterio plėvelinę dangą. Jeigu nuimdami plėvelinę dangą nuo kateterio jaučiate pasipriešinimą, plėvelinę dangą praplaukite steriliu fiziologiniu tirpalu. Patikrinkite kateterį ir įsitinkite, kad nuo šilumos perdavimo membranos pašalintas visas oras. Patikrinkite kateterį, ar neprateka.
Atsargiai. Stenkitės per daug nevalyti padengto kateterio. Nevalykite kateterio sausa marle, nes taip galite sugadinti kateterio dangą. Kateterio išankstiniam apdorojimui nenaudokite spirito, antiseptinių tirpalų ar kitų tirpiklių, nes tai gali sukelti nenumatytų dangos pokyčių, kurie gali turėti poveikio prietaiso saugumui ir veikimui.
ISPĖJIMAS. Kateterio nenukirpkite, kad pakeistumėte ilgį.

Kateterio įstūmimas

ISPĖJIMAS. Naudokite tik tai šlaunies venos prieigą.

1. Standartiniu perkutaniniu metodu punktuokite šlaunies veną. Prieigą išlaikykite 0,032 colio (0,81 mm) vieliniu kreipikliu. Žr. vielinio kreipiklio naudojimo instrukciją.
ISPĖJIMAS. Nemėginkite pakartotinai įstumti iš dalies ar visiškai ištrauktos OTN (angl. „Over The Needle“) įstumiklio adatos iš kateterio.
Atsargiai. Su kateteriu nenaudokite didesnio nei 0,032 colio (0,81 mm) vielinio kreipiklio.
2. Pritaikydami vielinį kreipiklį ištraukite įstumiklio kateterį.
Atsargiai. Vielinį kreipiklį visuomet laikykite tvirtai.
3. Odos punkcijos vietą išplėskite skalpelio ašmenimis, nukreiptais nuo vielinio kreipiklio.
ISPĖJIMAS. Neįpjaukite vielinio kreipiklio. Punkcijos vietai išplėsti naudokite kraujagyslės plėtiklį, kai reikia. Nepalikite kraujagyslės plėtiklio kaip nuolatinio kateterio, kad sumažėtų galima kraujagyslės perforacijos rizika.
4. Kateterio galiuką užmaukite ant vielinio kreipiklio. Vesdami kateterį vielinį kreipiklį laikykite pakankamai tvirtai. Suėmę kateterio galiuką netoli odos, stumkite kateterį į veną. Toliau stumkite kateterį pro vielinį kreipiklį, uždėję pirštus proksimaliau prie balionėlio.
5. Naudodami ant kateterio esančias centimetrines žymas kaip padėties nustatymo kontrolinius taškus, stumkite kateterį mažiausiai iki žymos skaičiaus, kad užtikrintumėte, jog proksimalinė infuzijos anga būtų kraujagyslėje.
6. Kateterį laikykite norimame gylyje ir ištraukite vielinį kreipiklį. Jei įstūmus kateterį ir mėginant ištraukti vielinį kreipiklį jaučiamas pasipriešinimas, vielinis kreipiklis gali būti užlinkęs prie kateterio galiuko. Pajutę pasipriešinimą, kateterį patraukite vielinio kreipiklio atžvilgiu 2–3 cm ir pamėginkite ištraukti vielinį kreipiklį. Jeigu vėl pajuntamas pasipriešinimas, ištraukite kartu vielinį kreipiklį ir kateterį.
Atsargiai. Nenaudokite per didelės jėgos manipuliuodami vieliniu kreipikliu.
7. Ištraukdami patikrinkite, ar vielinis kreipiklis sveikas.
8. Patikrinkite kateterio vietą, prie distalinės infuzijos Luerio jungties prijungę švirkštą ir įtraukdami, kol pastebėsite, kad veninis kraujas teka laisvai. Prie atitinkamos „Luer-Lock“ sistemos prijunkite infuzijos Luerio jungtį, kaip reikia. Nenaudojamą infuzijos angą galima uždaryti injekcijos dangteliu pagal standartinį ligoninės protokola. Ant vamzdelio uždėtas slankiojantis spaustukas, kad užspaustų srovę per infuzijos Luerio jungtį keičiant liniją ir injekcijos dangtelį.

Atsargiai. Kad sumažėtų vamzdelio pažeidimo dėl per didelio slėgio pavojus, spaustuką reikia atleisti prieš infuzuojant per Luerio jungtį.

Atsargiai. Neužspauskite ir neužkimškite IN (ITEKĖJIMO) ar OUT (IŠTEKĖJIMO) linijų. Taip galima užkimšti sistemą ir sukelti triktį.

9. Įstūmimo vietą bei kateterį laikinai fiksukite ir aptvarstykite.
10. Įstatę kateterį iš karto rentgenologiškai patikrinkite jo galiuko padėtį. Rentgenologinis tyrimas turi rodyti, kad kateteris yra ATV, o kateterio distalinis galas lygiagretus tuščiosios venos sienelei. Jeigu kateterio galas yra nustatytas į netinkamą padėtį, pakeiskite padėtį ir patikrinkite.
11. Proksimalinė rentgenokonstratinė žyma rodo proksimalinį balionėlio galą. Įsitinkite, kad balionėlis būtų visiškai kraujagyslėje. Jeigu kateterio padėtis netinkama, pakeiskite padėtį ir patikrinkite.
12. Pritvirtinkite kateterį prie paciento. Pirminei siuvimo vietai naudokite siuvimo auselės šoninius sparnelius, kad sumažėtų kateterio poslinkio rizika.
13. ZOLL siūlės ašelę ir spaustuką galima taip pat naudoti kaip papildomą tvirtinimo tašką. Įsitinkite, kad kateterio korpusas fiksuotas ir nesislankioja.
Atsargiai. Naudokite tik ZOLL siuvimo ašeles ir spaustuką, esančius rinkinyje. Galima pažeisti kateterį, jeigu naudojamos kitos ašelės ar spaustukai.
- Atsargiai.** Nesiūkite tiesiogiai prie kateterio išorinio skersmens, kad sumažėtų įpjovimo ar kateterio sugadinimo bei kateterio pralaidumo sutrikdymo rizika.
14. Punkcijos vietą aptvarstykite vadovaudamiesi ligoninės taisyklėmis. Aseptiškai įstūmimo vietą prižiūrėkite reguliariai kruopščiai pertvarstydami.
15. Paciento ligos istorijoje įrašykite vidinio kateterio ilgį pagal centimetrines žymas ant kateterio korpuso. Reikia dažnai apžiūrėti ir įsitikinti, kad kateteris nepajudėjo.
16. Prijunkite pripildytą paleidimo rinkinį prie kateterio: Prijunkite paleidimo rinkinio kištukinę Luerio jungtį prie lizdinės kateterio IN (ITEKĖJIMO) Luerio jungties (pažymėtos IN). Prijunkite paleidimo rinkinio lizdinę Luerio jungtį prie kištukinės kateterio OUT (IŠTEKĖJIMO) Luerio jungties (pažymėtos OUT). Baltos ZOLL kortelės laisvai pritvirtintos prie IN (ITEKĖJIMO) ir OUT (IŠTEKĖJIMO) ilginimo vamzdelių, kad padėtų juos atskirti.
Pastaba. Paleidimo rinkinio IN (ITEKĖJIMO) ir OUT (IŠTEKĖJIMO) Luerio jungtys yra skirtos tik prijungti prie kateterio IN (ITEKĖJIMO) ir OUT (IŠTEKĖJIMO) Luerio jungčių ir nėra skirtos prijungti prie standartinių švirkštų su Luerio jungtimis. Jos turi pagal užsakymą pagamintus ZOLL tvirtiklius ir yra oranžinės spalvos, kad jas būtų galima lengvai atskirti.
17. Įsitinkite, kad Luerio jungčių galuose yra pakankamas kiekis sterilus fiziologinio tirpalo, kad būtų sudarytos beorės jungtys. Žr. naudojimo vadovą.
ISPĖJIMAS. Netinkamai paleidimo rinkinį prijungus prie kateterio, kateteris gali sugesti. Paleidimo rinkinio (oranžinės) Luerio jungties neįjunkite prie mėlynos, baltos arba rudos Luerio jungčių.
Atsargiai. Paleidimo rinkinio neįjunkite prie distalinės angos.
- Atsargiai.** Prie sistemos neįjunkite jokių čiaupų, kuriuos netyčia galima užsukti. Taip galima užkimšti sistemą ir sukelti triktį.
18. Fiziologinį tirpalą pumpuokite pro paleidimo rinkinį ir kateterį, kad įsitikintumėte, jog visos jungtys yra tvirtos ir neprateka. Leiskite visam likusiam sistemoje orui išeiti, kaip aprašyta naudojimo vadove.

Kateterio atjungimas nuo konsolės

1. Sustabdykite fiziologinio tirpalo tekėjimą kateteriu.
2. Nuo kateterio atjunkite paleidimo rinkinį.
3. Kad jungtis išlaikytumėte steriliais, nedelsdami uždenkite kateterio ir paleidimo rinkinio Luerio jungtis steriliais Luerio dangteliais arba sujunkite IN (ITEKĖJIMO) Luerio jungtį su OUT (IŠTEKĖJIMO) Luerio jungtimi.

Pakartotinis kateterio prijungimas prie konsolės

1. Nuimkite Luerio dangtelius nuo kateterio ir paleidimo rinkinio Luerio jungčių. Išmeskite Luerio dangtelius arba atjunkite IN (ITEKĖJIMO) ir OUT (IŠTEKĖJIMO) Luerio jungtis vieną nuo kitos.
2. Prijunkite paleidimo rinkinį prie kateterio: Prijunkite paleidimo rinkinio kištukinę Luerio jungtį prie lizdinės kateterio IN (ITEKĖJIMO) Luerio jungties. Prijunkite paleidimo rinkinio lizdinę Luerio jungtį prie kištukinės kateterio OUT (IŠTEKĖJIMO) Luerio jungties. Paleidimo rinkinio ir kateterio IN (ITEKĖJIMO) bei OUT (IŠTEKĖJIMO) jungtys yra oranžinės spalvos. Įsitinkite, kad Luerio jungčių galuose yra pakankamas kiekis sterilus fiziologinio tirpalo, kad būtų sudarytos beorės jungtys.

ISPĖJIMAS. Netinkamai paleidimo rinkinį prijungus prie kateterio, kateteris gali sugesti.

ISPĖJIMAS. Nenaudokite IN (ITEKĖJIMO) ir OUT (IŠTEKĖJIMO) Luerio jungčių standartinėms centrinės venos kateterio infuzijos angoms. Jos skirtos prijungti tik prie „Coolgard“ / „Thermogard“ konsolės. Paleidimo rinkinio IN (ITEKĖJIMO) ir OUT (IŠTEKĖJIMO) Luerio jungtys yra skirtos tik prijungti prie kateterio IN (ITEKĖJIMO) ir OUT (IŠTEKĖJIMO) Luerio jungčių. Jos turi pagal užsąkimą pagamintus ZOLL tvirtiklius ir yra oranžinės spalvos, kad jas būtų galima lengvai atskirti.

Atsargiai. Prie sistemos nejunkite jokių papildomų čiaupų, kurias netyčia galima užsukti. Taip galima užkimšti sistemą ir sukelti triktį.

Kateterio išėmimas

- Sustabdykite fiziologinio tirpalo pumpavimą kateteriu.
- Nuo kateterio atjunkite paleidimo rinkinį. **Atidėkite arba palikite atidengtas kateterio IN (ITEKĖJIMO) ir OUT (IŠTEKĖJIMO) Luerio jungtis.** Taip bus galima išleisti sistemoje likusį fiziologinį tirpalą. Kai kateteris ištrauktas, balionėliai suspaudžiami. Fiziologinis tirpalas balionėliuose turi laisvai ištekėti iš balionėlio, kitaip balionėlis nesublūškės ir kateterį gali būti sunku ištraukti.
- Pasirinktinai prijunkite 20 ar 25 ml švirkštą prie kateterio IN (ITEKĖJIMO) Luerio jungties. Prieš ištraukdami kateterį, patraukę švirkšto stūmoklį išlaikykite vakuumą 15 sekundžių, kad likęs fiziologinis tirpalas būtų pašalintas iš kateterio balionėlio srities.
- Pacientą paguldykite aukštelininką. Nuimkite tvarstį. Nuo siuvimo vietos nuimkite siūles.

ISPĖJIMAS. Neuždėkite Luerio dangtelio ant OUT (IŠTEKĖJIMO) Luerio jungties.

- Iš paciento lėtai ištraukite kateterį. Kai tik kateteris praeis pro punkcijos vietą, prispauskite orui nelaidžiu tvarsčiu (pvz., vazelino marle).

ISPĖJIMAS. Pajutę pasipriešinimą, kateterio nejudinkite. Patikrinkite ir įsitinkite, kad vėsinimo grandinės IN (ITEKĖJIMO) ir OUT (IŠTEKĖJIMO) Luerio jungtys NĖRA uždengtos. Jeigu uždengtos, atidėkite jas, subliuškinkite balionėlį ir vėl pamėginkite ištraukti kateterį. Jeigu tebejauciamas pasipriešinimas, reikia atlikti rentgenogramą ir nustatyti pasipriešinimo priežastį.

MRT saugos informacija



Santykinai saugus naudoti MR aplinkoje

„Icy“ intravaskulinis šilumą perduodantis kateteris yra sąlyginai saugus naudoti MR aplinkoje. Pacientas su šiuo kateteriu gali būti saugiai nuskaitomas toliau nurodytomis sąlygomis. Jei nesilaikysite šių sąlygų, galite sužaloti pacientą.

Parametras	Sąlyga
Vardinės statinio magnetinio lauko (T) vertės	1,5 T ir 3,0 T
Didžiausias erdvinio lauko gradientas (T/m ir gausų/cm)	40 T/m (4 000 gausų/cm)
RD sužadavimo tipas	Apskritai poliarizuotas (CP) (t. y. kvadratinis)
Perduoti RD ritės informaciją	Nėra perdavimo RD ritės apribojimų. Atitinkamai gali būti naudojami: kūno perdavimo RD ritė ir visi kiti RD ritės deriniai (t. y. korpuso RD ritė kartu su bet kokia priėmimo RD rite, perdavimo / priėmimo galvutės RD ritė, perdavimo / priėmimo kelio RD ritė ir kt.)
MR sistemos veikimo režimas	Įprastas veikimo režimas
Didžiausias viso kūno vidutinis SAR	2 W/kg (įprastas veikimo režimas)
Nuskaitymo trukmės apribojimai	Viso kūno SAR vidurkis yra 2 W/kg 60 minučių nepertraukiamo RD ekspozicijos metu (t. y. kiekvienai impulsų sekai arba viena po kitos einančioms sekoms (serijai) be pertraukų)
MR vaizdo artefaktas	Šio implanto buvimas sukuria vaizdo artefaktą. Todėl atidžiai pasirinkite impulsų sekos parametrus, jei implantas yra dominančioje srityje.
ISPĖJIMAS	ZOLL „Coolgard“ ir „Thermogard“ konsolės yra nesaugios naudoti MR aplinkoje, todėl draudžiama jas turėti MR sistemos patalpoje. Prieš perkeliant pacientą į MR sistemos patalpą, kateterį reikia atjungti nuo konsolės.

Vielinio kreipiklio naudojimo instrukcija

Pastaba. Ši informacija galioja tik naudojant vielinius kreipiklius pagal Seldingerio kateterio įstūmimo į kraujagysles metodą.

Įspėjimai

Tiekiamas vielinis kreipiklis skirtas naudoti tik vieną kartą. Nesterilizuokite ir nenaudokite pakartotinai. Ištraukę iš paciento, dar kartą neįstumkite.

Jeį įstumiant ar ištraukiant jaučiamas pasipriešinimas, nejudinkite vielinio kreipiklio. Pasipriešinimo priežastį nustatykite fluorografu ir imkitės reikiamų veiksmų.

Ypač atsargiai reikia stumti vielinį kreipiklį per stentą. Vielinio kreipiklio naudojimas stentuotose kraujagyslėse kelia pacientui papildomą pavojų.

Atsargumo priemonės

Vielinio kreipiklio stenkitės netraukti pro metalines adatas, nes vielinis kreipiklis gali nutrūkti.

Dėl vielinio kreipiklio gležnumo ir trapumo reikia būti itin atsargiems. Stenkitės nelenkti ir nesusukti. Nenaudokite pažeistų vielinių kreipiklių.

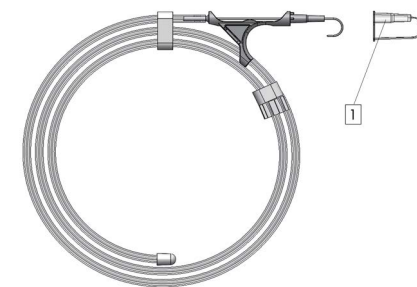
Sandėliuodami ar naudodami stenkitės vielinių kreipiklių nevynioti į mažesnio nei 8 col. (20,32 cm) skersmens vijas, nes mažesnis skersmuo gali sukelti bereikalingą įtampą vieliniams kreipikliams, dėl kurios jie gali užlūkti. Pridėtas dalytuvas yra geriausia vielinio kreipiklio laikymo ir naudojimo priemonė.

Reikia palikti išlindusį pakankamo ilgio vielinį kreipiklį, kad būtų galima visuomet tvirtai laikyti vielinį kreipiklį.

Dalytuvas

Kiekvienas vielinis kreipiklis tiekiamas dalytuvo pakuotėje „Tyvek“ maišelyje. Išimkite vielinį kreipiklį iš „Tyvek“ maišelio. Prieš pat vielinio kreipiklio panaudojimą nuimkite vielinio kreipiklio apsauginį dangtelį. Prieš įstūmimą paruoškite vielinį kreipiklį. Rekomenduojama dalytuvą užpildyti heparinizuotais tirpalais (pvz., fiziologiniu tirpalu arba dekstroze), kad įstumiant vielinis kreipiklis būtų sudrėkintas.

Suformuotas „J“ formos vielinis kreipiklis atkartos formą, kai bus ištrauktas iš produkto dalytuvo.



1. Vielinio kreipiklio apsauginis dangtelis

Tikrinimas

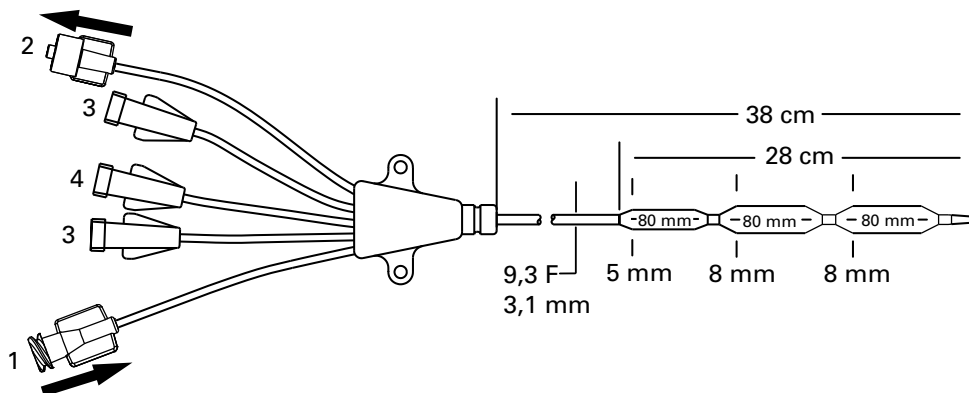
Vielinį kreipiklį prieš naudojimą reikia patikrinti ir išmesti, jei pastebėtos vielinio kreipiklio deformacijos. Vielinio kreipiklio įstūmimą reikia nuolat stebėti rentgenu ar fluoroskopu.

Metodas

1. Puntuokite kraujagyslę.
2. Vielinį kreipiklį įstumkite į adatos jungtį ir 5–10 cm kreipiklio atsargiai įstumkite į punktuotą kraujagyslę. Įstumkite vielinį kreipiklį į norimą vietą.
Atsargiai. Venkite grubių ir labai energingų manipuliacijų vieliniu kreipikliu, kad išvengtumėte vielinio kreipiklio ar kraujagyslės sužalojimo.
3. Nuo vielinio kreipiklio nuimkite adatą.
4. Atsargiais sukamaisiais judesiais plėtikliu išplėskite audinius ir kraujagyslę.
5. Išimkite plėtiklį (kraujagyslės plėtiklis skirtas tik kraujagyslei išplėsti).
6. Kateterį įstumkite vieliniu kreipikliu.
7. Ištraukite vielinį kreipiklį.

„lcy“ kateteris

1. IN (ĮTEKĖJIMO) Luerio jungtis
2. OUT (IŠTEKĖJIMO) Luerio jungtis
3. Infuzijos angos
4. Distalinė Luerio jungtis



© „ZOLL Medical Corporation“, 2024. Visos teisės saugomos. ZOLL ir „lcy“ yra „ZOLL Medical Corporation“ ir (arba) „ZOLL Circulation Inc.“ prekių ženklai arba registruotieji prekių ženklai Jungtinėse Amerikos Valstijose ir (arba) kitose šalyse. Visi prekių ženklai yra atitinkamų savininkų nuosavybė.

Patentas: www.zoll.com/patents

Latviski (lv)

Modeļi IC-3893AE/8700-0782-40 un IC-3893CO/8700-0782-14

Icy® intravaskulārā siltumapmaiņas katetra komplektā ietilpst:

Daudzums	Apraksts
1 AE(CO)	Icy intravaskulārais siltumapmaiņas katetrs 9,3 frenči x 38 cm Trīszaru Luer savienotājs infūzijām Pagarinātājlīnijas skavas Rentgenkontrastaina ass Applause heparīna pārklājums
1 AE(CO)	Vadstīga 0,032 collas (0,81 mm) x 75 cm
1 AE(CO)	Asinsvadu pletējs 10,5 F x 0,038 collas (3,6 mm x 1,0 mm)
1 AE(CO)	Noņemama katetra fiksācijas sistēma
1 AE	18 ga x 2½ collu (1,3 mm x 63 mm) rentgenkontrastains OTN katetrs
1 AE	5 ml šļirce un 22 ga x 1½ collu (0,7 mm x 38 mm) adata
1 AE	Pārklājs ar lodziņu
1 AE	18 ga x 2¼ collu (1,3 mm x 70 mm) adata
6 AE	4 collu x 4 collu (10 cm x 10 cm) marles tamponi
1 AE	000 zīda diegs
1 AE	Ķirurģisks asmens Nr. 11 ar garu kātu

Piezīme – komplekta sastāvdaļas atbilst modelim

Katrs pamata modelis nopērkams ar standarta ievadīšanas palīgkomplektu (AE) vai bez standarta ievadīšanas palīgkomplekta (CO). Abiem komplektiem kopīgās sastāvdaļas iepriekšējā tabulā apzīmētas ar AE(CO). Tikai standarta komplekta papildu sastāvdaļas apzīmētas ar AE.

Ierīces apraksts

Icy intravaskulārais siltumapmaiņas katetrs ("Icy katetrs" vai "katetrs") ir sterils un elastīgs vienreizējas lietošanas 9,3 F katetrs, kas paredzēts ievietošanai apakšējā dobajā vēnā, to ievadot pa ciskas vēnu. Icy katetrs ir jāpievieno vienreizējas lietošanas ZOLL® sākuma komplektam un Coolgard® vai Thermogard® grupas pultij ("pultij") (viss piegādāts atsevišķi). Icy katetra ievadīšanai zem ādas nepieciešams pletējs un vadstīga. Infūzijām un paraugu ņemšanai paredzēti Luer porti.

Infūzijas ports	Plūsmas ātrums	Uzpildes tilpums
Distālais (brūns)	1700 ml/h	0,5 ml
Mediālais (balts)	900 ml/h	0,4 ml
Proksimālais (zils)	1200 ml/h	0,4 ml

Katetra virsmas, kas saskaras ar asinīm (gals, balons un korpus), ir apstrādātas ar antitrombotisku Applause heparīna pārklājumu.

Sterilitāte

Sterilizēts ar etilēna oksīdu. Katetrs ir sterils un paredzēts lietošanai tikai vienreiz, to nedrīkst sterilizēt atkārtoti. Pirms lietošanas jāpārbauda iesaiņojums, lai pārliecinātos, ka nav bojāta sterilitātes barjera.

Glabāšana

Glabāt vēsā, sausā vietā. Izvairieties no sasaldēšanas un pārmērīga karstuma.

Paredzētā lietošana

Icy katetrs kombinācijā ar Coolgard vai Thermogard sistēmu nodrošina noteiktas temperatūras fizioloģiskā šķidruma cirkulāciju cauri siltummaiņim, lai atdzēsētu/atkārtoti sasildītu asinis pacientiem, kam pieļaujama centrāla pievada ievietošana. Maksimālais izmantošanas ilgums: 4 dienas.

Kontrindikācijas

1. Katetra lietošanas riski ir tādi paši kā centrālajam pievadam. Katetru nedrīkst izmantot pacientiem, kam centrālā pievada ievietošana nav indicēta.
2. Hemorāģiskā diatēze.
3. Aktīva sepse.
4. Infekcija vai aktīva asiņošana katetra ievadīšanas vietā.
5. Pacienti bez pieejas asinsrites sistēmai vai asinsrites sistēma, kas nepieņems katetru, kā arī pacienti ar dobās vēnas filtriem vai citiem implantētiem šķēršļiem katetra ceļā.
6. Pacienti, kam nav iespējams nodrošināt nepieciešamo temperatūras kontroli.
7. Hipotermija ir kontrindicēta pacientiem ar hematoloģiskām slimībām, ko hipotermija pastiprinās (proti, slimībām, kas izraisa krioglobulinēmiju; hemoglobīnopātiju, kad aukstums var izraisīt hemolītisku anēmiju, piemēram, sirpjveida šūnu slimība vai talasēmija).
8. Nav paredzēts izmantošanai pediatrijā un neonatoloģijā.

Brīdinājumi, piesardzības pasākumi, nevēlamas blakusparādības

Centrālo vēnu katetrizācija atļauta tikai labi apmācītiem speciālistiem, kas labi pārzina anatomiskās robežas un drošas metodes. Speciālistiem jābūt informētiem arī par iespējamajām komplikācijām.

BRĪDINĀJUMS

Katetrs jāievieto tikai pa ciskas vēnas pieeju. Katetru nedrīkst ievietot labajā priekškambarī vai labajā kambarī. Katetra ievietošana labajā priekškambarī vai labajā kambarī var izraisīt smagas traumas pacientam vai pacienta nāvi.

Lietošanai tikai vienreiz. Izstrādājums paredzēts lietošanai tikai vienreiz. Nesterilizēt un nelietot atkārtoti. No pacienta izņemto katetru nedrīkst ievadīt atpakaļ. Katetru nekādā veidā nedrīkst pārveidot.

Atkārtota vienreizlietojamo ierīču lietošana rada šeit minētos un citus riskus.

- Potenciāla dzīvībai bīstama infekcija.
- Toksisks šoks materiālu degradācijas dēļ.
- Paaugstināts trombozes risks.
- Pavājināta siltummaiņas spēja.
- Ierīces atteices.

BRĪDINĀJUMS. Icy katetru un sākuma komplektu var nepareizi savienot ar citām ierīcēm, kam ir šauri kanāla savienotāji. Šādas savienošanas kļūdas var izraisīt traumas pacientam vai pacienta nāvi.

Uzmanību! Pielāgotie Luer savienotāji, kas ir katetram un sākuma komplektam, var samazināt nepareizas savienošanas risku, taču tos tik un tā var nepareizi savienot ar medicīniskām ierīcēm šādiem īpašiem lietojumiem: elpināšanas sistēmām un nesējgāzu pievadīšanai, gastroenteroloģijā, uroloģijā, asinsspiediena mērīšanai uz ekstrēmītātēm, neiroaksiālajai anestēzijai, intravaskulāram vai zemādas lietojumam. Vienmēr ievērojiet piesardzību, ZOLL katetrus un sākuma komplektus savienojot ar šiem un citiem lietojumiem paredzētām medicīniskām ierīcēm.

Uzmanību! Pārliecinieties, vai Icy katetrs un/vai sākuma komplekts nav savienoti ar intravenozas ievades vai citu medicīnisku ierīci.

- Katetrs jānovieto tā, lai tā distālais gals atrastos apakšējā dobajā vēnā zem tās savienojuma ar labo priekškambari un paralēli asinsvada sienīņai. Lai pārliecinātos, ka katetrs neatrodas labajā priekškambarī vai kambarī, veicams rentgenizmeklējums.
- Uzmanību!** Ja fizioloģiskā šķidruma kontūrā ir redzamas asinis, pārtrauciet procedūru un veiciet katetra noplūdes pārbaudi.
- Centrālie vēnu katetri var izraisīt šādas komplikācijas: priekškambara vai kambara perforācija, sirds tamponāde, gaisa embolija, katetra embolija, krūšu limfvada lacerācija, bakterēmija, septicēmija, tromboze, nejauša artērijas punkcija, hematomas veidošanās, asiņošana, nervu bojājums un disritmija.
- Visi Luer-Lock savienojumi un apvalki kārtīgi jāaizver, lai novērstu gaisa emboliju vai šķidrums vai asins zudumu.
- Katetru vai vadstīgu nekādā gadījumā nedrīkst pārvietot ar pārmērīgu spēku. Jūtot pretestību, jāveic rentgenizmeklējums, lai noteiktu pretestības cēloni.
- Vadstīgas nokļūšana sirds labajā daļā var izraisīt disritmiju, labā zara blokādi, kā arī asinsvada, priekškambara vai kambara perforāciju.
- Katetra uzpildīšanai izmantojams tikai sterils fizioloģiskais šķidrums. Tas ir katetrā cirkulējošais šķidrums.
- Katetrs regulāri jāpārbauda, lai pārliecinātos gan par plūsmas ātrumu un pārsejuma drošumu, gan arī par to, vai katetrs atrodas pareizajā vietā un vai Luer-Lock savienojumi ir droši. Lai pārbaudītu, vai katetra stāvoklis nav mainījies, izmantojamās centimetru atzīmes. Ar daudzu lūmenu balonkatetriem saistīts risks ir zāļu neizmantošana, piemēram, zāļu neievadīšana pa infūziju lūmeniem.
- Tikai rentgenizmeklējums var apliecināt, ka katetra gals nav nokļuvis sirdī un vēl aizvien atrodas paralēli asinsvada sienīņai. Ja katetra stāvoklis ir mainījies, veic rentgenizmeklējumu, lai apstiprinātu katetra gala atrašanās vietu.
- Lai paņemtu asins paraugu, uz laiku atslēdz pārējos infūziju portus, caur kuriem tiek ievadīts šķidrums.
- Asins parauga ņemšanai izmanto tikai 30 ml vai mazāku šļirci.
- Spirts un acetons var vājināt korpusa materiāla struktūru. Tāpēc, ievadot spirtu saturošas zāles un izmantojot spirtu un acetonu, lai veiktu katetra parasto apkopi, jārikojas piesardzīgi. Katetra atīrīšanai no recekļiem nedrīkst izmantot spirtu.
- Lai katetru nesabojātu, izmanto tikai ZOLL katetra fiksācijas sistēmu no komplekta.
- Izmantojot šļirci, kuras tilpums nepārsniedz 10 ml, lai skalotu vai atbrīvotu no recekļiem katetru, var izraisīt noplūdes lūmeņos vai katetra plūsumu.
- Infūzijām nedrīkst izmantot oranžo IN (ieplūdes) un OUT (aizplūdes) Luer-Lock savienojumu, jo tad terapeitiskais process nenotiks.
- Drudzis ir iespējama infekcijas pazīme, tā mazināšanai ik dienu ļoti rūpīgi jānovērtē citas infekcijas pazīmes.
- Ievadot zāles, ko var ietekmēt zema temperatūra (piemēram, 4 °C), jārikojas piesardzīgi. Mannītu saturoši šķidrumi ātri reaģē uz temperatūras maiņu, tos nedrīkst ievadīt caur katetru, izņemot gadījumu, kad strauji ievada līdz 20% mannīta šķidrumu, un pēc tam skalo ar fizioloģisko šķidrumu. Lai pa pilienam vai ar infūziju sūkni ievadītu mannīta šķidrumu, kura koncentrācija pārsniedz 20%, jālieto atsevišķa līnija.
- Sirds tamponāde. Pastāvīgo katetru ievietošana labajā priekškambarī ir prakse, kuras sekas var būt sirds perforācija un tamponāde. Mediķiem, kas ievada centrālo venozo katetru, ir jāzina par šo potenciāli letālo komplikāciju, lai neievadītu katetru pārāk tālu, salīdzinot ar pacienta ķermeņa izmēru. Pastāvīgā katetra gala atrašanās vieta pēc ievietošanas ir jāpārbauda, veicot rentgenizmeklējumu. Centrālās vēnu katetrus nedrīkst ievietot labajā priekškambarī, izņemot gadījumu, ja tie ir īpaši nepieciešami specifiskām, relatīvi tsām procedūrām, piemēram, gaisa embola aspirācijai neiroķirurģiskas operācijas laikā. Tomēr šādas procedūras ir riskantas, tās rūpīgi jānovēro un jākontrolē.

- Katetrs ir klāts ar heparīnu. Tas var izraisīt vai saasināt iepriekšēju heparīna ierosinātu trombocitopēniju (HIT).
- BRĪDINĀJUMS.** Kad infūziju kompleksu/injekciju sistēmas pieslēdz katetram, nedrīkst pārsniegt 100 psi/689 kPa.
- Ķermeņa temperatūras pazemināšana pacientiem – hipotermija var saasināt slimību stāvokļus. Hipotermijas laikā rūpīgi jākontrolē pacienta homeostāze.
 - Sirds ritma traucējumi – gan bradikardija, gan kambaru tahiaritmija.
 - Asinsreces un koagulācijas funkcijas. Pacienti ar asinsreces vai koagulācijas funkciju traucējumu risku hipotermijas laikā rūpīgi jānovēro.
 - Asins gāzu un pH analīze. Hipotermija izmaina miera pH un PaCO₂. Ārstiem ir jāzina par šādu temperatūras iedarbību uz analīžu rezultātu.
 - Ilgstoša hipotermija nomāc imūno atbildreakciju un plaušu funkciju.

BRĪDINĀJUMS. Intralumināla vai balona noplūde. Intralumināla noplūde (starp fizioloģiskā šķidruma un infūziju lūmeniem) vai balona noplūde var izraisīt katetra atteici. Šādas atceces gadījumā pacientam ievada sterilu fizioloģisko šķidrumu no dzesēšanas kontūra. Intralumināla noplūde vai balona noplūde parasti saistīta ar šķidrums zuduma trauksmi, kad fizioloģiskā šķidruma maiss ir iztukšots un aptur sistēmu. **Šķidrums līmeņa trauksmes ir jāpārbauda vienmēr.** Dzesēšanas kontūrs ir slēgtas cilpas sistēma – šķidrums zuduma trauksmes parasti liecina par pārtraukumu kaut kur šajā slēgtajā cilpā. Šķidrums zuduma trauksmes gadījumā vienmēr jāpārbauda gan katetra, gan sākuma komplekta integritāte (norādījumi tālāk tekstā).

BRĪDINĀJUMS. Ja ievērojot iztukšotu fizioloģiskā šķidruma maisu vai gaisa uztvērēja trauksmi, nomainiet fizioloģiskā šķidruma maisu pirms noplūdes vietas konstatēšanas un atbilstošu novēršanas pasākumu veikšanas. Pārbaudiet, vai nav sistēmas noplūžu, atbilstīgi norādījumiem sadaļās Sākuma komplektā noplūdes pārbaude un Katetra noplūdes pārbaude. (Nemiet vērā, ka noplūde var būt gan ārēja, gan iekšēja.)

Atkārtota fizioloģiskā šķidruma maisa nomaiņa, neizpētot noplūdes vai fizioloģiskā šķidruma zuduma iemeslu, var izraisīt netīšu fizioloģiskā šķidruma infūziju pacientam. Fizioloģiskā šķidruma infūzija var izraisīt šādas nevēlamās blakusparādības: lokāls pietūkums, kas var izraisīt secīgu audu bojājumu; sistēmiska šķidrums pārslodze, kas var izraisīt atkarīgu tūsku un secīgus ādas bojājumus; iekšējo orgānu šķidrums pārslodze ar secīgu smadzeņu, plaušu vai sirds pārslodzi. Dažos gadījumos šāda šķidrums pārslodze var apdraudēt dzīvību.

Uzmanību! Kad fizioloģiskā šķidruma maiss ir tukšs, pulsts atskaņo trauksmes signālu. Maisam ir jābūt pilnīgi tukšam un papildu fizioloģiskajam šķidrumam starp fizioloģiskā šķidruma maisa smaili un gaisa uztvērēju ir jābūt izteicējamam, lai fizioloģiskā šķidruma līmenis gaisa uztvērējā būtu pietiekami zems trauksmes signāla iedarbināšanai.

Sākuma komplektā noplūdes pārbaude

- Pārbaudiet, vai gaisa uztvērējā nav kondensāta. Ja gaisa uztvērējā redzamas kondensāta pazīmes, izslaukiet gaisa uztvērēju un ievietojiet to atpakaļ pultī. Gaisa uztvērēja trauksmes gadījumā pārbaudiet, vai pēc šīs darbības veikšanas tiek nodzēsta trauksme.
- Rūpīgi pārbaudiet, vai nav noplūžu fizioloģiskā šķidruma ceļā no fizioloģiskā šķidruma maisa līdz pultij. Pārbaudiet, vai uz grīdas, pulsts vai pacienta gultas nav fizioloģiskā šķidruma.
- Ja uz grīdas, pulsts vai pacienta gultas ir fizioloģiskais šķidrums, pārbaudiet, vai Luer savienotājs uz katetra un sākuma komplekts nav iepļisījis vai bojāts un vai savienojumi ir pietiekami cieši, lai novērstu noplūdes.
- Ja konstatējat sākuma komplekta noplūdi, nomainiet sākuma komplektu un pārliecinieties, vai arī katetrā nav noplūdes.
- Ja sākuma komplektā nav noplūdes, tā, visticamāk, ir katetrā. Turpiniet izpēti.

Katetra noplūdes pārbaude

1. No katetra atvieno sākuma komplektu. Ar aseptisku metodi kārtīgi uzliek uzgaļus gan katetram, gan sākuma komplektam.
2. Sterilu 10 ml šļirci ar bīdāmu uzgali piepildiet ar sterilu fizioloģisko šķīdumu.
3. Šļirci pievieno katetra IN (ieplūdes) Luer savienotājam un noņem OUT (aizplūdes) uzgali. Ievadiet 10 ml fizioloģiskā šķīduma – fizioloģiskajam šķīdumam jāizplūst no OUT (aizplūdes) Luer savienotāja. Ja fizioloģiskais šķīdums neizplūst no OUT (aizplūdes) Luer savienotāja, tas norāda uz katetra noplūdi.
4. Uzliek uzgali OUT (aizplūdes) Luer savienotājam un atsūc 5 ml vakuuma. To saglabā vismaz 10 sekundes. Šļircē jānokļūst līdz 4 ml fizioloģiskā šķīduma (bez asiņīm), turklāt ir jāspēj saglabāt vakuumu. Ja šļircē redzamas asiņu pēdas vai nav iespējams saglabāt vakuumu, tas norāda uz katetra noplūdi.
5. Ja atrodat noplūdi katetrā, nomainiet katetru.
6. Nomainiet fizioloģiskā šķīduma maisu un atkārtoti uzpildiet sākuma komplektu.
7. Raugieties, lai Luer savienotāji ar sākuma komplektu ir cieši pievilkti, novēršot noplūdi, un turpiniet terapiju.

Nepieciešamie materiāli

Daudzums	Apraksts
1	Icy katetra komplekts perkutānai ievadīšanai
1	500 ml maiss ar sterilu fizioloģisko šķīdumu (nav komplektā) Sākuma komplekts (piegādā atsevišķi)
1	• 6 pēdu (183 cm) standarta caurulīte vai • 9 pēdu (274 cm) pagarinātā caurulīte
1	Coolgard vai Thermogard pults (piegādā atsevišķi)
1	Katetra palīgpiederumu komplekts [tikai (CO)]
1	YSI-400 temperatūras zonde (nav komplektā)

Katetra sagatavošana un ievadīšana

Piezīme. Katetra rentgenkontrastainā marķiera josla, skatoties rentgenstaru iekārtā, palīdz identificēt katetra ievadīšanas laikā un pēc tās. Proksimālā balona proksimālajā galā ir viena marķējošā josla. Lai katetra gals būtu rentgenkontrastains, tas satur bārija sulfātu.

Izmanto sterilu metodi.

Uzmanību! Šā katetra IN (ieplūdes) un OUT (aizplūdes) Luer-Lock savienotāji ir speciāli ražoti sadaļā "Nepieciešamie materiāli" norādītajiem sākuma komplektiem, un tos ir paredzēts savienot tikai ar tiem.

Katetra sagatavošana

1. Pacientu novieto guļus uz muguras.
2. Punkcijas vietu sagatavo un attiecīgi pārklāj.
3. Katetru uzmanīgi izņem no iesaiņojuma, katetru pārklājošo membrānu nenoņem.
4. No IN (ieplūdes) un OUT (aizplūdes) Luer savienotājiem noņem uzgaļus. Katetra apvalku atstāj nenoņemtu, šļircē (5 ml vai lielākā) iepilda sterilu fizioloģisko šķīdumu un šļirci piestiprina sievišķajam IN (ieplūdes) Luer savienotājam.
BRĪDINĀJUMS. Nekādā gadījumā nedrīkst injicēt pozitīvu spiedienu IN (ieplūdes) Luer savienotājā, ja OUT (aizplūdes) Luer savienotājam ir uzlikts uzgali.
5. Caur katetru uzmanīgi injicē fizioloģisko šķīdumu, līdz tas sāk izplūst no OUT (aizplūdes) Luer savienotāja.

6. Distālo, proksimālo un mediālo infūziju Luer savienotāju, izmantojot 5 ml vai lielāku šļirci, izskalo ar sterilu fizioloģisko šķīdumu. Proksimālo un mediālo infūziju Luer savienotāju aizspiež ar skavu vai noslēdz ar injekciju uzgaļiem. Distālo Luer savienotāju atstāj vaļā vadstīgas ievadīšanai.

Uzmanību! Pirms katetra ievadīšanas pacientā vienmēr uzpilda katetra infūziju Luer savienotājus.

7. Noņem katetru pārklājošo membrānu. Ja pārklājošās membrānas noņemšanā no katetra jūtama pretestība, pārklājošo membrānu izskalo ar sterilu fizioloģisko šķīdumu. Pārbauda katetru, lai pārliecinātos, ka no siltummaiņa membrānas izvadīts gaiss. Pārbauda, vai katetram nav noplūžu.

Uzmanību! Pārklāto katetru nedrīkst pārmērīgi slaucīt. Katetru nedrīkst slaucīt ar sausu marli, jo tādējādi var sabojāt katetra pārklājumu. Katetra pirmapstrādei nedrīkst izmantot spirtu, antiseptiskus šķīdumus vai citus šķīdinātājus, jo tādējādi var rasties neparedzamas pārklājuma izmaiņas, kas var ietekmēt ierīces drošumu un darbību.

BRĪDINĀJUMS. Katetru nedrīkst griezt, lai mainītu tā garumu.

Katetra ievietošana

BRĪDINĀJUMS. Izmantojama tikai pieeja caur ciskas vēnu.

1. Pieeju gūžas vēnai izveido ar standarta zemādas metodi. Pieeja uzturama ar 0,032 collu (0,81 mm) vadstīgu. Skatīt sadaļu "Vadstīgas lietošanas pamācība".

BRĪDINĀJUMS. Nedrīkst mēģināt no jauna ievadīt OTN (over the needle – pa adatu ievadāmu) ievadītājadatu, kas daļēji vai pavisam izvilktā no tās katetra.

Uzmanību! Lietojot katetru, nedrīkst izmantot vadstīgu, kuras izmērs pārsniedz 0,032 collas (0,81 mm).

2. Turot vadstīgu, lai tā neizkustētos, izņem ievadītājkatetru.

Uzmanību! Vadstīga vienmēr jātur cieši.

3. Punkcijas vietu ādā paplašina ar skalpeļa aso šķautni, kas pavērsta prom no vadstīgas.

BRĪDINĀJUMS. Vadstīgu nedrīkst griezt. Lai pēc vajadzības paplašinātu vietu, izmanto asinsvadu pletēju. Lai mazinātu iespējamu asinsvadu sienu perforācijas risku, asinsvadu pletēju nedrīkst atstāt pastāvīgā katetra vietā.

4. Katetra galu uzvelk pāri vadstīgai. Katetra ievadīšanas laikā vadstīga pastāvīgi jātur pietiekami cieši. Katetra galu satverot pie ādas, virza to vēnā. Pirkstus novietojot proksimāli no balona, katetru turpina virzīt pa vadstīgu.

5. Kā novietojuma atsaucis punktu izmantojot centimetru atzīmes uz katetra, to virza līdz vismaz minimālās atzīmes skaitlim, lai nodrošinātu proksimālā infūziju porta atrašanos asinsvadā.

6. Turot katetru nepieciešamajā dziļumā, izvelk vadstīgu. Ja pēc katetra ievietošanas, mēģinot izvilkt vadstīgu, rodas pretestība, vadstīga, iespējams, ir savijusies katetra galā. Ja jūtama pretestība, katetru izvelk par apmēram 2–3 cm attiecībā pret vadstīgu un mēģina izvilkt vadstīgu. Ja pretestība atkārtojas, vadstīgu izvelk reizē ar katetru.

Uzmanību! Vadstīgu nedrīkst pakļaut pārmērīgam spēkam.

7. Pēc izvilšanas pārliecinās, ka vadstīga ir vesela.

8. Katetra izvietošanu pārbauda, distālajam infūziju Luer savienotājam pievienojot šļirci un atsūcot saturu, līdz vērojama brīva venozo asiņu plūsma. Infūziju Luer savienotāju pēc vajadzības pievieno pareizajai Luer-Lock savienojuma līnijai. Nelietoto infūziju portu var slēgt, izmantojot injekciju uzgali, saskaņā ar slimnīcas standarta protokolu. Uz caurulītes ir slīdoša skava, lai noslēgtu plūsmu cauri infūziju Luer savienotājam, kamēr tiek nomainīta līnija vai injekciju uzgali.

Uzmanību! Lai pārmērīga spiediena dēļ nesabojātu caurulītes, skava jāatver pirms šķīdumu ievadīšanas cauri Luer savienotājam.

Uzmanību! IN (ieplūdes) un OUT (aizplūdes) līnijas aizspiest vai noslēgt nedrīkst. Tas var nosprostot līniju un izraisīt atteici.

9. Ievadīšanas vietu un katetru nostiprina un uzliek pagaidu pārsēju.
10. Krūškurvja rentgenizmeklējumā tūlīt pēc ievietošanas pārbauda katetra gala atrašanās vietu. Rentgenizmeklējumā jābūt redzamam katetram, kas atrodas apakšējā dobajā vēnā ar distālo galu paralēli dobās vēnas sienīgai. Ja katetra gals novietots nepareizi, to pārvieto un pārbauda vēlreiz.
11. Proksimālais rentgenkontrastainais marķējums norāda balona proksimālo galu. Balonam pilnībā jāatrodas asinsvadā. Ja katetrs novietots nepareizi, to pārvieto un pārbauda vēlreiz.
12. Katetru nostiprina pie pacienta. Lai mazinātu katetra migrēšanas risku, kā primāro šuvju vietu izmanto fiksācijas sistēmas sānu spārnus.
13. Kā papildu stiprinājuma vietu var izmantot arī ZOLL katetra fiksācijas sistēmu. Pārliecinās, ka katetra korpusu novietots droši un neslīd.

Uzmanību! Drīkst lietot tikai ZOLL katetra fiksācijas sistēmu un komplektu. Lietojot citus katetru fiksētājus, katetru var sabojāt.

Uzmanību! Lai mazinātu katetra pārgriešanas vai sabojāšanas risku un netraucētu plūsmu tajā, šuvi nedrīkst likt tieši pie katetra ārējā diametra.

14. Punkcijas vietu pārsien saskaņā ar slimmīcas protokolu. Ievadīšanas vieta uzturama, ar aseptisku metodi to regulāri un ļoti rūpīgi pārsienot.
15. Pacienta kartē ieraksta pastāvīgā katetra garumu, par atsauci izmantojot centimetru atzīmes uz katetra korpusa. Lai pārliecinātos, ka katetrs nav izkustējies, tas regulāri jāapskata.
16. Uzplūdi sākuma komplektu pievieno katetram. Sākuma komplekta vīrišķo Luer savienotāju iesprauž katetra sievišķajā IN (ieplūdes) Luer savienotājā (apzīmēts ar "IN"). Sākuma komplekta sievišķo Luer savienotāju uzsprauž katetra vīrišķajam OUT (aizplūdes) Luer savienotājam (apzīmēts ar "OUT"). Lai vieglāk atšķirtu IN (ieplūdes) un OUT (aizplūdes) pagarinātājcaurulītes, tām vaļīgi pievienotas baltas "ZOLL" birkas.

Piezīme. Sākuma komplekta IN (ieplūdes) un OUT (aizplūdes) Luer savienotāji ir paredzēti tikai savienošanai ar katetra IN (ieplūdes) un OUT (aizplūdes) Luer savienotājiem, un tie nav paredzēti savienošanai ar standarta Luer Lock šļircēm. Tām ir speciāli ZOLL stiprinājumi, kas viegli atpazīstami pēc oranžās krāsas.

17. Pārliecinās, ka Luer savienotāju galos ir pietiekami daudz sterila fizioloģiskā šķīduma bezgaisa savienojuma nodrošināšanai. Skatīt lietošanas rokasgrāmatā.

BRĪDINĀJUMS. Ja neizdodas sākuma komplektu pievienot katetram pareizi, iespējama katetra atteice. Sākuma komplekta (oranžos) Luer savienotājus nedrīkst pievienot zilajam, baltajam un brūnajam Luer savienotājam.

Uzmanību! Sākuma komplektu nedrīkst pievienot distālajam portam.

Uzmanību! Līniju nedrīkst aprīkot ar noslēgkrāniem, ko iespējams nejauši noslēgt. Tas var nosprostot līniju un izraisīt atteici.

18. Fizioloģisko šķīdumu sūknē cauri sākuma komplektam un katetram, lai pārliecinātos, ka visi savienojumi ir cieši un nav noplūžu. Ļauj, lai sistēmā atlikušais gaiss izspiežas laukā, kā aprakstīts lietošanas rokasgrāmatā.

Katetra atvienošana no pults

1. Pārtrauc fizioloģiskā šķīduma cirkulāciju katetrā.
2. No katetra atvieno sākuma komplektu.
3. Lai saglabātu savienojumu sterilitāti, ar steriliem Luer uzgaļiem nekavējoties noslēdz gan katetra, gan sākuma komplekta Luer savienotājus vai savieno IN (ieplūdes) un OUT (aizplūdes) Luer savienotājus.

Katetra pievienošana pultij

1. No katetra un sākuma komplekta Luer savienotājiem noņem Luer uzgaļus. Izmet Luer uzgaļus vai vienu no otra atvieno IN (ieplūdes) un OUT (aizplūdes) Luer savienotāju.
2. Katetram pievieno sākuma komplektu. Sākuma komplekta vīrišķo Luer savienotāju iesprauž katetra sievišķajā IN (ieplūdes) Luer savienotājā. Sākuma komplekta sievišķo Luer savienotāju uzsprauž katetra vīrišķajam OUT (aizplūdes) Luer savienotājam. Sākuma komplekta un katetra IN (ieplūdes) un OUT (aizplūdes) Luer savienotāji ir oranžā krāsā. Pārliecinās, ka Luer savienotāju galos ir pietiekami daudz sterila fizioloģiskā šķīduma bezgaisa savienojuma nodrošināšanai.

BRĪDINĀJUMS. Ja neizdodas sākuma komplektu pievienot katetram pareizi, iespējama katetra atteice.

BRĪDINĀJUMS. Standarta centrālās līnijas infūziju portiem nedrīkst izmantot IN (ieplūdes) un OUT (aizplūdes) Luer stiprinājumus. Tie paredzēti pievienošanai tikai pie Coolgard vai Thermogard pults. Sākuma komplekta IN (ieplūdes) un OUT (aizplūdes) Luer savienotāji sader tikai ar katetra IN (ieplūdes) un OUT (aizplūdes) Luer savienotājiem. Tām ir speciāli ZOLL stiprinājumi, kas viegli atpazīstami pēc oranžās krāsas.

Uzmanību! Līniju nedrīkst aprīkot ar papildu noslēgkrāniem, ko iespējams nejauši noslēgt. Tas var nosprostot līniju un izraisīt atteici.

Katetra noņemšana

1. Pārtrauc fizioloģiskā šķīduma sūkņēšanu cauri katetram.
2. No katetra atvieno sākuma komplektu. **Noņem uzgaļus no katetra IN (ieplūdes) un OUT (aizplūdes) Luer savienotājiem vai atstāj tos vaļā.** Tas ļaus atlikušajam fizioloģiskajam šķīdumam izplūst no kontūra. Izņemot katetru, baloni tiek saspiesti. Fizioloģiskajam šķīdumam brīvi jāizplūst no balona, pretējā gadījumā balons nesaplaks, apgrūtinot katetra izņemšanu.
3. Vai arī katetra IN (ieplūdes) Luer savienotājam pievieno 20 vai 25 ml šļirci. Atsūc un 15 sekundes saglabā vakuumu, lai atlikušais fizioloģiskais šķīdums no katetra balona daļas izplūstu pirms katetra izņemšanas.
4. Pacientu novieto guļus uz muguras. Noņem pārsēju. No šuvju vietas noņem šuves.

BRĪDINĀJUMS. OUT (aizplūdes) Luer savienotājam neuzliek uzgali.

5. Katetru lēnām izvelk no pacienta. Kad katetrs izvilts, ievadīšanas vietai piespiež gaisu necaurlaidīgu pārsēju (piemēram, ar vazelīnu piesūcinātu marli).

BRĪDINĀJUMS. Ja jūtama pretestība, katetru nepārvieto. Pārbauda, vai dzesēšanas kontūra IN (ieplūdes) un OUT (aizplūdes) Luer savienotāju uzgaļi ir NONEMTI. Ja uzgaļi nav noņemti, tos noņem, iztukšo balonu un vēlreiz mēģina izvilkt katetru. Ja vēl arvien jūtama pretestība, jāveic rentgenizmeklējums, lai noteiktu pretestības cēloni.

Informācija par MRA drošumu



Drošs MR vidē, ievērojot noteiktus nosacījumus

Icy intravaskulārais siltumapmaiņas katetrs ir drošs MR vidē, ievērojot noteiktus nosacījumus. Pacientu ar šo katetru var droši skenēt, ievērojot tālāk norādītos nosacījumus. Neievērojot šos nosacījumus, var tikt ievainots pacients.

Parametrs	Nosacījums
Statiskā magnētiskā lauka nominālās vērtības (T)	1,5 T un 3,0 T
Maksimālais telpiskais lauka gradients (T/m un gausi/cm)	40 T/m (4000 gausi/cm)
RF ierosināšanas veids	Cirkulāri polarizēta (CP) (t.i., kvadrātiski virzīta)
Pārraides spoles informācija	Nav ierobežojumu attiecībā uz pārraides spoli. Attiecīgi iespējams lietot šādas spoles: ķermeņa pārraides RF spole un jebkādu citu RF spoļu kombinācijas (t.i., ķermeņa RF spole kopā ar jebkuru tikai uztveršanai paredzētu RF spoli, pārraides/uztveršanas galvas RF spole, pārraides/uztveršanas ceļa RF spole utt.)

Parametrs	Nosacījums
MR sistēmas darbības režīms	Normālais darbības režīms
Maksimālais visa ķermeņa vidējotais SAR	2 W/kg (normālā darbības režīmā)
Skenēšanas ilguma ierobežojums	Visa ķermeņa vidējotais SAR 2 W/kg 60 minūtēm pastāvīgas RF ekspozīcijas (t.i., katrā impulsu sekvencē vai secīgās sekvencēs/sērijās bez pārtraukuma)
MR attēla artefakts	Šis implants rada attēla artefaktu. Tāpēc, ja implants atrodas interesējošā zonā, rūpīgi atlasiet impulsu sekvences parametrus.
BRĪDINĀJUMS	ZOLL Coolgard un Thermogard pultis MR vidē nav drošas, un tāpēc šīm pultīm nav atļauts atrasties MR sistēmas telpā. Tāpēc pirms pacienta pārvietošanas uz MR sistēmas telpu katetram jābūt atvienotam no pults.

Vadstīgas lietošanas pamācība

Piezīme. Šī informācija attiecas tikai uz vadstīgu izmantošanu katetru ievietošanai asinsvadu sistēmā ar Seldingera metodi.

Brīdinājumi

Piegādātā vadstīga paredzēta lietošanai tikai vienreiz. Nesterilizēt un nelietot atkārtoti. No pacienta izņemto katetru nedrīkst ievadīt atpakaļ.

Ja ievadīšanas vai izņemšanas laikā rodas pretestība, vadstīgas virzīšana jāpārtrauc. Fluoroskopiski nosaka cēloni un attiecīgi rīkojas.

Virzot vadstīgu cauri stentam, jārikojas īpaši piesardzīgi. Vadstīgas lietošana asinsvados ar stentiem rada papildu risku pacientam.

Piesardzības pasākumi

Vadstīgu nedrīkst izvilkst caur metāliskām adatām, jo vadstīga var saplīst.

Tā kā vadstīgas ir smalkas un trauslas, ar tām jārikojas īpaši piesardzīgi. Tās nedrīkst ne saliekt, ne savīt. Nedrīkst izmantot bojātas vadstīgas.

Glabāšanas vai procedūru laikā vadstīgu nedrīkst satīt ritulī, kura diametrs ir mazāks par 8 collām (20,32 cm), jo mazāks diametrs nevaradzīgi nosprīgo vadstīgu un var izraisīt tās samezģlošanos. Izdales rīks no komplekta ir labākais līdzeklis vadstīgas glabāšanai un darbam ar to.

Ārā jāpaliek pietiekami lielai vadstīgas daļai, lai to vienmēr varētu kārtīgi noturēt.

Izdales rīks

Katrai vadstīgai ir pievienots izdales rīka iepakojums, kas ievietots Tyvek maisiņā. Vadstīgu izņem no Tyvek maisiņa. Vadstīgas aizsarguzgali noņem tieši pirms tās lietošanas. Pirms ievadīšanas vadstīgu sagatavo. Vadstīgas izdales rīku ieteicams uzpildīt ar heparinizētu šķīdumu (piem., fizioloģisko šķīdumu vai dekstrozi), lai ievadīšanas laikā vadstīga tiktu izskalota.

“J” formā izliektā vadstīga atjaunos formu, tiklīdz tiks izņemta no izdales rīka.



1. Vadstīgas aizsarguzgalis

Pārbaude

Vadstīgu pirms lietošanas pārbauda; ja redzami bojājumi, vadstīgu izmet. Vadstīgas ievadīšanai ierasti jānotiek rentgena vai fluoroskopijas kontrolē.

Metode

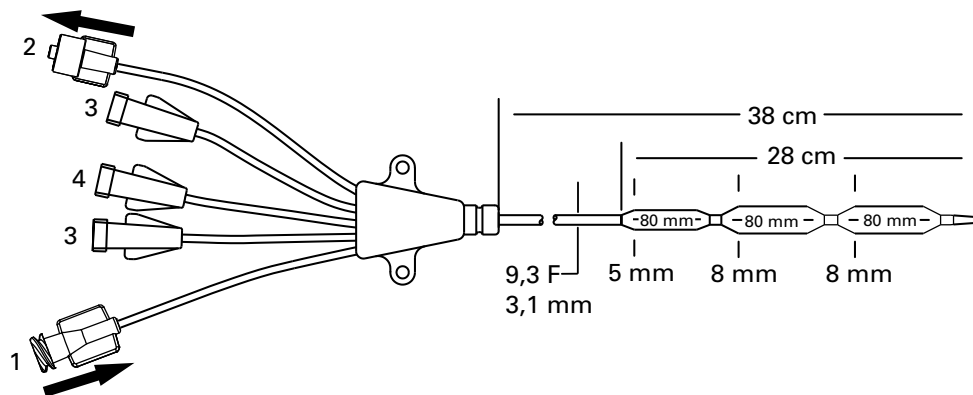
1. Pārdur asinsvadu.
2. Vadstīgu ievada adatas mezglā, pēc tam 5–10 cm vadstīgas uzmanīgi ievada perforētajā asinsvadā. Vadstīgu virza uz paredzēto vietu.

Uzmanību! Lai nesabojātu vadīklu un netraumētu asinsvadu, vadstīgu nedrīkst pārvietot pārāk asām vai enerģiskām kustībām.

3. No vadstīgas noņem adatu.
4. Izmantojot pletēju, vieglām, rotējošām kustībām papleš audus un asinsvadu.
5. Izņem pletēju (asinsvadu pletējs paredzēts tikai asinsvadu paplešanai).
6. Ievada katetru, slidinot to pa vadstīgu.
7. Izvelk vadstīgu.

Icy katetrs

1. IN (ieplūdes) Luer savienotājs
2. OUT (aizplūdes) Luer savienotājs
3. Infūziju porti
4. Distālais Luer savienotājs



©2024 ZOLL Medical Corporation. Visas tiesības paturētas. ZOLL un Icy ir prečzīmes vai reģistrētas prečzīmes, kas pieder uzņēmumam ZOLL Medical Corporation un/vai ZOLL Circulation Inc. Amerikas Savienotajās Valstīs un/vai citās valstīs. Visas prečzīmes ir attiecīgo īpašnieku īpašums.

Patenti: www.zoll.com/patents

Ελληνικά (el)

Μοντέλο IC-3893AE/8700-0782-40 & IC-3893CO/8700-0782-14

Το kit ενδοαγγειακού καθετήρα ανταλλαγής θερμότητας Icy® περιλαμβάνει:

Ποσότητα	Περιγραφή
1 ΑΕ(CO)	Ενδοαγγειακός καθετήρας ανταλλαγής θερμότητας Icy 9,3 French x 38 cm Τριπλό Luer έγχυσης Σφιγκτήρες γραμμής επέκτασης Ακτινοσκοπικός άξονας Με επικάλυψη ηπαρίνης Arplause
1 ΑΕ(CO)	Οδηγό σύρμα 0,81 mm (0,032") x 75 cm
1 ΑΕ(CO)	Αγγειακός διαστολέας 3,6 mm x 1,0 mm (10,5 F x 0,038")
1 ΑΕ(CO)	Αποσπώμενη γλωπίδα και κλιπ ράμματος
1 ΑΕ	Ακτινοσκοπικός καθετήρας επί της βελόνας (OTN, over the needle) 1,3 mm x 63 mm (18 G x 2½")
1 ΑΕ	Σύριγγα 5 cc και βελόνα 0,7 mm x 38 mm (22 G x 1½")
1 ΑΕ	Θυριδωτό ιμάτιο
1 ΑΕ	Βελόνα 1,3 mm x 70 mm (18 G x 2¾")
6 ΑΕ	Απορροφητικές γάζες 10 cm x 10 cm (4" x 4")
1 ΑΕ	Μεταξωτό ράμμα 000
1 ΑΕ	Χειρουργική λάμα αρ. 11, με μακριά λαβή

Σημείωση - Εξαρτήματα του kit ανά μοντέλο

Κάθε βασικό μοντέλο διατίθεται είτε με τυπικό kit υποστήριξης εισαγωγής (ΑΕ) είτε χωρίς το τυπικό kit υποστήριξης εισαγωγής (CO). Τα εξαρτήματα που είναι κοινά και για τα δύο kit επισημαίνονται ως ΑΕ(CO) στον παραπάνω πίνακα. Τα πρόσθετα εξαρτήματα που βρίσκονται μόνο στο τυπικό kit επισημαίνονται ως ΑΕ.

Περιγραφή διάταξης

Ο ενδοαγγειακός καθετήρας ανταλλαγής θερμότητας Icy («καθετήρας Icy» ή «καθετήρας») είναι ένας αποστειρωμένος, εύκαμπτος καθετήρας 9,3 F, μίας χρήσης, σχεδιασμένος για να τοποθετείται στην κάτω κοίλη φλέβα από ένα σημείο εισόδου στη μηριαία φλέβα. Ο καθετήρας Icy προορίζεται για σύνδεση σε ένα μίας χρήσης, αναλώσιμο kit έναρξης και στην οικογένεια κονσολών Coolgard® ή Thermogard® («κονσόλα») της ZOLL® (όλα παρέχονται ξεχωριστά). Για τη διαδερμική εισαγωγή του καθετήρα Icy απαιτείται ένας διαστολέας και οδηγό σύρμα. Διατίθενται τρεις Luer για έγχυση και δειγματοληψία.

Θύρα έγχυσης	Ρυθμός ροής	Όγκος αρχικής πλήρωσης
Περιφερική (καφέ)	1.700 ml/hr	0,5 cc
Μέση (λευκή)	900 ml/hr	0,4 cc
Εγγύς (μπλε)	1200 ml/hr	0,4 cc

Οι επιφάνειες επαφής του καθετήρα με το αίμα (άκρο, μπαλόνι και άξονας) υποβάλλονται σε επεξεργασία με αντιθρομβωτική επικάλυψη ηπαρίνης Arplause.

Στεριρότητα

Αποστειρωμένο με αιθυλενοξειδίο. Ο καθετήρας παρέχεται αποστειρωμένος για μία μόνο χρήση και δεν θα πρέπει να επαναποστειρώνεται. Η συσκευασία θα πρέπει να επιθεωρείται πριν από τη χρήση για να διασφαλιστεί ότι ο φραγμός στεριρότητας δεν έχει παραβιαστεί.

Φύλαξη

Φυλάσσετε σε δροσερό, στεγνό χώρο. Να αποφεύγεται η κατάψυξη και η υπερβολική θέρμανση.

Χρήση για την οποία προορίζεται

Ο καθετήρας Icy σε συνδυασμό με το σύστημα Coolgard ή Thermogard επιτρέπει την κυκλοφορία αλατούχου διαλύματος ελεγχόμενης θερμοκρασίας, διαμέσου ενός εναλλάκτη θερμότητας, για την ψύξη/επαναθέρμανση του αίματος του ασθενούς, σε ασθενείς για τους οποίους συντρέχουν βάσιμοι κίνδυνοι από τη χρήση κεντρικής γραμμής. Μέγιστη περίοδος χρήσης: 4 ημέρες.

Αντενδείξεις

- Οι κίνδυνοι από τον καθετήρα είναι, στην πραγματικότητα, οι κίνδυνοι από τη χρήση κεντρικής γραμμής. Ο καθετήρας δεν θα πρέπει να χρησιμοποιείται σε ασθενείς στους οποίους δεν ενδείκνυται η τοποθέτηση κεντρικής γραμμής.
- Αιμορραγική διάθεση.
- Ενεργός σήψη.
- Λοίμωξη ή ενεργός αιμορραγία στο σημείο της εισαγωγής του καθετήρα.
- Ασθενείς χωρίς αγγειακή πρόσβαση ή με αγγειακό σύστημα το οποίο δεν μπορεί να φιλοξενήσει τον καθετήρα, συμπεριλαμβανομένων των ασθενών που φέρουν φίλτρα στις κοιλές φλέβες ή άλλα εμφυτευμένα υλικά που θα εμποδίσουν τη διόδο του καθετήρα.
- Ασθενείς για τους οποίους δεν μπορεί να εξασφαλιστεί η απαιτούμενη παρακολούθηση της θερμοκρασίας.
- Η υποθερμία αντενδείκνυται σε ασθενείς που πάσχουν από αιματολογικές νόσους που θα επιδεινωθούν από την υποθερμία (π.χ. οποιαδήποτε νόσος που οδηγεί σε κρουσφαιριναιμία, οποιαδήποτε αιμοσφαιρινοπάθεια κατά την οποία μπορεί να προκληθεί αιμολυτική αναιμία από το κρύο, συμπεριλαμβανομένης της δρεπανοκυτταρικής αναιμίας ή της θαλασσαιμίας).
- Δεν προορίζεται για παιδιατρική ή νεογνική χρήση.

Προειδοποιήσεις, προφυλάξεις, ανεπιθύμητες ενέργειες

Ο καθετηριασμός των κεντρικών φλεβών θα πρέπει να διενεργείται αποκλειστικά από καλά εκπαιδευμένο προσωπικό, ιδιαίτερα έμπειρο στα ανατομικά οδηγία στοιχεία και στην ασφαλή τεχνική. Το προσωπικό θα πρέπει να έχει επίσης επίγνωση των δυνητικών επιπλοκών.

ΠΡΟΕΙΔΟΠΟΙΗΣΗ

Ο καθετήρας θα πρέπει να τοποθετείται μόνο με προσπέλαση μέσω της μηριαίας φλέβας. Μην επιτρέπετε την τοποθέτηση του καθετήρα εντός του δεξιού κόλπου ή της δεξιάς κοιλίας. Η τοποθέτηση στον δεξιό κόλπο ή τη δεξιά κοιλία μπορεί να οδηγήσει σε σοβαρή κάκωση του ασθενούς ή τον θάνατο.

Για μία χρήση μόνο. Το προϊόν έχει σχεδιαστεί για μία χρήση μόνον. Μην επαναποστειρώνετε και μην επαναχρησιμοποιείτε. Μην επανεισάγετε, εφόσον αφαιρεθεί από τον ασθενή. Μην τροποποιείτε τον καθετήρα με κανέναν τρόπο.

Στους δυνητικούς κινδύνους από την επαναχρησιμοποίηση μιας συσκευής μίας χρήσης συγκαταλέγονται, μεταξύ άλλων, οι εξής:

- Δυνητικά απειλητική για τη ζωή λοίμωξη
- Τοξική καταπληξία, λόγω αποδόμησης των υλικών
- Αυξημένος κίνδυνος θρόμβωσης
- Μειωμένη ισχύς ανταλλαγής θερμότητας
- Αστοχίες της διάταξης

ΠΡΟΕΙΔΟΠΟΙΗΣΗ. Ο καθετήρας Icy και το kit έναρξης δυνητικά μπορούν να συνδεθούν εσφαλμένα με άλλες συσκευές με συνδέσεις μικρού διαμετρήματος. Αυτά τα σφάλματα σύνδεσης ενδέχεται να προκαλέσουν τραυματισμό ή θάνατο του ασθενούς.

Προσοχή. Οι τυπικοί σύνδεσμοι Luer που περιέχονται στον καθετήρα και το kit έναρξης μπορεί να μειώσουν τον κίνδυνο εσφαλμένων συνδέσεων, αλλά υπάρχει ακόμα η πιθανότητα εσφαλμένων συνδέσεων με τις παρακάτω συγκεκριμένες εφαρμογές ιατρικών συσκευών: Εφαρμογές συστημάτων αναπνοής και χορήγησης αερίων, εντερικές και γαστρικές εφαρμογές, ουρηθρικές και ουροποιητικές εφαρμογές, εφαρμογές με διόγκωση τουρνικέ άκρου, νευροαξονικές εφαρμογές και ενδοαγγειακές ή υποδερμικές εφαρμογές. Προσέχετε πάντοτε κατά τη σύνδεση των καθετήρων ZOLL και των kit έναρξης με αυτές και άλλες εφαρμογές ιατρικών συσκευών.

Προσοχή. Βεβαιωθείτε ότι ο καθετήρας Icy ή/και το kit έναρξης δεν είναι συνδεδεμένα σε ενδοφλέβια συσκευή ή σε άλλες ιατρικές συσκευές.

1. Ο καθετήρας θα πρέπει να είναι τοποθετημένος έτσι ώστε το περιφερικό άκρο του καθετήρα να βρίσκεται στην κάτω κοίλη φλέβα, κάτω από τη συμβολή της με τον δεξιό κόλπο και παράλληλα με το τοίχωμα του αγγείου. Θα πρέπει να χρησιμοποιείται ακτινογραφική εξέταση για να διασφαλίζεται ότι ο καθετήρας δεν βρίσκεται στον δεξιό κόλπο ή τη δεξιά κοιλία.
2. **Προσοχή.** Εάν παρατηρηθεί αίμα εντός του κυκλώματος του αλατούχου διαλύματος, διακόψτε τη διαδικασία και ελέγξτε για διαρροή του καθετήρα.
3. Στις πιθανές επιπλοκές των κεντρικών φλεβικών καθετήρων συγκαταλέγονται οι εξής: τρώση κόλπου ή κοιλίας, καρδιακός επιπωματισμός, εμβολή αέρα, εμβολή του καθετήρα, ρήξη θωρακικού πόρου, βακτηριαιμία, σηψαιμία, θρόμβωση, ακούσια αρτηριακή τρώση, σχηματισμός αιματώματος, αιμορραγία, κάκωση νεύρων και αρρυθμίες.
4. Όλες οι συνδέσεις τύπου Luer-Lock και τα καλύμματα πρέπει να είναι καλά σφισμένα, για να αποτραπεί η εμβολή από αέρα ή υγρό ή η απώλεια αίματος.
5. Μην ασκείτε ποτέ υπερβολική δύναμη για τη μετακίνηση του καθετήρα ή του οδηγού σύρματος. Εάν συναντήσετε αντίσταση, θα πρέπει να γίνει μια ακτινογραφία, προκειμένου να διαπιστωθεί η αιτία της αντίστασης.
6. Η διέλευση του οδηγού σύρματος εντός της δεξιάς καρδιάς μπορεί να προκαλέσει αρρυθμίες, δεξιό σκελικό αποκλεισμό, τρώση του τοιχώματος του αγγείου, του κόλπου ή της κοιλίας.
7. Για την πλήρωση του καθετήρα χρησιμοποιείτε αποκλειστικά στείρο φυσιολογικό αλατούχο διάλυμα. Αποτελεί το υγρό που κυκλοφορεί στον καθετήρα.
8. Ο καθετήρας θα πρέπει να επιθεωρείται τακτικά για τον ρυθμό ροής, την ασφαλή του επίδεση, τη σωστή θέση του καθετήρα και την ασφαλή σύνδεση των Luer-Lock. Χρησιμοποιήστε τις εκατοστομετρικές ενδείξεις για να αναγνωρίσετε τυχόν μεταβολή της θέσης του καθετήρα. Ένας δυνητικός κίνδυνος που σχετίζεται με τους καθετήρες με μπαλόνι πολλαπλών αυλών είναι η απουσία χορήγησης θεραπείας, συμπεριλαμβανομένης της αδυναμίας έγχυσης του φαρμάκου της θεραπείας διαμέσου των αυλών έγχυσης.
9. Μόνον η ακτινογραφική εξέταση μπορεί να επιβεβαιώσει ότι το άκρο του καθετήρα δεν έχει εισέλθει στην καρδιά ή ότι δεν βρίσκεται πλέον παράλληλα με το τοίχωμα του αγγείου. Εάν η θέση του καθετήρα έχει μεταβληθεί, πραγματοποιήστε μια ακτινογραφική εξέταση για να επιβεβαιώσετε τη θέση του άκρου του καθετήρα.
10. Για να προβείτε σε δειγματοληψία αίματος, αποκλείστε προσωρινά τις εναπομένουσες θύρες έγχυσης διαμέσου των οποίων εγχύονται τα διαλύματα.
11. Χρησιμοποιείτε αποκλειστικά μια σύριγγα των 30 cc ή μικρότερη για τη δειγματοληψία αίματος.
12. Η αλκοόλη και η ακετόνη μπορούν να εξασθενίσουν τη δομή του υλικού του άξονα. Συνεπώς, χρειάζεται προσοχή κατά την έγχυση φαρμάκων που περιέχουν αλκοόλη ή κατά τη χρήση αλκοόλης ή ακετόνης, κατά την τακτική φροντίδα και τη συντήρηση του καθετήρα. Δεν θα πρέπει να χρησιμοποιείται αλκοόλη για την απομάκρυνση πηγμάτων από τον καθετήρα.
13. Χρησιμοποιείτε αποκλειστικά τη γλωττίδα και το κλιπ ράμματος ZOLL που παρέχονται στο κιτ, για την αποτροπή ζημιάς στον καθετήρα.
14. Η χρήση μιας σύριγγας μικρότερης των 10 ml για τον καταιονισμό ή την απομάκρυνση πηγμάτων από έναν αποφραγμένο καθετήρα ενδέχεται να προκαλέσει διαυλική διαρροή ή ρήξη του καθετήρα.
15. Μην πραγματοποιείτε έγχυση στις πορτοκαλί συνδέσεις Luer-Lock ΕΙΣΡΟΗΣ και ΕΚΡΟΗΣ, καθώς κάτι τέτοιο θα οδηγήσει σε απουσία χορήγησης θεραπείας.
16. Ο πυρετός μπορεί να οφείλεται σε λοιμώδεις ή/και μη λοιμώδεις αιτίες σε ασθενείς. Ο μετρισμός του πυρετού ως σημείο πιθανής λοίμωξης καθιστά αναγκαία την καθημερινή, σχολαστική αξιολόγηση για άλλα σημεία λοίμωξης.
17. Να είστε προσεκτικοί κατά την έγχυση φαρμάκων που ενδέχεται να επηρεαστούν από ψυχρές θερμοκρασίες (έως και 4 °C). Τα διαλύματα που περιέχουν μαννιτόλη είναι ευαίσθητα στη θερμοκρασία και δεν επιτρέπεται η χορήγησή τους μέσω του καθετήρα, με εξαίρεση την ταχεία χορήγηση διαλύματος συγκέντρωσης έως 20% σε μαννιτόλη, που ακολουθείται από έκπλυση με αλατούχο διάλυμα. Η χορήγηση διαλύματος μαννιτόλης συγκέντρωσης μεγαλύτερης του 20% με στάθην έγχυσης ή η χορήγηση μαννιτόλης μέσω αντλίας έγχυσης πρέπει να γίνονται μέσω ξεχωριστής γραμμής.
18. Καρδιακός επιπωματισμός: Η τοποθέτηση μόνιμων καθετήρων εντός του δεξιού κόλπου είναι μια πρακτική που ενδέχεται να οδηγήσει σε διάτρηση της καρδιάς και επιπωματισμό. Οι επαγγελματίες που τοποθετούν κεντρικούς φλεβικούς καθετήρες

οφείλουν να έχουν επίγνωση αυτής της δυνητικά θανατηφόρας επιπλοκής, προτού προωθήσουν υπερβολικά τον καθετήρα σε σχέση με το μέγεθος του ασθενούς. Η πραγματική θέση του τελικού άκρου του μόνιμου καθετήρα μετά την εισαγωγή του θα πρέπει να επιβεβαιώνεται με ακτινογραφία. Δεν θα πρέπει να τοποθετούνται κεντρικοί φλεβικοί καθετήρες στον δεξιό κόλπο, παρά μόνον εάν αυτό απαιτείται συγκεκριμένα για ειδικές διαδικασίες σύντομης εφαρμογής, όπως η αναρρόφηση εμβόλων αέρα κατά τη διάρκεια νευροχειρουργικών επεμβάσεων. Οι διαδικασίες αυτές, ωστόσο, ενέχουν κινδύνους και θα πρέπει να παρακολουθούνται και να ελέγχονται αυστηρά.

19. Ο καθετήρας φέρει επικάλυψη από ηπαρίνη. Αυτό μπορεί να ετάγει ή να επιδεινώσει προϋπάρχουσα θρομβοκυτταροπενία λόγω χορήγησης ηπαρίνης (HIT, Heparin induced thrombocytopenia).
20. **ΠΡΟΕΙΔΟΠΟΙΗΣΗ.** Κατά τη σύνδεση σε έγχυση/αυτοημιάνωση ένεσης στον καθετήρα, μην υπερβαίνετε τα 100 psi/689 kPa.
21. Για ασθενείς που έχουν καταστεί υποθερμικοί, η ίδια η υποθερμία ενδέχεται να επιδεινώσει ορισμένες παθολογικές καταστάσεις. Χρειάζεται προσοχή για τη σωστή παρακολούθηση της ομοιόστασης του ασθενούς κατά τη διάρκεια της υποθερμίας.
 - Διαταραχές καρδιακού ρυθμού – τόσο βραδυκαρδία όσο και κοιλιακή ταχυαρρυθμία.
 - Λειτουργία θρόμβωσης και πήξης. Οι ασθενείς που διατρέχουν κίνδυνο εμφάνισης διαταραχών στη λειτουργία θρόμβωσης και πήξης θα πρέπει να παρακολουθούνται στενά κατά τη διάρκεια της υποθερμίας.
 - Ανάλυση αερίων αίματος και pH. Η υποθερμία μεταβάλλει το pH και το PaCO₂ ηρεμίας. Οι ιατροί θα πρέπει να έχουν επίγνωση της επίδρασης της θερμοκρασίας επί του αποτελέσματος.
 - Η παρατεταμένη υποθερμία καταστέλλει την ανοσολογική απόκριση και τη λειτουργία των πνευμόνων.

ΠΡΟΕΙΔΟΠΟΙΗΣΗ. Διαυλική διαρροή ή διαρροή μπαλονιού.

Η διαυλική διαρροή (μεταξύ του αυλού του αλατούχου διαλύματος και των αυλών έγχυσης) ή η διαρροή του μπαλονιού είναι μια δυνητική αστοχία του καθετήρα. Στην περίπτωση μιας τέτοιας αστοχίας, το στείρο αλατούχο διάλυμα από το κύκλωμα ψύξης εισέρχεται στον ασθενή. Η διαυλική διαρροή ή η διαρροή του μπαλονιού συνδέεται συνήθως με έναν συναγερμό απώλειας υγρού, αφού ο ασκός αλατούχου διαλύματος έχει εξαντληθεί και σταματά το σύστημα. **Να διερευνάτε πάντοτε τους συναγερμούς στάθμης υγρού.** Το κύκλωμα ψύξης είναι ένα σύστημα κλειστού βρόχου – οι συναγερμοί απώλειας υγρού υποδεικνύουν συνήθως ρήγμα σε κάποιο σημείο αυτού του κλειστού βρόχου. Σε κάθε συναγερμό απώλειας υγρού, ελέγξτε την ακεραιότητα τόσο του καθετήρα όσο και του Start-Up Kit (βλέπε παρακάτω).

ΠΡΟΕΙΔΟΠΟΙΗΣΗ. Εάν διαπιστώσετε ότι ο ασκός αλατούχου διαλύματος έχει εξαντληθεί ή έναν συναγερμό αεροπαγίδας, μην αντικαταστήσετε τον ασκό αλατούχου διαλύματος πριν από τον εντοπισμό του σημείου της διαρροής και τη λήψη των κατάλληλων μέτρων μετριασμού. Ελέγξτε για διαρροές συστήματος σύμφωνα με τις οδηγίες των ενότητων Έλεγχος για διαρροή του Start-Up Kit και Έλεγχος για διαρροή του καθετήρα παρακάτω. (Σημειώστε ότι μια διαρροή θα μπορούσε να είναι εξωτερική ή εσωτερική).

Η επανειλημμένη αντικατάσταση του ασκού αλατούχου διαλύματος χωρίς διερεύνηση της διαρροής ή της απώλειας αλατούχου διαλύματος ενδέχεται να καταλήξει σε ακούσια έγχυση αλατούχου διαλύματος στον ασθενή. Η έγχυση αλατούχου διαλύματος ενδέχεται να προκαλέσει τα ακόλουθα ανεπιθύμητα συμβάντα: τοπικό οίδημα που μπορεί να προκαλέσει συνακόλουθη τοπική βλάβη στους ιστούς, συστηματική υπερφόρτωση με υγρό που μπορεί να προκαλέσει περιφερικό οίδημα και συνακόλουθη λύση του δέρματος, υπερφόρτωση των εσωτερικών οργάνων με υγρό, με συνακόλουθη υπερφόρτωση του εγκεφάλου, των πνευμόνων ή της καρδιάς. Σε ορισμένες περιπτώσεις, αυτή η υπερφόρτωση με υγρό ενδέχεται να προκαλέσει απειλητικά για τη ζωή συμβάντα.

Προσοχή. Η κονσόλα εκπέμπει έναν συναγερμό όταν ο ασκός αλατούχου διαλύματος είναι κενός. Ο ασκός πρέπει να είναι εντελώς κενός και πρόσθετο αλατούχο διάλυμα πρέπει να έχει αποστραγγιστεί μεταξύ της ακίδας αλατούχου διαλύματος και της αεροπαγίδας, προκειμένου η στάθμη αλατούχου διαλύματος στο εσωτερικό της αεροπαγίδας να μειωθεί επαρκώς ώστε να ενεργοποιηθεί ο συναγερμός.

Έλεγχος για διαρροή του Start-Up Kit

1. Ελέγξτε την αεροπαγίδα για συμπίκνωση υδρατμών. Εάν η αεροπαγίδα δείχνει σημεία συμπίκνωσης υδρατμών, σκουπίστε την αεροπαγίδα και επανατοποθετήστε την στην κονσόλα. Σε περίπτωση συναγερμού αεροπαγίδας, βεβαιωθείτε ότι ο συναγερμός αεροπαγίδας θα διαγραφεί μετά από αυτό το βήμα.

- Ελέγξτε προσεκτικά τη διαδρομή του αλατούχου διαλύματος από τον ασκό αλατούχου διαλύματος στην κονσόλα, για τυχόν διαρροές. Ελέγξτε εάν υπάρχει αλατούχο διάλυμα στο δάπεδο, στην κονσόλα ή στο κρεβάτι του ασθενούς.
- Εάν υπάρχει αλατούχο διάλυμα στο δάπεδο, στην κονσόλα ή στο κρεβάτι του ασθενούς, ελέγξτε ότι οι σύνδεσμοι Luer στον καθετήρα και στο Start-Up Kit δεν φέρουν ρωγμές ή ζημιές και ότι οι συνδέσεις είναι επαρκώς σφιχτές ώστε να αποτρέπονται διαρροές.
- Εάν εντοπίσετε κάποια διαρροή στο Start-Up Kit, αντικαταστήστε το Start-Up Kit και δείτε εάν υπάρχει διαρροή και στον καθετήρα.
- Εάν δεν εντοπίσετε διαρροή στο Start-Up Kit, πιθανόν να υπάρχει διαρροή στον καθετήρα. Διερευνήστε το θέμα περισσότερο.

Έλεγχος για διαρροή του καθετήρα

- Αποσυνδέστε το κιτ έναρξης από τον καθετήρα. Επιπωματίστε κατάλληλα τόσο τον καθετήρα όσο και το κιτ έναρξης, χρησιμοποιώντας άσηπτη τεχνική.
- Πληρώστε με στείρο αλατούχο διάλυμα μια αποστειρωμένη σύριγγα των 10 ml με ολισθαίνουσα υποδοχή βελόνας.
- Συνδέστε τη σύριγγα στο Luer ΕΙΣΡΟΗΣ του καθετήρα και αποσυνδέστε το πώμα ΕΚΡΟΗΣ. Εγχύστε 10 ml αλατούχου διαλύματος. Το αλατούχο διάλυμα θα πρέπει να εκρέει από το Luer ΕΚΡΟΗΣ. Εάν το αλατούχο διάλυμα δεν εκρέει από το Luer ΕΚΡΟΗΣ, υποδεικνύεται διαρροή του καθετήρα.
- Επιπωματίστε το Luer ΕΚΡΟΗΣ και αναρροφήστε 5 cc κενού. Διατηρήστε την αναρρόφηση για τουλάχιστον 10 δευτερόλεπτα. Έως 4 ml αλατούχου διαλύματος (όχι αίματος) θα πρέπει να εισρέουν στη σύριγγα και εσείς θα πρέπει να έχετε τη δυνατότητα να διατηρείτε την υποπίεση. Εάν δείτε ίχνη αίματος στο εσωτερικό της σύριγγας ή δεν μπορεί να διατηρηθεί η υποπίεση, αυτό υποδεικνύει διαρροή του καθετήρα.
- Εάν εντοπίσετε διαρροή στον καθετήρα, αντικαταστήστε τον καθετήρα.
- Αντικαταστήστε τον ασκό αλατούχου διαλύματος και αναπληρώστε το Start-Up Kit.
- Βεβαιωθείτε ότι οι συνδέσεις Luer στο Start-Up Kit είναι στεγανές και δεν έχουν διαρροές και συνεχίστε τη θεραπεία.

Υλικά που απαιτούνται

Ποσότητα	Περιγραφή
1	Κιτ καθετήρα Icy για διαδερμική εισαγωγή
1	Ασκός στείρου φυσιολογικού αλατούχου διαλύματος 500 cc (δεν παρέχεται)
1	Κιτ έναρξης (παρέχεται ξεχωριστά) <ul style="list-style-type: none"> • Τυπική σωλήνωση 183 cm (6 ft) ή • Επεκταμένη σωλήνωση 274 cm (9 ft)
1	Κονσόλα Coolgard ή Thermogard (παρέχεται ξεχωριστά)
1	Κιτ καθετήρα με παρελκόμενα [Μόνο για το μοντέλο (CO)]
1	Αισθητήρας θερμοκρασίας YSI-400 (δεν παρέχεται)

Προετοιμασία και εισαγωγή του καθετήρα

Σημείωση. Ο καθετήρας φέρει ακτινοσκοπική ταινία σήμανσης για την υποβοήθηση της αναγνώρισης του καθετήρα κατά τη διάρκεια και μετά την εισαγωγή του, όταν απεικονίζεται με τη χρήση ακτινογραφικού εξοπλισμού. Το εγγύς άκρο του εγγύς μεταλλοίου φέρει μία ταινία σήμανσης. Το άκρο του καθετήρα περιέχει θειικό βάριο για να καταστεί ακτινοσκοπικό.

Χρησιμοποιήστε στείρα τεχνική.

Προσοχή. Οι συνδέσεις Luer-Lock ΕΙΣΡΟΗΣ και ΕΚΡΟΗΣ σε αυτόν τον καθετήρα είναι προσαρμοσμένες κατασκευές και προορίζονται για σύνδεση μόνο με το κιτ έναρξης που παρατίθεται στην ενότητα Υλικά που απαιτούνται.

Προετοιμασία του καθετήρα

- Τοποθετήστε τον ασθενή σε ύπια θέση.
- Καθαρίστε χειρουργικά το σημείο της παρακέντησης και καλύψτε με αποστειρωμένο πεδίο, όπως απαιτείται.
- Αφαιρέστε προσεκτικά τον καθετήρα από τη συσκευασία, αφήνοντας τοποθετημένο το κάλυμμα της μεμβράνης του καθετήρα.
- Αφαιρέστε τα πώματα από τα Luer ΕΙΣΡΟΗΣ και ΕΚΡΟΗΣ. Διατηρώντας το κάλυμμα του καθετήρα στη θέση του, πληρώστε τη σύριγγα (των 5 cc ή μεγαλύτερη) με στείρο αλατούχο διάλυμα και συνδέστε τη σύριγγα στον θηλυκό σύνδεσμο Luer ΕΙΣΡΟΗΣ.
ΠΡΟΕΙΔΟΠΟΙΗΣΗ. Μην ενίετε ποτέ θετική πίεση εντός του Luer ΕΙΣΡΟΗΣ, όταν είναι τοποθετημένο το πώμα του Luer ΕΚΡΟΗΣ.
- Με ήπιες κινήσεις εγχύστε αλατούχο διάλυμα στον καθετήρα έως ότου αρχίσει να εξέρχεται από τον σύνδεσμο Luer ΕΚΡΟΗΣ.
- Χρησιμοποιώντας μια σύριγγα των 5 cc ή μεγαλύτερη, εκπλύνετε το περιφερικό, το εγγύς και το μέσο Luer έγχυσης με στείρο αλατούχο διάλυμα. Προσαρτήστε σφιγκτήρες ή πώματα ένεσης στο εγγύς και το μέσο Luer έγχυσης. Αφήστε το Luer του περιφερικού αυλού χωρίς πώμα, για τη διέλευση του οδηγού σύρματος.
Προσοχή. Να πληρώνετε πάντοτε τα Luer έγχυσης του καθετήρα πριν από την εισαγωγή του καθετήρα στον ασθενή.
- Αφαιρέστε το κάλυμμα μεμβράνης του καθετήρα. Εάν υπάρχει αντίσταση στην αφαίρεση του καλύμματος μεμβράνης από τον καθετήρα, εκπλύνετε το κάλυμμα της μεμβράνης με στείρο αλατούχο διάλυμα. Επιθεωρήστε τον καθετήρα για να διασφαλίσετε ότι έχει εκκενωθεί ο αέρας από τη μεμβράνη ανταλλαγής θερμότητας. Επιθεωρήστε τον καθετήρα για διαρροές.
Προσοχή. Αποφύγετε το υπερβολικό σκούπισμα του επικαλυμμένου καθετήρα. Αποφύγετε το σκούπισμα του καθετήρα με στεγνή γάζα, καθώς ενδέχεται να προκληθεί ζημιά στην επικάλυψη του καθετήρα. Αποφύγετε τη χρήση αλκοόλης, αντισηπτικών διαλυμάτων ή άλλων διαλυτών για την προκατεργασία του καθετήρα, καθώς με αυτά ενδέχεται να προκληθούν μη προβλέψιμες αλλαγές της επικάλυψης, οι οποίες ενδέχεται να επηρεάσουν την ασφάλεια της συσκευής και την απόδοσή της.
ΠΡΟΕΙΔΟΠΟΙΗΣΗ. Μην κόβετε τον καθετήρα για να τροποποιήσετε το μήκος του.

Εισαγωγή του καθετήρα

ΠΡΟΕΙΔΟΠΟΙΗΣΗ. Χρησιμοποιήστε αποκλειστικά προσπέλαση μέσω της μηριαίας φλέβας.

- Αποκτήστε πρόσβαση στη μηριαία φλέβα χρησιμοποιώντας τυπικές διαδερμικές τεχνικές. Η πρόσβαση θα πρέπει να διατηρείται με ένα οδηγό σύρμα των 0,81 mm (0,032"). Δείτε την ενότητα Οδηγίες χρήσης οδηγού σύρματος.
ΠΡΟΕΙΔΟΠΟΙΗΣΗ. Μην επιχειρείτε να επανεισαγάγετε μια βελόνα εισαγωγής ΟΤΝ (επί της βελόνης), η οποία έχει αποσυρθεί μερικώς ή πλήρως από τον καθετήρα της.
Προσοχή. Μη χρησιμοποιείτε οδηγό σύρμα μεγαλύτερο των 0,81 mm (0,032") με τον καθετήρα.
- Συγκρατώντας το οδηγό σύρμα στη θέση του, αφαιρέστε τον καθετήρα εισαγωγής.
Προσοχή. Να κρατάτε συνεχώς σταθερά το οδηγό σύρμα.
- Διευρύνετε το δερματικό σημείο παρακέντησης διατηρώντας την ακμή κοπής του νυστεριού στραμμένη μακριά από το οδηγό σύρμα.
ΠΡΟΕΙΔΟΠΟΙΗΣΗ. Μην κόβετε το οδηγό σύρμα. Χρησιμοποιήστε αγγειακό διαστολέα για τη διευρυνση του σημείου, εφόσον απαιτείται. Μην αφήνετε τον αγγειακό διαστολέα στη θέση αυτή σε ρόλο μόνιμου καθετήρα, προκειμένου να ελαχιστοποιήσετε τον κίνδυνο πιθανής διάτρησης του τοιχώματος του αγγείου.
- Περάστε το άκρο του καθετήρα πάνω από το οδηγό σύρμα. Κρατάτε επαρκώς σταθερά το οδηγό σύρμα, κατά τη διάρκεια της εισαγωγής του καθετήρα. Πιάστε τον καθετήρα κοντά στο δέρμα και προωθήστε τον μέσα στη φλέβα. Συνεχίστε την προώθηση του καθετήρα πάνω από το οδηγό σύρμα, τοποθετώντας τα δάκτυλά σας λίγο κεντρικότερα από το μπαλόνι.
- Χρησιμοποιώντας τις σημάνσεις εκατοστόμετρων στον καθετήρα ως σημεία αναφοράς για τον προσδιορισμό της θέσης, προωθήστε τον καθετήρα τουλάχιστον έως τον μικρότερο αριθμό της σήμανσης, για να διασφαλίσετε ότι η εγγύς θύρα έγχυσης βρίσκεται εντός του αγγείου.

6. Συγκρατήστε τον καθετήρα στο επιθυμητό βάθος και αφαιρέστε το οδηγό σύρμα. Εάν συναντήσετε αντίσταση ενώ επιχειρείτε να αφαιρέσετε το οδηγό σύρμα μετά την τοποθέτηση του καθετήρα, το οδηγό σύρμα ενδέχεται να έχει στρεβλωθεί στο τελικό άκρο του καθετήρα. Εάν συναντήσετε αντίσταση, αποσύρετε τον καθετήρα περίπου 2-3 cm σε σχέση με το οδηγό σύρμα και επιχειρήστε να αφαιρέσετε το οδηγό σύρμα. Εάν συναντήσετε και πάλι αντίσταση, αφαιρέστε ταυτόχρονα το οδηγό σύρμα και τον καθετήρα.

Προσοχή. Μην ασκείτε άσκοπη δύναμη στο οδηγό σύρμα.

7. Επιληθεύστε ότι το οδηγό σύρμα είναι ακέραιο κατά την αφαίρεσή του.
8. Ελέγξτε την τοποθέτηση του καθετήρα προσαρτώντας μια σύριγγα στον περιφερικό σύνδεσμο Luer έγχυσης και αναρροφήστε μέχρις ότου παρατηρηθεί ελεύθερη ροή φλεβικού αίματος. Συνδέστε τον σύνδεσμο Luer έγχυσης στο σύνδεσμο Luer-Lock της κατάλληλης γραμμής, όπως απαιτείται. Οι θύρες έγχυσης που δεν χρησιμοποιούνται μπορούν να ασφαλιστούν με πώματα ένεσης, με χρήση τυπικού νοσοκομειακού πρωτοκόλλου. Στη σωλήνωση παρέχεται συρόμενος σφικτήρας, ώστε να αποφράσσεται η ροή διαμέσου του Luer έγχυσης, κατά τη διάρκεια των αλλαγών των πωμάτων γραμμής και ένεσης.
- Προσοχή.** Για να ελαχιστοποιηθεί ο κίνδυνος πρόκλησης ζημιάς στη σωλήνωση από υπερβολική πίεση, ο σφικτήρας πρέπει να έχει ανοιχτεί πριν από την έγχυση διαμέσου του Luer.

Προσοχή. Μην κλείνετε τον σφικτήρα και μην αποφράσετε τις γραμμές ΕΙΣΡΟΗΣ και ΕΚΡΟΗΣ. Αυτό μπορεί να προκαλέσει απόφραξη στη γραμμή και πιθανή αστοχία.

9. Στερεώστε και επιδέστε προσωρινά το σημείο εισαγωγής και τον καθετήρα.
10. Επιβεβαιώστε με ακτινογραφία θώρακα τη θέση του άκρου του καθετήρα, αμέσως μετά την τοποθέτησή του. Στην ακτινογραφική εξέταση, ο καθετήρας πρέπει να εμφανίζεται τοποθετημένος στην κάτω κοίλη φλέβα (ΚΚΦ), με το περιφερικό άκρο του καθετήρα παράλληλο με το τοίχωμα της κοίλης φλέβας. Εάν το τελικό άκρο του καθετήρα δεν βρίσκεται στη σωστή θέση, επανατοποθετήστε και επιβεβαιώστε εκ νέου.
11. Η εγγύς ακτινοσκιερή σήμανση υποδεικνύει το κεντρικό άκρο του μπαλονιού. Βεβαιωθείτε ότι το μπαλόνι βρίσκεται πλήρως εντός του αγγείου. Εάν ο καθετήρας βρίσκεται σε εσφαλμένη θέση, επανατοποθετήστε και επιβεβαιώστε εκ νέου.
12. Στερεώστε τον καθετήρα στον ασθενή. Χρησιμοποιήστε τα πλευρικά πτερύγια της γλωττίδας ως κύριο σημείο συρραφής, για να ελαχιστοποιήσετε τον κίνδυνο μετανάστευσης του καθετήρα.
13. Η γλωττίδα και το κλιπ ράμματος της ZOLL μπορούν επίσης να χρησιμοποιηθούν ως επιπρόσθετο σημείο προσάρτησης. Βεβαιωθείτε ότι το σώμα του καθετήρα είναι στερεωμένο με ασφάλεια και δεν ολισθαίνει.

Προσοχή. Χρησιμοποιείτε αποκλειστικά τη γλωττίδα και το κλιπ ράμματος της ZOLL που παρέχονται στο κιτ. Εάν χρησιμοποιηθούν άλλες γλωττίδες ή κλιπ ενδέχεται να προκληθεί ζημιά στον καθετήρα.

Προσοχή. Μη συρράπτετε απευθείας στην εξωτερική διάμετρο του καθετήρα, προκειμένου να ελαχιστοποιήσετε τον κίνδυνο κοπής ή ζημιάς του καθετήρα ή παρεμπόδισης της ροής διαμέσου του καθετήρα.

14. Επιδέστε το σημείο της παρακέντησης εφαρμόζοντας το πρωτόκολλο του νοσοκομείου. Φροντίστε το σημείο εισαγωγής με τακτικές, σχολαστικές αλλαγές της επίδεσης, με χρήση άσηπτης τεχνικής.

15. Καταγράψτε στο διάγραμμα του ασθενούς το μήκος του μόνιμου καθετήρα, ανατρέχοντας στις εκατοστομετρικές ενδείξεις στον άξονα του καθετήρα. Θα πρέπει να γίνεται συχνή οπτική επανεκτίμηση, προκειμένου να διασφαλιστεί ότι ο καθετήρας δεν έχει μετακινηθεί.

16. Συνδέστε ένα πληρωμένο κιτ έναρξης στον καθετήρα: Συνδέστε τον αρσενικό σύνδεσμο Luer του κιτ έναρξης με τον θηλυκό σύνδεσμο Luer ΕΙΣΡΟΗΣ του καθετήρα (επισημαίνεται με «IN»). Συνδέστε τον θηλυκό σύνδεσμο Luer του κιτ έναρξης με τον αρσενικό σύνδεσμο Luer ΕΚΡΟΗΣ του καθετήρα (επισημαίνεται με «OUT»). Στους σωλήνες επέκτασης ΕΙΣΡΟΗΣ και ΕΚΡΟΗΣ έχουν προσαρμοστεί χαλαρά λευκές ετικέτες «ZOLL», ώστε να διευκολύνεται η αναγνώρισή τους.

Σημείωση. Οι σύνδεσμοι Luer ΕΙΣΡΟΗΣ και ΕΚΡΟΗΣ του κιτ έναρξης προορίζονται για σύνδεση μόνο με τους συνδέσμους Luer ΕΙΣΡΟΗΣ και ΕΚΡΟΗΣ του καθετήρα και δεν προορίζονται για σύνδεση με τις τυπικές σύριγγες Luer-Lock. Έχουν προσαρμοσμένα εξαρτήματα της ZOLL τα οποία έχουν πορτοκαλί χρώμα για εύκολη αναγνώριση.

17. Βεβαιωθείτε ότι στα άκρα των συνδέσμων Luer υπάρχει ικανοποιητική ποσότητα στείρου αλατούχου διαλύματος, ώστε η σύνδεση που θα γίνει να είναι αεροστεγής. Ανατρέξτε στο χειρίδιο λειτουργίας.

ΠΡΟΕΙΔΟΠΟΙΗΣΗ. Εάν το κιτ έναρξης συνδεθεί εσφαλμένα στον καθετήρα, αυτό θα μπορούσε να προκαλέσει αστοχία του καθετήρα. Μην προσαρτάτε τα (πορτοκαλί) Luer του Κιτ έναρξης στα μπλε, λευκά ή καφέ Luer.

Προσοχή. Μην προσαρτάτε το κιτ έναρξης στην περιφερική θύρα.

Προσοχή. Μην τοποθετείτε στη γραμμή καμία στρόφιγγα που μπορεί να κλείσει ακουσίως. Αυτό μπορεί να προκαλέσει απόφραξη στη γραμμή και πιθανή αστοχία.

18. Αντλήστε αλατούχο διάλυμα διαμέσου του κιτ έναρξης και του καθετήρα, προκειμένου να επιβεβαιώσετε ότι όλες οι συνδέσεις είναι ασφαλείς και ότι δεν υπάρχει διαρροή. Εκκενώστε οποιαδήποτε ποσότητα αέρα παραμένει στο σύστημα, όπως περιγράφεται στο χειρίδιο λειτουργίας.

Αποσύνδεση του καθετήρα από την κονσόλα

1. Διακόψτε την κυκλοφορία αλατούχου διαλύματος διαμέσου του καθετήρα.
2. Αποσυνδέστε το κιτ έναρξης από τον καθετήρα.
3. Προκειμένου να διατηρηθούν στείρες οι συνδέσεις, πωμάτιστε αμέσως τους συνδέσμους Luer του καθετήρα και του κιτ έναρξης, χρησιμοποιώντας αποστειρωμένα πώματα Luer ή συνδέοντας τους συνδέσμους Luer ΕΙΣΡΟΗΣ και ΕΚΡΟΗΣ μεταξύ τους.

Επανασύνδεση του καθετήρα στην κονσόλα

1. Αφαιρέστε τα πώματα Luer από τους συνδέσμους Luer του καθετήρα και του κιτ έναρξης. Απορρίψτε τα πώματα Luer ή αποσυνδέστε τους συνδέσμους Luer ΕΙΣΡΟΗΣ (IN) και ΕΚΡΟΗΣ (OUT) μεταξύ τους.
2. Προσαρτήστε το κιτ έναρξης στον καθετήρα: Συνδέστε τον αρσενικό σύνδεσμο Luer του κιτ έναρξης με τον θηλυκό σύνδεσμο Luer ΕΙΣΡΟΗΣ του καθετήρα. Συνδέστε τον θηλυκό σύνδεσμο Luer του κιτ έναρξης με τον αρσενικό σύνδεσμο Luer ΕΚΡΟΗΣ του καθετήρα. Το κιτ έναρξης και οι σύνδεσμοι Luer ΕΙΣΡΟΗΣ και ΕΚΡΟΗΣ του καθετήρα έχουν πορτοκαλί χρώμα. Βεβαιωθείτε ότι στα άκρα των συνδέσμων Luer υπάρχει ικανοποιητική ποσότητα στείρου αλατούχου διαλύματος, ώστε η σύνδεση που θα γίνει να είναι αεροστεγής.

ΠΡΟΕΙΔΟΠΟΙΗΣΗ. Εάν το κιτ έναρξης συνδεθεί εσφαλμένα στον καθετήρα, αυτό θα μπορούσε να προκαλέσει αστοχία του καθετήρα.

ΠΡΟΕΙΔΟΠΟΙΗΣΗ. Μη χρησιμοποιείτε τα εξαρτήματα Luer ΕΙΣΡΟΗΣ και ΕΚΡΟΗΣ ως συνήθεις θύρες έγχυσης στην κεντρική γραμμή. Προορίζονται για σύνδεση στην κονσόλα Coolgard/Thermogard μόνο. Οι σύνδεσμοι Luer ΕΙΣΡΟΗΣ και ΕΚΡΟΗΣ του κιτ έναρξης προορίζονται για σύνδεση μόνο με τους συνδέσμους Luer ΕΙΣΡΟΗΣ και ΕΚΡΟΗΣ του καθετήρα. Έχουν προσαρμοσμένα εξαρτήματα της ZOLL τα οποία έχουν πορτοκαλί χρώμα για εύκολη αναγνώριση.

Προσοχή. Μην τοποθετείτε στη γραμμή καμία επιπλέον στρόφιγγα που μπορεί να κλείσει ακουσίως. Αυτό μπορεί να προκαλέσει απόφραξη στη γραμμή και πιθανή αστοχία.

Αφαίρεση του καθετήρα

1. Διακόψτε την άντληση αλατούχου διαλύματος διαμέσου του καθετήρα.
2. Αποσυνδέστε το κιτ έναρξης από τον καθετήρα. **Αφαιρέστε τα πώματα ή αφήστε χωρίς πώματα τα Luer ΕΙΣΡΟΗΣ και ΕΚΡΟΗΣ του καθετήρα.** Έτσι η υπολειπόμενη ποσότητα αλατούχου διαλύματος εντός του κυκλώματος θα κατορθώσει να συμπίεσει και να εξέλθει. Καθώς ο καθετήρας αποσύρεται, τα μπαλόνια συμπιέζονται. Το αλατούχο διάλυμα εντός των μπαλονιών πρέπει να είναι ελεύθερο να εξέλθει από το μπαλόνι, ειδάλλως, το μπαλόνι δεν θα αποδιογκωθεί, δυσκολεύοντας την αφαίρεση του καθετήρα.
3. Προαιρετικά, προσαρτήστε μια σύριγγα των 20 ή 25 cc στον σύνδεσμο Luer ΕΙΣΡΟΗΣ του καθετήρα. Αναρροφήστε και διατηρήστε την υποπίεση για 15 δευτερόλεπτα, επιτρέποντας στην υπολειπόμενη ποσότητα αλατούχου διαλύματος να απομακρυνθεί από το τμήμα του μπαλονιού του καθετήρα, πριν από την αφαίρεση του καθετήρα.

4. Τοποθετήστε τον ασθενή σε ύπτια θέση. Αφαιρέστε την επίδεση. Αφαιρέστε τα ράμματα από το σημείο συρραφής.
ΠΡΟΕΙΔΟΠΟΙΗΣΗ. Μην τοποθετείτε πώμα για Luer στο Luer ΕΚΡΟΗΣ.
5. Αφαιρέστε αργά τον καθετήρα από τον ασθενή. Καθώς ο καθετήρας εξέρχεται από το σημείο, ασκήστε πίεση με μια αεροστεγή επίδεση (π.χ. βαζελινούχα γάζα).
ΠΡΟΕΙΔΟΠΟΙΗΣΗ. Μη μετακινείτε τον καθετήρα εάν συναντήσετε αντίσταση. Ελέγξτε για να επιβεβαιώσετε ότι τα Luer ΕΙΣΡΟΗΣ και ΕΚΡΟΗΣ του κυκλώματος ψύξης ΔΕΝ είναι πωματισμένα. Εάν είναι πωματισμένα, αφαιρέστε τα πώματά τους, αποδιογκώστε το μπαλόνι και προσπαθήστε εκ νέου να αφαιρέσετε τον καθετήρα. Εάν εξακολουθείτε να συναντάτε αντίσταση, θα πρέπει να γίνει μια ακτινογραφία, προκειμένου να διαπιστωθεί η αιτία της αντίστασης.

Πληροφορίες για την ασφάλεια κατά τη μαγνητική τομογραφία



Ασφαλής υπό προϋποθέσεις για MR

Ο ενδοαγγειακός καθετήρας ανταλλαγής θερμότητας Icy είναι ασφαλής υπό προϋποθέσεις για MR. Οι ασθενείς που φέρουν αυτόν τον καθετήρα μπορούν να σαρωθούν με ασφάλεια υπό τις ακόλουθες προϋποθέσεις. Η μη τήρηση αυτών των προϋποθέσεων μπορεί να οδηγήσει σε τραυματισμό του ασθενούς.

Παράμετρος	Προϋπόθεση
Ονομαστικές τιμές στατικού μαγνητικού πεδίου (T)	1,5 T και 3,0 T
Μέγιστο πεδίο χωρικής διαβάθμισης (T/m και gauss/cm)	40 T/m (4.000 gauss/cm)

Παράμετρος	Προϋπόθεση
Τύπος διέγερσης RF	Κυκλικά πολωμένο (CP) (δηλ. ορθογωνικά επαγόμενο)
Στοιχεία πηνίου εκπομπής RF	Δεν υπάρχουν περιορισμοί του πηνίου εκπομπής RF. Κατά συνέπεια, μπορούν να χρησιμοποιηθούν τα ακόλουθα: πηνίο εκπομπής RF σώματος και όλοι οι άλλοι συνδυασμοί πηνίων RF (δηλ. πηνίο RF σώματος σε συνδυασμό με οποιοδήποτε πηνίο RF μόνο για λήψη, πηνίο RF εκπομπής/λήψης κεφαλής, πηνίο RF εκπομπής/λήψης γόνατος, κ.λπ.)
Τρόπος λειτουργίας συστήματος MR	Κανονικός τρόπος λειτουργίας
Μέγιστος SAR μεσοτιμημένος για όλο το σώμα	2-W/kg (κανονικός τρόπος λειτουργίας)
Περιορισμοί της διάρκειας σάρωσης	SAR μεσοτιμημένος για όλο το σώμα 2-W/kg επί 60 λεπτά συνεχούς έκθεσης σε RF (δηλ. ανά ακολουθία παλμού ή συνεχείς ακολουθίες/σειρές χωρίς διακοπές)
Τεχνήματα εικόνας MR	Η παρουσία του εμφυτεύματος αυτού προκαλεί τεχνήματα εικόνας. Επομένως, επιλέξτε προσεκτικά τις παραμέτρους της ακολουθίας παλμών εάν το εμφύτευμα βρίσκεται στην περιοχή ενδιαφέροντος.
ΠΡΟΕΙΔΟΠΟΙΗΣΗ	Οι κονσόλες Coolgard και Thermogard της ZOLL δεν είναι ασφαλές για μαγνητική τομογραφία και, ως εκ τούτου, αυτές οι κονσόλες δεν επιτρέπονται στην αίθουσα του συστήματος μαγνητικής τομογραφίας. Κατά συνέπεια ο καθετήρας πρέπει να αποσυνδεθεί από την κονσόλα πριν από τη μεταφορά του ασθενούς στην αίθουσα του συστήματος μαγνητικής τομογραφίας.

Οδηγίες χρήσης οδηγού σύρματος

Σημείωση. Οι πληροφορίες αυτές αφορούν αποκλειστικά τη χρήση των οδηγών συρμάτων κατά την τοποθέτηση του καθετήρα εντός του αγγειακού συστήματος, με χρήση της τεχνικής Seldinger.

Προειδοποιήσεις

Το παρεχόμενο οδηγό σύρμα έχει σχεδιαστεί για μία μόνο χρήση. Μην επαναποστειρώνετε και μην επαναχρησιμοποιείτε. Μην επανεισάγετε, εφόσον αφαιρεθεί από τον ασθενή.

Εάν συναντήσετε αντίσταση κατά τη διάρκεια της εισαγωγής ή της απόσυρσης, μη συνεχίζετε να μετακινείτε το οδηγό σύρμα. Προσδιορίστε την αιτία υπό ακτινοσκόπηση και προχωρήστε στις απαιτούμενες ενέργειες.

Να είστε εξαιρετικά προσεκτικοί όταν μετακινείτε ένα οδηγό σύρμα διαμέσου ενός στεντ. Η χρήση οδηγού σύρματος σε αγγεία που φέρουν στεντ ενέχει επιπλέον κίνδυνο για τον ασθενή.

Συστάσεις προσοχής

Αποφύγετε την απόσυρση του οδηγού σύρματος διαμέσου μεταλλικών βελονών, καθώς το οδηγό σύρμα ενδέχεται να διατμηθεί.

Λόγω της ευαίσθητης και εύθραυστης φύσης των οδηγών συρμάτων, απαιτείται ιδιαίτερη προσοχή στον χειρισμό τους. Αποφύγετε την κάμψη ή τη στρέβλωση. Μη χρησιμοποιείτε οδηγά σύρματα που έχουν υποστεί ζημιά.

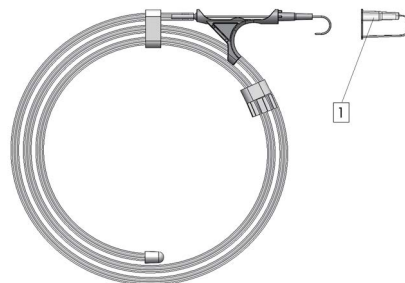
Κατά τη διάρκεια της φύλαξης ή διαδικασιών, αποφύγετε τη δημιουργία σπειρών στο οδηγό σύρμα με διάμετρο μικρότερη των 20,32 cm (8"), καθώς οι μικρότερες διαμέτρους δημιουργούν άσκοπες καταπονήσεις στο οδηγό σύρμα και μπορεί να προκαλέσουν τη στρέβλωσή του. Η παρεχόμενη διάταξη τοποθέτησης είναι το καλύτερο μέσο φύλαξης και χειρισμού του οδηγού σύρματος.

Σε κάθε χρονική στιγμή, πρέπει να παραμένει εκτεθειμένο ικανό μήκος οδηγού σύρματος, ώστε να είναι δυνατή η σταθερή σύλληψή του.

Διάταξη τοποθέτησης

Κάθε οδηγό σύρμα παρέχεται σε συσκευασία διάταξης τοποθέτησης μέσα σε θήκη από Tyvek. Αφαιρέστε το οδηγό σύρμα από τη θήκη από Tyvek. Αφαιρέστε το προστατευτικό πώμα του οδηγού σύρματος αμέσως πριν από τη χρήση του. Προετοιμάστε το οδηγό σύρμα πριν από την εισαγωγή του. Συνιστάται η πλήρωση της διάταξης τοποθέτησης με ηπαρισμένα διαλύματα (π.χ. αλατούχο διάλυμα ή διάλυμα δεξτρόζης), ώστε να είναι εμβαπτισμένο το οδηγό σύρμα κατά την εισαγωγή του.

Το προσχηματισμένο άκρο σχήματος «J» του οδηγού σύρματος θα ανακτήσει τη μορφή του όταν αφαιρεθεί από τη διάταξη τοποθέτησης του προϊόντος.



1. Προστατευτικό πώμα οδηγού σύρματος

Επιθεώρηση

Επιθεωρήστε το οδηγό σύρμα πριν από τη χρήση του και απορρίψτε το εάν φέρει οποιεσδήποτε παραμορφώσεις. Η τοποθέτηση του οδηγού σύρματος θα πρέπει να παρακολουθείται τακτικά μέσω ακτινογραφικής ή ακτινοσκοπικής διαδικασίας.

Τεχνική

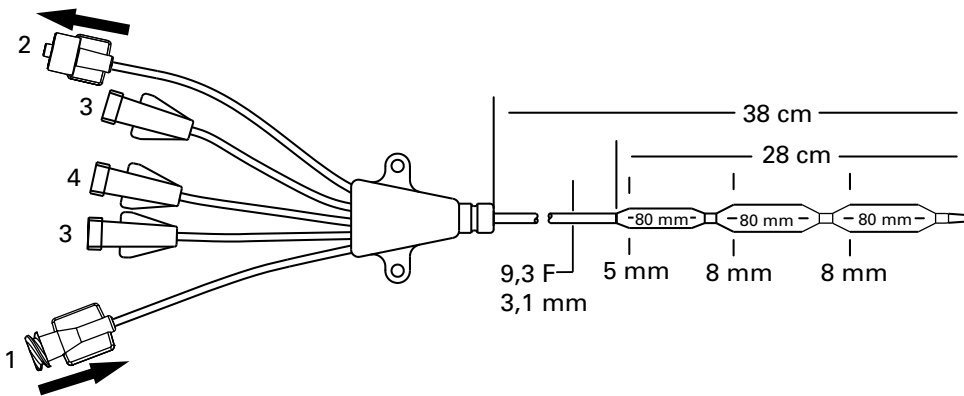
1. Παρακεντήστε το αγγείο.
2. Εισαγάγετε το οδηγό σύρμα εντός του ομφαλού της βελόνας και προωθήστε ήττα 5-10 cm του οδηγού σύρματος εντός του παρακεντηθέντος αγγείου. Κατευθύνετε το οδηγό σύρμα στην επιθυμητή θέση.

Προσοχή. Αποφύγετε τον βίαιο ή υπερβολικά επιθετικό χειρισμό του οδηγού σύρματος, προκειμένου να αποτραπεί η πρόκληση ζημιάς στο οδηγό σύρμα ή στο αγγείο.

3. Αφαιρέστε τη βελόνα από το οδηγό σύρμα.
4. Προχωρήστε σε διαστολή του ιστού και του αγγείου με τον διαστολέα, χρησιμοποιώντας ελαφρώς περιστροφική κίνηση.
5. Αφαιρέστε τον διαστολέα (ο αγγειακός διαστολέας προορίζεται μόνο για τη διαστολή του αγγείου).
6. Εισαγάγετε τον καθετήρα, ολισθαίνοντάς τον επί του οδηγού σύρματος.
7. Αφαιρέστε το οδηγό σύρμα.

Καθετήρας Icy

1. Luer ΕΙΣΡΟΗΣ
2. Luer ΕΚΡΟΗΣ
3. Θύρες έγχυσης
4. Περιφερικό Luer



©2024 ZOLL Medical Corporation. Με την επιφύλαξη παντός δικαιώματος. Τα ZOLL και Icy αποτελούν εμπορικά σήματα ή σήματα κατατεθέντα της ZOLL Medical Corporation ή/και της ZOLL Circulation Inc. στις Η.Π.Α ή/και σε άλλες χώρες. Όλα τα εμπορικά σήματα αποτελούν ιδιοκτησία των αντίστοιχων ιδιοκτητών.

Δίπλωμα ευρεσιτεχνίας: www.zoll.com/patents

简体中文 (cn)

型号 IC-3893AE/8700-0782-40 和 IC-3893CO/8700-0782-14

Icy[®] 血管内温度管理导管套件内含：

数量	说明
1 个 AE (CO)	Icy 血管内热交换导管 9.3F×38 厘米 三重输液鲁尔接头 延伸管路夹 不透射线管轴 Applause 肝素涂层
1 个 AE (CO)	导丝, 0.032 英寸 (0.81 毫米) ×75 厘米
1 个 AE (CO)	扩张器 10.5F×0.038 英寸 (3.6 毫米 ×1.0 毫米)
1 个 AE (CO)	固定扣 (可拆卸缝合扣和夹子)
1 个 AE	18 号 ×2.5 英寸 (1.3 毫米 ×63 毫米) 不透射线 OTN 导管
1 个 AE	5 毫升注射器和 22 号 ×1.5 英寸 (0.7 毫米 ×38 毫米) 穿刺针
1 个 AE	有孔铺单
1 个 AE	18 号 ×2.75 英寸 (1.3 毫米 ×70 毫米) 穿刺针
6 个 AE	4 英寸 ×4 英寸 (10 厘米 ×10 厘米) 纱布海绵
1 个 AE	000 丝缝合线
1 个 AE	11 号长柄手术刀片

注：各型号的套件组件

每个基本型号均配备标准支持插入套件 (AE) 或非标准支持插入套件 (CO)。两种套件的共同组件在上表中以 AE (CO) 标记。仅包括在标准套件中的其他组件则以 AE 标记。

产品说明

Icy 血管内热交换导管 (简称 “Icy 导管” 或 “导管”) 是单次使用的无菌、柔性 9.3F 导管, 旨在通过股静脉置入下腔静脉。Icy 导管应连接至单次使用的一次性 ZOLL[®] 启动套件和 Coolgard[®] 或 Thermogard[®] 系列控制台 (简称 “控制台”) (均单独提供)。经皮插入 Icy 导管需要扩张器和导丝。有三个鲁尔接头可用于输液和采样。

输液端口	流速	灌注量
远端 (褐色)	1700 毫升 / 小时	0.5 毫升
中间 (白色)	900 毫升 / 小时	0.4 毫升
近端 (蓝色)	1200 毫升 / 小时	0.4 毫升

导管的血液接触表面 (头端、球囊和轴) 用抗血栓性 Applause 肝素涂层处理。

灭菌

环氧乙烷灭菌。导管以无菌方式提供, 仅供单次使用, 不应重新灭菌。使用前应检查包装, 以确保无菌屏障未受损。包装标签上注有失效日期。

储存

存放在阴凉、干燥处。避免冷冻和温度过高。

预期用途

本产品可作为中心静脉插管置入患者腔静脉系统。温控盐水通过闭合管路在导管中循环, 并在血液经过球囊时与患者进行热交换, 以调节有中心静脉导管放置或体温过低风险的患者的核心体温。最长使用期限: 4 天。

禁忌症

1. 导管的风险与放置中心导管的风险基本相同。导管不应用于不适合放置中心导管的患者。
2. 出血体质。
3. 活动性败血症。
4. 导管插入部位感染或活动性出血。
5. 无法建立血管通路或血管系统无法容纳导管的患者, 包括有腔静脉滤器或其他植入物阻碍导管通过的患者。
6. 无法建立所需的体温监控的患者。
7. 禁忌在患有病情可因低温加重的血液疾病 (如产生冷球蛋白血症的任何疾病, 以及低温可加速引发溶血性贫血的任何血红蛋白病, 包括镰状细胞病或地中海贫血) 患者中使用低温。
8. 不适用于儿童或新生儿。

警告、注意事项、不良反应

该导管放置应仅由训练有素、精通解剖标志和安全技术的人员进行。使用人员也应该了解可能出现的并发症。

警告

导管应仅经由股静脉放置。不要将导管放入右心房或右心室。置入右心房和右心室可导致患者严重受伤或死亡。

仅为单次使用。本产品设计为仅限使用一次。不要重新灭菌或重复使用。从患者体内取出后, 请不要再次插入。不要以任何方式改装导管。

重复使用单次使用装置的潜在风险包括但不限于:

- 可能威胁生命的感染
- 因材料降解导致中毒性休克
- 血栓形成的风险增加
- 热交换能力下降
- 设备故障

警告。 Icy 导管和启动套件可能会与其他带有小口径接头的设备误连接。此类连接错误可能会导致患者受伤或死亡。

注意: 导管和启动套件中包含的定制鲁尔接头可以降低误连接的风险, 但在以下特定医疗设备应用中仍可能出现误连接: 呼吸系统和给予气体应用、胃肠系统应用、尿道和泌尿系统应用、肢带充气应用、神经轴应用, 以及血管内或皮下应用。将 ZOLL 导管和启动套件连接到上述和其他医疗设备应用时, 请务必小心。

注意: 确保 Icy 导管和 / 或启动套件未连接到静脉输液管路或其他医疗设备上。

1. 导管的定位应该使导管的远端头端在下腔静脉内, 下腔静脉与右心房交界的下方, 并与血管壁平行。应该使用 X 射线检查来确保导管不在右心房或右心室内。
2. **注意。** 如果在生理盐水回路中观察到血液, 请停止操作并检查导管是否泄漏。
3. 中心静脉导管可能出现的并发症包括: 心房或心室穿孔、心包填塞、空气栓塞、导管栓塞、胸导管裂伤、菌血症、败血症、血栓形成、意外动脉穿刺、血肿形成、出血、神经损伤和心律失常。

- 所有鲁尔锁连接和鲁尔帽均需拧紧，以防止空气栓塞、漏液或失血。
- 移动导管或导丝时切勿用力过大。如遇阻力，应进行 X 射线检查，确定产生阻力的原因。
- 将导丝导入右心可引起心律失常、右束支传导阻滞，以及血管壁、心房或心室穿孔。
- 仅使用无菌生理盐水进行导管灌注，并作为导管内的循环液体。
- 应定期检查导管的流速，敷料是否固定，导管位置是否正确，以及鲁尔锁连接是否牢靠。使用厘米标记来确定导管位置是否发生了变化。与多腔球囊导管有关的潜在风险是因未能通过输注腔灌注治疗药物而导致缺乏治疗。
- 只有 X 射线检查可确认导管头端是否未进入心脏或不再与血管壁平行放置。如果导管位置发生了变化，进行 X 射线检查来确认导管头端的位置。
- 采血时，暂时关闭其他输液端口（溶液通过这些端口输入）。
- 仅使用 30 毫升或更小的注射器来采血。
- 乙醇和丙酮可削弱管轴材料的结构。因此，输入含有乙醇的药物或使用乙醇或丙酮进行常规导管保养和维护时，应小心谨慎。不应使用乙醇来去除导管内的血块。
- 仅使用套件中提供的 ZOLL 固定扣，以防止导管损伤。
- 如果使用小于 10 毫升的注射器来冲洗阻塞的导管或去除阻塞导管内的血块，可导致腔内泄漏或导管破裂。
- 不要将治疗溶液输入橙色“流入”（IN）和“流出”（OUT）鲁尔锁连接，因为这会导致缺乏治疗。
- 患者发烧可由感染性和/或非感染性原因导致。发烧（其可能是感染征象）缓解后仍有必要每天仔细评估其他感染征象。
- 输入可能受较低温度（可低至 4°C）影响的药物时要小心谨慎。含甘露醇的溶液对温度敏感，不能通过导管输注。例外情况是快速推注浓度不超过 20% 的甘露醇溶液，随后使用生理盐水进行冲洗。必须通过单独的输液管路来静脉点滴或通过输液泵给予浓度超过 20% 的甘露醇溶液。
- 心包填塞：在右心房内放置留置导管的做法可导致心脏穿孔和填塞。放置中心静脉导管的人员必须了解这一潜在的致命并发症，以免将导管推进过多（相对于患者的身材）。插入后，应通过 X 射线来确认留置导管头端的实际位置。中心静脉导管不应置入右心房，除非持续时间相对较短的特定操作有特殊需要，如神经外科手术期间抽取空气栓塞。此类操作仍然有很高的风险，应密切监控和控制。
- 导管有肝素涂层。这可能诱发或加重原先存在的肝素诱发性血小板减少症（HIT）。
- 警告。**将输液器/注射系统连接到导管上时，压力不要超过 100 磅平方英寸（689 千帕）。
- 对于实施了低温处理的患者，低温本身就可能会加重某些病情。在低温期间，应注意适当监控患者是否出现出血或血凝块。
 - 心律失常，包括心动过缓和室性心律失常。
 - 血凝和凝血功能。在低温期间，应密切监控有血凝或凝血功能障碍风险的患者。
 - 血气和 pH 值分析。低温会改变静息时的 pH 值和二氧化碳分压。医生应该了解温度对这些结果的影响。
 - 长时间低温会抑制免疫应答和肺功能。

警告。腔内或球囊泄漏。腔内泄漏（生理盐水腔和输液腔之间）或球囊泄漏是一种可能出现的导管故障。如果出现此类故障，冷却回路中的无菌生理盐水将被引入到患者体内。如果发生腔内泄漏或球囊泄漏，盐水袋耗尽且系统停止后，通常会引发漏液警报。**请务必检查液位警报。**冷却回路是闭环系统。漏液警报通常表明闭环系统某处出现了泄漏。出现漏液警报后，应检查导管和启动套件的完整性（见下文）。

警告。如果您发现盐水袋已耗尽或发生空气积存管警报，请勿在确定泄漏位置并采取适当的缓解措施之前更换盐水袋。根据以下“检查启动套件是否泄漏”“检查启动套件是否泄漏”“检查导管是否泄漏”“检查导管是否泄漏部分中的说明检查系统泄漏情况。（请注意，泄漏可能是外部或内部泄漏。）

如果在没有检查盐水泄漏或漏液的情况下反复更换盐水袋，可能会导致盐水意外注入患者体内。盐水输注可能会导致以下不良反应：局部肿胀，可随后导致局部组织损伤；全身液体超负荷，可导致依赖性水肿和随后的皮肤破损；内脏液体超负荷，可随后导致脑、肺或心脏超负荷。在某些情况下，液体超负荷可能会导致危及生命的事件。

注意：当盐水袋变空时，控制台会发出警报。盐水袋必须完全排空，并且盐水刺钉和空气积存管之间的盐水必须排出，空气积存管中的盐水液位才会下降到足以触发警报。

检查启动套件是否泄漏

- 检查空气积存管是否有冷凝。如果空气积存管出现冷凝迹象，请擦拭空气积存管并重新安装到控制台中。如果发生空气积存管警报，请确认在此步骤后，空气积存管警报已清除。
- 仔细检查从盐水袋到控制台的盐水管路中是否有任何泄漏。检查地板、控制台或病床上是否有盐水。
- 如果地板、控制台或病床上有盐水，请检查导管和启动套件上的鲁尔接头是否破裂或损坏，并检查连接是否足够紧密以防止泄漏。
- 如果您发现启动套件有泄漏，请更换启动套件并检查导管中是否也有泄漏。
- 如果您没有在启动套件中发现任何泄漏，则导管中可能存在泄漏。请进一步检查。

检查导管是否泄漏

- 从导管上断开启动套件。使用无菌技术正确盖好导管和启动套件。
- 将无菌生理盐水注入 10 毫升无菌针尖注射器内。
- 将注射器连接到导管的“流入”（IN）接头，然后取下“流出”（OUT）鲁尔帽。注入 10 毫升生理盐水，生理盐水应该从“流出”（OUT）接头流出。如果生理盐水没有从“流出”（OUT）接头流出，则表明存在导管泄漏。
- 盖好“流出”（OUT）接头并抽 5 毫升的负压。保持至少 10 秒钟。最多应该有 4 毫升盐水（不是血液）流入注射器，您应该能够保持负压。如果在注射器中看到血迹或无法保持负压，则表明存在导管泄漏。
- 如果您发现导管有泄漏，请更换导管。
- 更换盐水袋并重新灌注启动套件。
- 请确保启动套件的鲁尔接头连接紧密，然后继续治疗。

温度管理必需材料

数量	说明
1	经皮引入的 Icy 导管套件
1	500 毫升无菌生理盐水袋（未提供） 启动套件（单独提供）
1	<ul style="list-style-type: none"> 6 英尺（183 厘米）标准管路或 9 英尺（274 厘米）延伸管路
1	Coolgard 或 Thermogard 控制台（单独提供）
1	导管便利套件 [仅适用于（CO）]
1	YSI-400 温度探头（未提供）

导管的准备和插入

注：导管具有一个不透射线的标记带，当使用 X 射线设备进行观察时，有助于在插入过程中和插入后确定导管。近端球囊的近侧有一个标记带。导管头端包含硫酸钡，使其不透射线。

采用无菌技术。

注意：导管上的“流入”（IN）和“流出”（OUT）鲁尔锁都是定制生产的，只能与“必需材料”中所列的启动套件连接。

准备导管

1. 患者取仰卧位。
2. 根据需要准备穿刺部位并铺单。
3. 小心地从包装中取出导管，保留导管保护膜。
4. 取下“流入”（IN）和“流出”（OUT）鲁尔帽。不要取下导管的保护膜，将无菌生理盐水注入 5 毫升或更大的注射器，然后将注射器连接到母“流入”（IN）鲁尔接头上。
警告。切勿在未取下“流出”（OUT）鲁尔帽的情况下向“流入”（IN）鲁尔接头施加正压。
5. 通过导管轻轻推注生理盐水，直到其开始从“流出”（OUT）鲁尔接头流出。
6. 用 5 毫升或更大的注射器，用无菌生理盐水冲洗远端、近端和中间的输液鲁尔腔。将注射帽夹在或附接到近端和中间的输液鲁尔腔上。不要盖上远端鲁尔帽，以便导丝通过。
注意：将导管插入患者体内前，务必先灌注导管输液鲁尔腔。
7. 取下导管保护膜。如果在取下导管保护膜时遇到阻力，用无菌盐水冲洗保护膜。检查导管，以确保热交换球囊中无空气。检查导管是否有泄漏。
注意：避免过度擦拭带涂层的导管。避免用干纱布擦拭导管，否则可能会损坏导管涂层。避免使用酒精、防腐剂溶液或其他溶剂对导管进行预处理，否则可能会导致涂层发生不可预测的变化，从而影响设备的安全性和性能。
警告。不要为了改变导管长度而切割导管。

插入导管

警告。仅使用股静脉通路。

1. 采用标准经皮穿刺技术获得股静脉通路，并用 0.032 英寸（0.81 毫米）导丝维持通路。请参阅导丝使用说明。
警告。不要尝试再次插入已部分或完全从其导管中撤出的 OTN（沿穿刺针）导引针。
注意：不要将大于 0.032 英寸（0.81 毫米）的导丝与导管配套使用。
2. 抓住导丝并固定，然后取下导引导管。
注意：始终牢牢抓住导丝。
3. 用手术刀的边缘扩大皮肤穿刺部位，手术刀应背离导丝。
警告。不要切割导丝。根据需要使血管扩张器扩大穿刺部位。不要将血管扩张器留作为留置导管使用，以便尽量减少潜在血管壁穿孔的风险。
4. 将导管头端穿过导丝。导管插入过程中应始终抓紧导丝。在皮肤附近抓住导管头端，将导管推进静脉。继续沿导丝推进导管，将手指放在球囊近端处。
5. 使用导管上的厘米标记作为定位参考点，将导管至少推进到最小标记数处，以确保近端输液端口在血管中。
6. 保持导管处在所需的深度，然后取出导丝。如果放置导管后尝试取出导丝时遇到阻力，导丝可能绞结在导管头端。如遇阻力，将导管相对于导丝撤出约 2 至 3 厘米，然后尝试取出导丝。如果再次遇到阻力，则同时取出导丝和导管。
注意：不要对导丝过度用力。

7. 确认取出的导丝完好无损。
8. 将注射器连接到远端输液鲁尔接头，并进行抽吸，直到观察到静脉血自由流出，以此检查导管的放置。根据需要，将输液鲁尔接头连接到适当的鲁尔锁管路上。使用标准医院操作规范，未使用的输液端口可用注射帽锁住。在变更管路和注射帽时，管路上提供的滑动夹可防止液体通过输液鲁尔腔流动。
注意：为了尽量减小因过度施压损坏管路的风险，通过鲁尔腔进行输液之前必须先打开滑动夹。
注意：不要夹住或阻塞“流入”（IN）或“流出”（OUT）管路，否则会导致管路阻塞，并可能出现故障。
9. 暂时固定并包扎插入部位和导管。
10. 放置后，立即通过胸部 X 射线确认导管头端的位置。X 射线检查必须显示导管位于下腔静脉内，且导管远端与下腔静脉壁平行。如果导管头端错位，重新定位并再次确认。
11. 不透射线的近端标记指示球囊的近端。确保球囊完全位于血管中。如果导管错位，重新定位并再次确认。
12. 将导管固定在患者身上。将固定扣侧翼作为主要缝合部位，以尽量减少导管移位的风险。
13. 也可以将 ZOLL 固定扣作为附加的固定点。确保导管体部已固定，不会滑动。
注意：仅使用套件中提供的 ZOLL 固定扣。使用其他固定扣和夹子可能会损坏导管。
注意：不要直接缝合到导管的外径，以尽量减少切割或损坏导管或阻碍导管流量的风险。
14. 按照医院操作规范包扎穿刺部位。采用无菌技术定期细致地更换敷料，以维护插入部位。
15. 在患者病历中记录留置导管长度（参考导管轴上的厘米标记）。经常目视检查进行重新评估，以确保导管未移动。
16. 将灌注好的启动套件连接到导管上：将启动套件的公鲁尔接头连接到导管的母“流入”（IN）鲁尔接头上。将启动套件的母鲁尔接头连接到导管的公“流出”（OUT）鲁尔接头上。“流入”（IN）和“流出”（OUT）延伸管路上松散地配有白色“ZOLL”标签，以帮助识别这些管路。
注：启动套件的“流入”（IN）和“流出”（OUT）鲁尔接头只能与导管的“流入”（IN）和“流出”（OUT）鲁尔接头连接，不应与标准鲁尔锁注射器连接。这些组件有 ZOLL 定制接头，为橙色，便于识别。
17. 确保鲁尔接头两端都有足量的无菌生理盐水，使得连接部位无气体。请参阅操作手册。
警告。如果未能正确地将启动套件连接到导管，可导致导管故障。不要将启动套件（橙色）鲁尔接头连接到蓝色、白色或褐色鲁尔接头上。
注意：不要将启动套件连接到远端端口。
注意：不要在可能会被意外关闭的管路中放置任何旋塞。否则会导致管路阻塞，并可能出现故障。
18. 将生理盐水泵入启动套件和导管，以确保所有连接都牢固且无泄漏。如操作手册中所述，必须排出系统中残留的任何空气。

从控制台上断开导管

1. 停止导管内生理盐水的循环。
2. 从导管上断开启动套件。
3. 为了保持无菌连接，应立即使用无菌鲁尔帽盖住导管和启动套件的鲁尔接头，或将“流入”（IN）和“流出”（OUT）鲁尔接头连接到一起。

将导管重新连接到控制台上

- 取下导管和启动套件的鲁尔接头的鲁尔帽并丢弃，或将“流入”（IN）和“流出”（OUT）鲁尔接头彼此断开。
- 将启动套件连接到导管上：将启动套件的公鲁尔接头连接到导管的母“流入”（IN）鲁尔接头上。将启动套件的母鲁尔接头连接到导管的公“流出”（OUT）鲁尔接头上。启动套件和导管的“流入”（IN）和“流出”（OUT）鲁尔接头是橙色的。确保鲁尔接头两端都有足量的无菌生理盐水，使得连接部位无气体。

警告。如果未能正确地将启动套件连接到导管，可导致导管故障。

警告。不要把“流入”（IN）和“流出”（OUT）鲁尔接头当成标准中心静脉导管输液端口。它们仅用于连接到 Coolgard/Thermogard 控制台。启动套件的“流入”（IN）和“流出”（OUT）鲁尔接头只能与导管的“流入”（IN）和“流出”（OUT）鲁尔接头连接。这些组件有 ZOLL 定制接头，为橙色，便于识别。

注意：不要在可能会被意外关闭的管路中放置任何额外的旋塞。否则会导致管路阻塞，并可能出现故障。

取出导管

- 停止向导管内泵送生理盐水。
- 从导管上断开启动套件。**取下导管的“流入”（IN）和“流出”（OUT）鲁尔帽，或不盖回鲁尔帽。**这将使回路中的剩余生理盐水排出。随着导管撤出，球囊被压缩。球囊中的生理盐水必须可自由流出球囊，否则球囊将无法回缩，使导管难以取出。
- 或者，将一支 20 毫升或 25 毫升注射器连接到导管的“流入”（IN）鲁尔接头上。拉动注射器并保持负压 15 秒，以在取出导管之前排出导管球囊部分中剩余的生理盐水。
- 患者取仰卧位。取下敷料。从缝合部位拆除缝线。

警告。不要把鲁尔帽盖在“流出”（OUT）鲁尔接头上。

- 慢慢从患者身上取下导管。随着导管从穿刺部位退出，用不透气敷料（如凡士林纱布）施压。

警告。如果感觉有阻力，请勿取出导管。检查以确保冷却回路的“流入”（IN）和“流出”（OUT）鲁尔接头都没有被盖上。如果这些鲁尔接头被盖上，则取下鲁尔帽，回缩球囊，然后尝试再次取出导管。如果仍然遇到阻力，应该进行 X 射线检查，以确定产生阻力的原因。

磁共振成像安全信息



在磁共振环境中
使用需满足一定
条件

Icy 血管内热交换导管可在满足一定条件的情况下进行磁共振扫描。在满足以下条件的情况下，体内有该导管的患者可以安全地进行磁共振扫描。如果未满足这些条件，可能会导致患者受伤。

参数	条件
静态磁场 (T) 标称值	1.5T 和 3.0T
最大空间场梯度 (特斯拉 / 米和高斯 / 厘米)	40 特斯拉 / 米 (4,000 高斯 / 厘米)
射频激发类型	圆极化 (CP) (即正交驱动)
发射射频线圈信息	无发射射频线圈限制。因此，可以使用以下线圈：身体发射射频线圈和其他任何射频线圈组合（即身体射频线圈与任何仅接收射频线圈、发射 / 接收头部射频线圈、发射 / 接收膝部射频线圈等组合）
磁共振系统的工作模式	正常工作模式
最大全身平均比吸收率 (SAR)	2W/ 千克 (正常工作模式)
扫描时间限制	全身平均比吸收率 (SAR) 为 2W/ 千克，连续射频暴露 60 分钟（即每个脉冲序列或背靠背序列 / 连续无间断）
磁共振图像伪影	本植入物会导致图像伪影。因此，如果植入物位于感兴趣的区域，请仔细选择脉冲序列参数。
警告	ZOLL Coolgard 和 Thermogard 控制台在磁共振环境中不安全，不得在磁共振系统机房中使用这些控制台。因此，在患者进入磁共振系统机房之前，必须将导管与控制台断开。

导丝使用说明

注：此信息仅适用于采用 Seldinger 技术将导管置入血管时使用导丝的情况。

警告

所提供的导丝设计为仅限单次使用。不要重新灭菌或重复使用。从患者体内取出后，请不要再插入。

如果插入或撤出时遇到阻力，不要继续移动导丝。在荧光透视下确定原因，并根据需要采取措施。

通过支架推进导丝时要特别小心。在置有支架的血管内使用导丝会对患者造成更大的风险。

注意

避免通过金属穿刺针撤出导丝，否则导丝可能会折断。

由于导丝脆弱易断，在使用时应格外小心。避免弯曲或扭结。不要使用损坏的导丝。

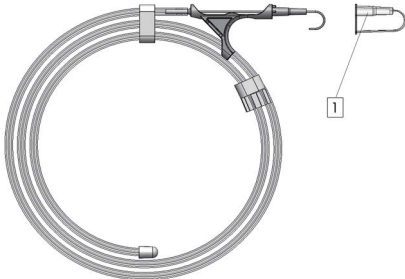
在储存或操作过程中，避免使导丝的盘绕直径小于 8 英寸（20.32 厘米），因为直径较小时会对导丝造成不必要的应力，并可能导致其扭结。所提供的分发器是用于储存和处理导丝的最佳方式。

导丝应有足够的长度暴露在外，以始终牢牢抓住导丝。

分发器

每根导丝都在分发器包中提供，并且装在 Tyvek 袋内。从 Tyvek 袋内取出导丝。在即将使用导丝前取下导丝的保护帽。插入前先准备导丝。建议在分发器中装入肝素溶液（例如，生理盐水或葡萄糖溶液），以在插入过程中浸润导丝。

从产品分发器中取出后，预成型的“J”形导丝将恢复原形。



1. 导丝保护帽

检查

使用前检查导丝，如果导丝存在任何变形，应丢弃。应按常规通过 X 射线或荧光操作监控导丝放置。

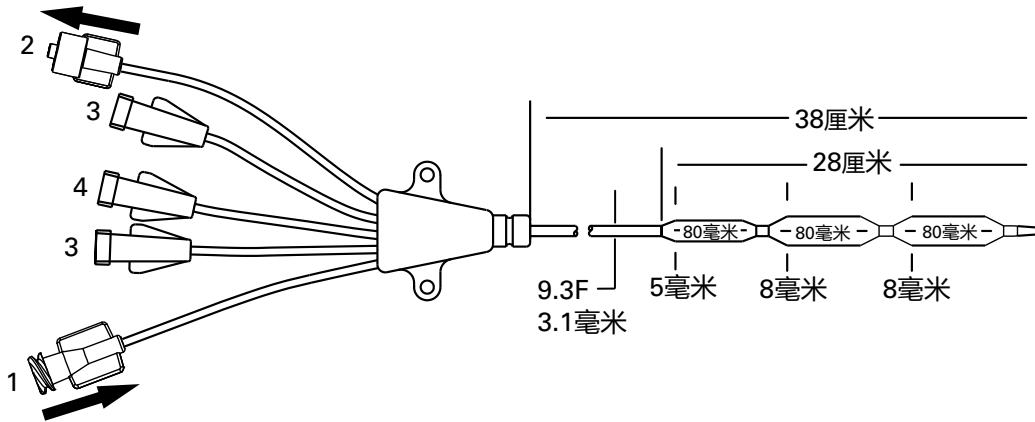
技术

1. 穿刺血管。
2. 将导丝插入穿刺针端口并轻轻将导丝推进 5 至 10 厘米，进入已穿刺的血管。引导导丝至所需位置。
注意：避免粗暴或过于剧烈地操作导丝，以防止损坏导丝或损伤血管。
3. 从导丝上取下穿刺针。
4. 轻轻捻转扩张器，扩张组织和血管。
5. 取出扩张器（血管扩张器仅用于扩张血管）。
6. 沿导丝滑动导管，以引入安导管。
7. 取出导丝。

产品名称：血管内热交换导管套件
型号：IC-3893CO
中华人民共和国国家食品药品监督管理总局证书：国械注进 20203030014
产品技术要求编号：进口编号 20203030014
制造商：ZOLL Circulation, Inc. 卓尔循环（美国）公司
制造商地址：2000 Ringwood Avenue, San Jose, CA 95131, USA（美国）
生产厂家地址：2000 Ringwood Avenue, San Jose, CA 95131, USA（美国）
代理商名称：ZOLL Medical Corporation（中国）
代理商地址：上海市张江高科技园区达尔文路 88 号 21 楼 3 层
代理商联系信息：021-51328983
生产日期：从失效日期减去 2 年
失效日期：见左下角
IFU 版本号：请参阅 IFU 封面
中国 IFU 发布日期：2019 年 12 月

Icy 导管

1. “流入” (IN) 鲁尔接头
2. “流出” (OUT) 鲁尔接头
3. 输液端口
4. 远端鲁尔接头



2024 年 ZOLL Medical Corporation 版权所有。保留一切权利。ZOLL 和 Icy 是 ZOLL Medical Corporation 和 / 或 ZOLL Circulation, Inc. 在美国和 / 或其他国家的商标或注册商标。所有商标均为其各自所有者的财产。

专利: www.zoll.com/patents

Norsk (no)

Modell IC-3893AE/8700-0782-40 og IC-3893CO/8700-0782-14

Icy® katetersett for intravaskulær varmeveksling inneholder:

Antall	Beskrivelse
1 AE(CO)	Icy kateter for intravaskulær varmeveksling 9,3 F x 38 cm Tre luerporter for infusjon Klemmer til forlengingsslange Røntgentett rør Overflatebehandlet med Applause-heparin
1 AE(CO)	Ledevaier, 0,81 mm (0,032 tommer) x 75 cm
1 AE(CO)	Kardilator, 3,6 x 1,0 mm (10,5 F x 0,038 tommer)
1 AE(CO)	Avtakbar suturholder og -klemme
1 AE	Røntgentett OTN-kateter (Over-The-Needle), 1,3 x 63 mm (18 G x 2,5 tommer)
1 AE	5 ml sprøyte og nål, 0,7 x 38 mm (22 G x 1,5 tommer)
1 AE	Fenestret duk
1 AE	Nål, 1,3 x 70 mm (18 G x 2,75 tommer)
6 AE	Gaskompresser, 10 x 10 cm (4 x 4 tommer)
1 AE	Silkesutur, 000
1 AE	Skalpellblad nr. 11 med langt håndtak

Merk – Settets komponenter etter modell

Hver grunnmodell leveres med et standard innføringssett (AE) eller uten et standard innføringssett (CO). Komponentene som er felles for begge sett, er merket «AE(CO)» i tabellen ovenfor. Tilleggskomponenter som bare medfølger i standardsettet, er merket «AE».

Produktbeskrivelse

Icy-kateteret for intravaskulær varmeveksling («Icy-kateteret» eller «kateteret») er et sterilt, bøyelig engangskateter i størrelsen 9,3 F, som skal plasseres i vena cava inferior fra et innføringssted i vena femoralis. Icy-kateteret skal kobles til et startsett fra ZOLL®, som er et engangsprodukt, og en konsoll i Coolgard®- eller Thermogard®-serien («konsollen») (alt selges separat). En dilatator og ledevaier trengs for perkutan innføring av Icy-kateteret. Tre luerporter er tilgjengelige for infusjon og prøvetaking.

Infusjonsport	Flythastighet	Fyllevolum
Distal (brun)	1700 ml/t	0,5 ml
Medial (hvit)	900 ml/t	0,4 ml
Proksimal (blå)	1200 ml/t	0,4 ml

Kateterflatene som kommer i kontakt med blod (spiss, ballong og rør), er overflatebehandlet med antitrombotisk Applause-heparin.

Sterilitet

Sterilisert med etylenoksid. Kateteret leveres sterilt til engangsbruk og skal ikke steriliseres på nytt. Emballasjen skal inspiseres før bruk for å påse at den sterile barrieren ikke er skadet.

Oppbevaring

Oppbevares kjølig og tørt. Unngå kuldegrader og sterk varme.

Tiltenkt bruk

Icy-kateteret i kombinasjon med Coolgard- eller Thermogard-systemet gir sirkulasjon av temperaturregulert saltløsning gjennom en varmeveksler for å avkjøle / varme opp pasientens blod der bruk av sentralt venekateter ville være risikabelt. Maksimum bruksperiode: 4 dager.

Kontraindikasjoner

1. Risikofaktorene ved bruk av kateteret er hovedsakelig de samme som for et sentralt venekateter. Kateteret skal ikke brukes på pasienter der bruk av sentralt venekateter ikke er indisert.
2. Blødningsdiatese.
3. Aktiv sepsis.
4. Infeksjon eller aktiv blødning på innføringsstedet for kateteret.
5. Pasienter uten vaskulær tilgang eller med et vaskulært system som hindrer bruk av kateter, herunder pasienter med vena cava-filter eller andre implanterte hindringer for kateterinnføring.
6. Pasienter som ikke kan få den nødvendige temperaturovervåkingen.
7. Hypotermi er kontraindisert hos pasienter med hematologiske sykdommer som forverres ved hypotermi (f.eks. sykdommer som gir kryoglobulinemi samt alle typer hemoglobinopati der hemolytisk anemi kan utløses av kulde, herunder sigdcellesykdom eller talassemi).
8. Skal ikke brukes på barn eller nyfødte.

Advarsler, forholdsregler og bivirkninger

Kateterisering med sentralt venekateter skal bare utføres av personell med god opplæring og gode ferdigheter i anatomiske landemerker og sikker teknikk. Personell skal også ha kunnskap om potensielle komplikasjoner.

ADVARSEL

Kateteret skal bare plasseres via vena femoralis. Plasser ikke kateteret i høyre atrium eller høyre ventrikkel. Plassering i høyre atrium eller høyre ventrikkel kan medføre alvorlig pasientskade eller dødsfall.

Bare til engangsbruk. Produktet er bare til engangsbruk. Skal ikke steriliseres på nytt eller gjenbrukes. Produktet skal ikke settes inn igjen etter at det er fjernet fra pasienten. Modifiser ikke kateteret på noen måte.

Gjenbruk av engangsutstyr medfører blant annet følgende risiko:

- potensielt livstruende infeksjon
- toksisk sjokk som følge av materialforringelse
- økt risiko for trombose
- redusert varmevekslingseffekt
- utstyrsfeil

ADVARSEL. Icy-kateteret og startsettet kan potensielt feilkobles til annet utstyr med små, runde koblinger. Slike tilkoblingsfeil kan medføre pasientskade eller dødsfall.

Obs! De spesiallagde luerportene på kateteret og startsettet kan redusere risikoen for feilkobling. Det foreligger likevel risiko for feilkobling til følgende spesifikke typer medisinsk utstyr: pustesystemer og utstyr for administrering av gass, tarm- og mageutstyr, urinrør- og urineringsutstyr, utstyr til blodtrykksmåling, neuraksialt utstyr samt intravaskulært og subkutant utstyr. Vær alltid forsiktig når ZOLL-katetre og startsett kobles til slikt og annet medisinsk utstyr.

Obs! Påse at Icy-kateteret og/eller startsettet ikke feilkobles til intravenøst eller annet medisinsk utstyr.

- Kateteret skal posisjoneres slik at kateterets distale spiss ligger i vena cava inferior, nedenfor munningen til høyre atrium og parallelt med karveggen. Bruk røntgenundersøkelse for å påse at kateteret ikke ligger i høyre atrium eller ventrikkel.
- Obs!** Hvis du observerer blod i kretsen med saltløsning, skal du stanse prosedyren og se etter kateterlekkasje.
- Potensielle komplikasjoner som kan oppstå med sentrale venekatetre: perforasjon av atrium eller ventrikkel, hjertetamponade, luftemboli, kateteremboli, skade på ductus thoracicus, bakteriemi, septikemi, trombose, utilsiktet arteriepunktur, hematombildning, blødning, nerveskade og dysrytmi.
- Alle luerporter og hetter må strammes godt for å hindre luftemboli eller væske- eller blodtap.
- Bruk ikke makt når du beveger kateteret eller ledevaieren. Hvis du kjenner motstand, skal det utføres en røntgenundersøkelse for å identifisere årsaken til motstanden.
- Hvis ledevaieren føres inn i høyre del av hjertet, kan det oppstå dysrytmi, høyre grenblokk eller perforasjon av karvegg, atrium eller ventrikkel.
- Fyll bare kateteret med steril, normal saltløsning. Dette er sirkulasjonsvæsken i kateteret.
- Kateteret skal inspiseres regelmessig for flythastighet, bandasjefeste, riktig kateterposisjon og sikre luerkoblinger. Bruk centimetermerkene til å sjekke om kateterets posisjon er endret. En potensiell risiko i tilknytning til ballongkatetre med flere løp er behandlingssvikt, herunder manglende infusjon av medikamenter gjennom infusjonsløpene.
- Bare ved røntgenundersøkelse er det mulig å påse at kateterspissen ikke har kommet inn i hjertet eller oppdage at den ikke lenger ligger parallelt med karveggen. Hvis kateterets posisjon er endret, skal det utføres en røntgenundersøkelse for å bekrefte kateterspissens posisjon.
- Før blodprøvetaking skal de andre infusjonsportene der løsninger infunderes, lukkes.
- Bruk en sprøyte på 30 ml eller mindre til blodprøvetaking.
- Sprit og aceton kan svekke rørmaterialets struktur. Vær derfor forsiktig ved infusjon av medikamenter som inneholder sprit, eller ved bruk av sprit eller aceton til rutinemessig stell og vedlikehold av kateteret. Bruk ikke sprit til å fjerne koagulert blod i kateteret.
- Bruk en ZOLL avtakbar suturholder og -klemme, som fulgte med i settet, for å hindre skade på kateteret.
- Bruk av en sprøyte som er mindre enn 10 ml til å skylle eller fjerne koagulert blod i et okkludert kateter, kan medføre intraluminal lekkasje eller kateterruptur.
- Infunder ikke gjennom de oransje IN- og OUT-luerportene, da dette vil medføre at det ikke gis behandling.
- Feber hos pasienter kan oppstå på grunn av infeksjon og/eller andre årsaker. Ved nedsetting av feber som tegn på mulig infeksjon, skal det utføres daglige, grundige vurderinger for å avdekke andre tegn på infeksjon.
- Vær forsiktig ved infusjon av medikamenter som kan påvirkes av lave temperaturer (ned til 4 °C). Løsninger som inneholder mannitol, er temperatursensitive og skal ikke gis gjennom kateteret, med unntak av et raskt støt med en løsning med opptil 20 % mannitol, etterfulgt av gjennomskylning med saltløsning. Administrering av en konsentrasjon bestående av mer enn 20 % mannitol via drypp eller infusjonspumpe, må foregå gjennom en separat slange.
- Hjertetamponade: Plassering av permanente katetre i høyre atrium kan føre til hjerteperforasjon og hjertetamponade. Helsepersonell som setter inn sentrale venekatetre, må være klar over denne potensielt dødelige komplikasjonen før kateteret føres for langt inn i forhold til pasientens størrelse. Den faktiske posisjonen til spissen på det permanente kateteret skal bekreftes ved hjelp av røntgen etter innsetting. Sentrale venekatetre skal ikke plasseres i høyre atrium, med mindre det er spesifikt påkrevd

ved spesielle, relativt kortvarige inngrep, for eksempel aspirering av luftemboli under nevrokirurgi. Slike inngrep er uansett risikable og skal overvåkes og kontrolleres nøye.

- Kateteret er overflatebehandlet med heparin. Dette kan utløse eller forverre eksisterende heparinindusert trombocytopeni (HIT).
- ADVARSEL.** Overstig ikke 100 psi / 689 kPa ved tilkobling av infusjonssett/-injeksjonssystemer til kateteret.
- For pasienter som skal avkjøles, kan hypotermien i seg selv forverre enkelte sykdomstilstander. Vær nøye med å overvåke pasientens homeostase under hypotermi.
 - Hjerterytmeforstyrrelser – både bradykardi og ventrikulær takyarytmi.
 - Koaguleringssevne. Pasienter med risiko for forstyrrelser i koaguleringssevnen, skal overvåkes nøye under hypotermi.
 - Blodgass- og pH-analyse. Hypotermi endrer pH-verdi og PaCO₂ i hviletilstand. Leger skal være klar over temperaturens effekt på resultatet.
 - Langvarig hypotermi hemmer immunresponsen og lungefunksjonen.

ADVARSEL. Intraluminal lekkasje eller ballonglekkasje.

Intraluminal lekkasje (mellom saltløsningsløp og infusjonsløp) eller ballonglekkasje er en potensiell kateterfeil. Ved en slik feil vil steril saltløsning fra kjølekretsen komme inn i pasienten. Intraluminal lekkasje eller ballonglekkasje medfører som oftest en alarm om væsketap når saltløsningsposen er tom, og stanser systemet.

Undersøk alltid alarmer om væsketilnivå. Kjølekretsen er et lukket sløyfesystem – alarmer om væsketap tyder vanligvis på at det har oppstått et brudd et sted i den lukkede sløyfen. Ved alle alarmer om væsketap skal du kontrollere at både kateteret og startsettet er intakt (se nedenfor).

ADVARSEL. Hvis du oppdager en tom saltløsningspose eller luftfellealarm, skal du ikke skifte saltløsningsposen før du har identifisert lekkasjestedet og utført riktig retting. Se etter systemlekkasjer i samsvar med anvisningene i del Se etter lekkasje i startsettet og Se etter kateterlekkasje nedenfor. (Vær oppmerksom på at en lekkasje kan være ekstern eller intern.)

Hvis saltløsningsposen skiftes gjentatte ganger uten at brukeren undersøker lekkasjen eller saltløsningsstapet nærmere, kan pasienten utilsiktet få infundert saltløsning. Infusjon av saltløsning kan medføre følgende bivirkninger: lokal hevelse som kan forårsake etterfølgende lokal vevsskade, systemisk overbelastning med væske som kan medføre perifer ødem og etterfølgende hudnedbrytning, overbelastning med væske i indre organer, med etterfølgende overbelastning av hjerne, lunger eller hjerte. Slik overbelastning med væske kan i enkelte tilfeller føre til livstruende hendelser.

Obs! Konsollen avgir en alarm når saltløsningsposen er tom. Posen må være helt tom og ekstra saltløsning mellom saltløsningsspiken og luftfellen tappet ut for at saltløsningsnivået i luftfellen skal bli lavt nok til at alarmen utløses.

Se etter lekkasje i startsettet

- Se etter kondens i luftfellen. Hvis du ser kondens i luftfellen, skal du tørke luftfellen og installere den i konsollen på nytt. Hvis luftfellealarmen er utløst, skal du verifisere at luftfellealarmen er fjernet etter dette trinnet.
- Undersøk saltløsningsbanen fra saltløsningsposen til konsollen nøye for å se etter lekkasje. Se etter saltløsning på gulvet, konsollen eller pasientsengen.
- Hvis du finner saltløsning på gulvet, konsollen eller pasientsengen, skal du kontrollere at luerportene på kateteret og startsettet ikke har sprekker eller er skadet, og at koblingene er stramme nok til å hindre lekkasje.

4. Hvis du finner en lekkasje i startsettet, skal du skifte startsettet og sjekke om kateteret også har lekkasje.
5. Hvis startsettet ikke lekker, har det sannsynligvis oppstått lekkasje i kateteret. Undersøk nærmere.

Se etter kateterlekkasje

1. Koble startsettet fra kateteret. Steng av både kateteret og startsettet ved bruk av aseptisk teknikk.
2. Fyll en steril 10 ml sprøyte med slippspiss med steril saltløsning.
3. Koble sprøyten til IN-luerporten på kateteret, og koble fra OUT-porten. Infunder 10 ml saltløsning – saltløsningen skal strømme ut av OUT-luerporten. Hvis saltløsningen ikke strømmer ut av OUT-luerporten, har det sannsynligvis oppstått kateterlekkasje.
4. Steng av OUT-luerporten, og trekk opp 5 ml vakuum. Hold i minst 10 sekunder. Opptil 4 ml saltløsning (ikke blod) skal komme inn i sprøyten, og det skal være mulig å bevare vakuum. Hvis du ser blodspor i sprøyten eller ikke klarer å bevare vakuum, har det sannsynligvis oppstått kateterlekkasje.
5. Hvis du finner kateterlekkasje, skal kateteret skiftes.
6. Skift saltløsningspose, og fyll startsettet på nytt.
7. Påse at luerkoblingene til startsettet er lekkasjefrie, og fortsett behandlingen.

Nødvendig materiell

Antall	Beskrivelse
1	Icy katetersett for perkutan innføring
1	500 ml pose med steril, normal saltløsning (medfølger ikke)
	Startsett (selges separat)
1	<ul style="list-style-type: none"> • standardslange på 183 cm (6 fot) eller • ekstra lang slange på 274 cm (9 fot)
1	Coolgard- eller Thermogard-konsoll (selges separat)
1	Støttesett for kateter (bare for [CO])
1	YSI-400 temperaturprobe (medfølger ikke)

Klargjøring og innføring av kateteret

Merk. Kateteret har et røntgentett markørbånd, som gjør det enklere å identifisere det ved hjelp av røntgenutstyr under og etter innføring. Den proksimale enden av den proksimale ballongen har ett markørbånd. Kateterspissen inneholder bariumsulfat for å gjøre den røntgentett.

Bruk steril teknikk.

Obs! IN- og OUT-luerportene på kateteret er spesiallagde og skal bare kobles til startsettet som er oppført under «Nødvendig materiell».

Klargjøre kateteret

1. Legg pasienten i ryggeleie.
2. Preparer og dekk innstikkstedet etter behov.
3. Ta kateteret forsiktig ut av emballasjen, og la membranen som dekker kateteret, være på.
4. Ta av hettene på IN- og OUT-luerportene. La membranen som dekker kateteret, være på. Fyll sprøyten (5 ml eller større) med steril saltløsning, og koble sprøyten til hunnluerporten («IN»).

ADVARSEL. Injisjer aldri positivt trykk inn i IN-luerporten mens OUT-luerhetten er på.

5. Injisjer saltløsning forsiktig gjennom kateteret til den begynner å komme ut av OUT-luerporten.

6. Bruk en sprøyte på 5 ml eller mer til å skylle den distale, proksimale og mediale luerporten for infusjon med steril saltløsning. Klem av eller sett injeksjonshetter på den proksimale og mediale luerporten for infusjon. La den distale luerporten være åpen for ledevaierpassasje.

Obs! Fyll alltid luerportene for infusjon på kateteret før kateteret føres inn i pasienten.

7. Fjern membranen som dekker kateteret. Hvis du kjenner motstand når du skal fjerne membranen fra kateteret, skyller du membranen med steril saltløsning. Inspiser kateteret for å påse at luft er fjernet fra varmevekslingsmembranen. Inspiser kateteret for lekkasjer.

Obs! Unngå å tørke det overflatebehandlede kateteret for mye. Unngå å tørke kateteret med tørr gas, da dette kan skade kateterbelegget. Unngå å forbehandle kateteret med sprit, antiseptiske løsninger eller andre løsemidler, da dette kan medføre uforutsigbare endringer i belegget, som kan påvirke utstyrets sikkerhet og ytelse.

ADVARSEL. Skjær ikke i kateteret for å endre lengden.

Føre inn kateteret

ADVARSEL. Skal bare plasseres via vena femoralis.

1. Få tilgang til vena femoralis ved hjelp av standard perkutan teknikk. Tilgangen skal opprettholdes med en 0,81 mm (0,032 tommer) ledevaier. Se bruksanvisningen for ledevaieren.

ADVARSEL. Forsøk ikke å gjeninnføre en delvis eller helt uttrukket OTN-innføringsnål fra kateteret.

Obs! Bruk ikke større ledevaier enn 0,81 mm (0,032 tommer) med kateteret.

2. Fjern innføringskateteret, mens du holder ledevaieren på plass.
3. Utvid det kutane innstikkstedet med skalpellens skjærekant vendt bort fra ledevaieren.

ADVARSEL. Skjær ikke i ledevaieren. Bruk en kardilatator til å utvide stedet etter behov. La ikke kardilatatoren bli sittende på plass som et permanent kateter, for å redusere risikoen for perforasjon av karveggen.

4. Tre kateterspissen over ledevaieren. Hold godt tak i ledevaieren under innføring av kateteret. Ta tak i kateterspissen nær huden, og før kateteret inn i venen. Fortsett å føre kateteret inn over ledevaieren, mens du holder fingrene like proksimalt for ballongen.

5. Bruk centimetermerkene på kateteret som referansepunkter for posisjonering. Før kateteret inn til minst minimum markørnummer for å være sikker på at den proksimale infusjonsporten er inne i karet.

6. Hold kateteret i ønsket dybde, og fjern ledevaieren. Hvis du kjenner motstand når du prøver å fjerne ledevaieren etter kateterplassering, kan ledevaieren være bøyd ved kateterspissen. Hvis du kjenner motstand, skal du trekke kateteret cirka 2–3 cm ut i forhold til ledevaieren og forsøke å fjerne ledevaieren. Hvis du kjenner motstand enda en gang, skal du fjerne ledevaieren og kateteret samtidig.

Obs! Bruk ikke makt på ledevaieren.

7. Kontroller at ledevaieren er intakt etter at den er fjernet.
8. Kontroller kateterets plassering ved å koble en sprøyte til den distale luerporten for infusjon og aspirere til du observerer fri flyt av venøst blod. Koble luerporten for infusjon til den riktige luerlåslingen etter behov. Den ubrukte infusjonsporten kan lases gjennom injeksjonshetten ved bruk av sykehusets standard retningslinjer. Slangen har en glideklemme, som blokkerer væskeflyten gjennom luerporten for infusjon under bytte av slanger og injeksjonshetter.

Obs! Klemmen må åpnes før infusjon gjennom luerporten, for å redusere risikoen for skade på slangen som følge av stort trykk.

Obs! Unngå å klemme av eller blokkere IN- eller OUT-slangene. Dette kan medføre slangeblokkering og mulig feil.

9. Fest kateteret, og bandasjer innstikkstedet og kateteret, midlertidig.
10. Verifiser kateterspissens posisjon ved hjelp av røntgen thorax umiddelbart etter plassering. Røntgenundersøkelsen skal vise kateteret i vena cava inferior, med kateterets distale ende parallell med veggen i vena cava. Hvis kateterspissen er feilplassert, skal du plassere den på nytt og verifisere plasseringen en gang til.
11. Den proksimale røntgentette markøren viser ballongens proksimale ende. Påse at hele ballongen ligger inne i karet. Hvis kateteret er feilplassert, skal du plassere det på nytt og verifisere plasseringen en gang til.
12. Fest kateteret til pasienten. Bruk sidevingene på suturholderen som primært sutursted for å redusere risikoen for katetermigrasjon.
13. En ZOLL suturholder og -klemme kan også brukes som et ekstra festepunkt. Påse at selve kateteret er godt festet og ikke glir.
Obs! Bruk bare ZOLL suturholder og -klemme, som fulgte med i settet. Kateteret kan skades hvis andre typer holdere eller klemmer brukes.
Obs! Suturer ikke direkte til kateterets utvendige diameter, for å redusere risikoen for kutt eller annen skade på kateteret eller forhindring av væskeflyten gjennom kateteret.
14. Bandasjer innstikkstedet i samsvar med sykehusets retningslinjer. Stell innføringsstedet med jevnlig og nøye bandasjeskift ved bruk av aseptisk teknikk.
15. Noter lengden på det permanente kateteret i pasientens journal ved å bruke centimetermerkene på kateterrøret som referanse. Foreta hyppige visuelle vurderinger for å sjekke at kateteret ikke har forskjøvet seg.
16. Koble et fylt startsett til kateteret: Koble hannluerporten på startsettet til hunnluerporten på kateteret (merket «IN»). Koble hunnluerporten på startsettet til hannluerporten på kateteret (merket «OUT»). Hvite «ZOLL»-merker henger løst på IN- og OUT-forlengingsslangene for å gjøre det lettere å identifisere dem.
Merk. IN- og OUT-luerportene på startsettet skal bare kobles til IN- og OUT-luerportene på kateteret og er ikke tiltenkt for kobling til standard sprøyter med luerlås. De har spesiallagde koblinger fra ZOLL og er oransje for enkel identifikasjon.
17. Påse at det finnes nok steril saltløsning i endene av luerportene til at tilkoblingen blir luftfri. Se brukerhåndboken.
ADVARSEL. Hvis startsettet ikke kobles til kateteret på riktig måte, kan det oppstå feil på kateteret. Koble ikke luerportene på startsettet (oransje) til den blå, hvite eller brune luerporten.
Obs! Koble ikke startsettet til den distale porten.
Obs! Plasser ikke stoppekraner på slangen som kan stenges av ved et uhell. Dette kan medføre slangeblokkering og mulig feil.
18. Pump saltløsning gjennom startsettet og kateteret for å påse at alle koblinger er godt festet og lekkasjefrie. La eventuell gjenværende luft i systemet bli presset ut, som beskrevet i brukerhåndboken.

Frakoble kateteret fra konsollen

1. Stans sirkulasjonen av saltløsning gjennom kateteret.
2. Koble startsettet fra kateteret.
3. Bevar koblingene sterile ved umiddelbart å sette sterile luerhetter på luerportene på både kateteret og startsettet, eller koble IN- og OUT-luerportene sammen.

Koble kateteret til konsollen på nytt

1. Fjern luerhettene fra luerportene på kateteret og startsettet. Kast luerhettene, eller koble IN- og OUT-luerportene fra hverandre.
2. Koble startsettet til kateteret: Koble hannluerporten på startsettet til hunnluerporten på kateteret («IN»). Koble hunnluerporten på startsettet til hannluerporten på kateteret («OUT»). IN- og OUT-luerportene på startsettet og kateteret er oransje. Påse at det finnes nok steril saltløsning i endene av luerportene til at tilkoblingen blir luftfri.

ADVARSEL. Hvis startsettet ikke kobles til kateteret på riktig måte, kan det oppstå feil på kateteret.

ADVARSEL. Koble ikke IN- og OUT-luerkoblingene til infusjonsportene på standard sentrale venekatetre. De skal bare kobles til Coolgard- eller Thermogard-konsollen. IN- og OUT-luerportene på startsettet skal bare kobles til IN- og OUT-luerportene på kateteret. De har spesiallagde koblinger fra ZOLL og er oransje for enkel identifikasjon.

Obs! Sett ikke ekstra stoppekraner på slangen som kan stenges av ved et uhell. Dette kan medføre slangeblokkering og mulig feil.

Fjerne kateteret

1. Stans pumpingen av saltløsning gjennom kateteret.
2. Koble startsettet fra kateteret. **Fjern hettene, eller la hettene være fjernet, på IN- og OUT-luerportene på kateteret.** Det gjør at gjenværende saltløsning i kretsen presses ut. Når kateteret trekkes ut, blir ballongene komprimert. Saltløsning i ballongene må få komme ut av ballongen, ellers er det ikke mulig å få ballongen flat, noe som gjør det vanskelig å fjerne kateteret.
3. Koble eventuelt en 20 eller 25 ml sprøyte til IN-luerporten på kateteret. Trekk opp og hold vakuüm i 15 sekunder, slik at gjenværende saltløsning fjernes fra kateterets ballongdel før kateteret fjernes.
4. Legg pasienten i ryggleie. Fjern bandasjen. Fjern suturene fra suturstedet.
ADVARSEL. Sett ikke luerhette på OUT-luerporten.
5. Fjern kateteret langsomt fra pasienten. Når kateteret kommer ut fra stedet, legger du på trykk med en lufttett bandasje (f.eks. vasilinkompress).
ADVARSEL. Beveg ikke kateteret hvis du kjenner motstand. Kontroller at IN- og OUT-luerportene i kjølekretsen IKKE er avstengt. Hvis de er avstengt, tar du av hettene, tømmer ballongen og prøver å fjerne kateteret på nytt. Hvis du fremdeles kjenner motstand, skal det utføres en røntgenundersøkelse for å identifisere årsaken til motstanden.

Informasjon om MR-sikkerhet



Trygt ved MR
på visse
betingelser

Icy-kateteret for intravaskulær varmeveksling er trygt ved MR på visse betingelser. En pasient med dette kateteret kan trygt skannes på følgende betingelser. Unnlattelse av å overholde disse betingelsene kan medføre pasientskade.

Parameter	Betingelse
Nominelle verdier for statisk magnetfelt (T)	1,5 og 3,0 T
Maksimal spatial feltgradient (T/m og gauss/cm)	40 T/m (4000 gauss/cm)
Type RF-eksitasjon	Sirkulærpolarisert (CP) (dvs. kvadraturdevet)
Informasjon om RF-sendespoler	Det foreligger ingen restriksjoner for RF-sendespoler. Derfor kan følgende brukes: RF-sendespole for kropp og alle andre kombinasjoner av RF-spoler (dvs. RF-sendespole for kropp kombinert med alle typer rene RF-mottakerspoler, RF-sende-/mottakerspoler for hode, RF-sende-/mottakerspoler for kne osv.).
Driftsmodus for MR-systemet	Normal driftsmodus

Parameter	Betingelse
Maksimal gjennomsnittlig spesifikk absorpsjonsrate (SAR) for hele kroppen	2 W/kg (normal driftsmodus)
Begrensninger for skannevarighet	Gjennomsnittlig spesifikk absorpsjonsrate (SAR) for hele kroppen på 2 W/kg ved 60 minutters kontinuerlig RF-eksponering (dvs. per pulssekvens eller fortløpende sekvenser / serier uten pause).
Artefakt på MR-bildet	Tilstedeværelsen av dette implantatet produserer et bildeartefakt. Parametre for pulssekvensen skal derfor velges med omhu hvis implantatet er plassert i det aktuelle området.
ADVARSEL	ZOLL-konsollene Coolgard og Thermogard er utrygge ved MR og skal derfor ikke brukes i rom med MR-systemer. Kateteret skal derfor kobles fra konsollen før pasienten overføres til rommet med MR-systemet.

Bruksanvisning for ledevaier

Merk. Denne informasjonen gjelder bare når en ledevaier og Seldinger-teknikk brukes til plassering av kateter i kar.

Advarsler

Den medfølgende ledevaieren er et engangsprodukt. Skal ikke steriliseres på nytt eller gjenbrukes. Produktet skal ikke settes inn igjen etter at det er fjernet fra pasienten.

Hvis du kjenner motstand under innføring eller uttrekking, skal du ikke fortsette å bevege ledevaieren. Identifiser årsaken ved hjelp av fluoroskopi, og iverksett tiltak etter behov.

Vær svært forsiktig når du beveger en ledevaier gjennom en stent. Bruk av ledevaier i kar med stent medfører tilleggsrisiko for pasienten.

Forholdsregler

Unngå å trekke ut ledevaieren gjennom metallnåler, da ledevaieren kan få kuttskader.

Ledevaierne er svært skjøre og må derfor håndteres ekstra forsiktig. Unngå bøy eller knekk. Bruk ikke skadede ledevaier.

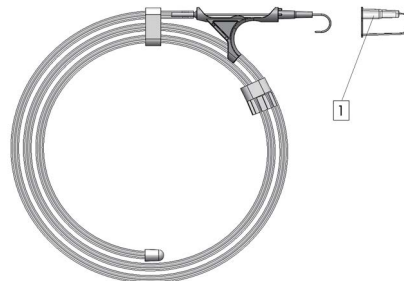
Unngå å kveile ledevaieren sammen til en diameter på mindre enn 20,32 cm (8 tommer) ved oppbevaring eller bruk, da mindre diameter medfører unødig belastning på ledevaieren og kan gi den knekk. Den medfølgende dispenserposen er den beste metoden for oppbevaring og håndtering av ledevaieren.

En lang nok del av ledevaieren må hele tiden være eksponert, slik at du kan holde godt tak i den hele tiden.

Dispenserpose

Alle ledevaier leveres i en dispenserpose i en Tyvek-pose. Ta ledevaieren ut av Tyvek-posen. Fjern beskyttelseshetten på ledevaieren like før ledevaieren skal brukes. Klargjør ledevaieren før innføring. Dispenserposen bør fylles med heparinisert løsning (f.eks. saltløsning eller dekstrose) for dypping av ledevaieren før innføring.

Den forformede «J»-ledevaieren får tilbake fasongen sin når den tas ut av dispenserposen.



1. Beskyttelseshette på ledevaier

Inspeksjon

Inspiser ledevaieren før bruk, og kast den hvis den ser deformert ut. Plassering av ledevaier skal rutinemessig overvåkes med røntgen eller fluoroskopi.

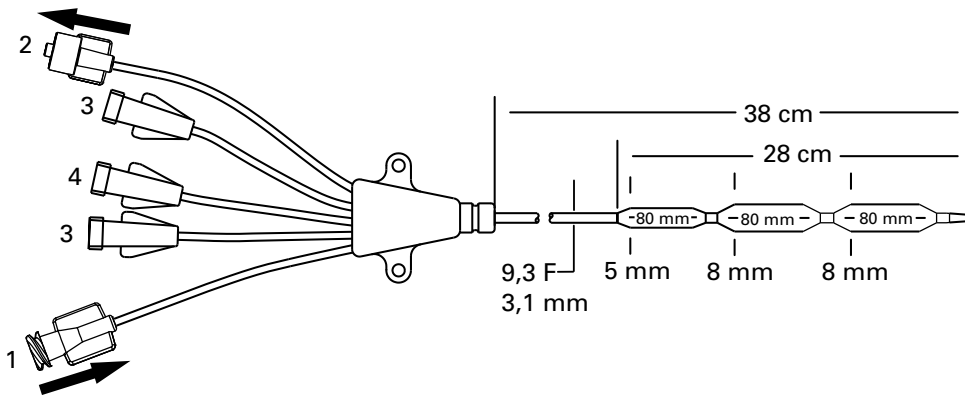
Teknikk

1. Punkter karet.
2. Stikk ledevaieren inn i nålekoblingen, og før 5–10 cm av ledevaieren forsiktig inn i det punkterte karet. Naviger ledevaieren til ønsket posisjon.
Obs! Unngå røff eller for energisk manipulasjon av ledevaieren for å hindre skade på ledevaieren eller karet.

3. Fjern nålen fra ledevaieren.
4. Dilater vevet og karet med dilatatoren med en svak rotasjonsbevegelse.
5. Fjern dilatatoren (kardilatatorens skal bare brukes til kardilatasjon).
6. Før inn kateteret ved å føre det over ledevaieren.
7. Fjern ledevaieren.

Icy-kateter

1. IN-luerport
2. OUT-luerport
3. Infusjonsporter
4. Distal luerport



©2024 ZOLL Medical Corporation. Med enerett. ZOLL og Icy er varemerker eller registrerte varemerker som tilhører ZOLL Medical Corporation og/eller ZOLL Circulation Inc. i USA og/eller andre land. Alle varemerker tilhører de respektive eierne.

Patent: www.zoll.com/patents

繁體中文 (tch)

型號 IC-3893AE/8700-0782-40 和 IC-3893CO/8700-0782-14

Icy[®] 血管內熱交換導管套件內含：

數量	說明
1 個 AE (CO)	Icy 血管內熱交換導管 9.3 F × 38 公分 三重輸液魯爾連接器 延伸管路夾 不透射線管軸 Applause 肝素塗層
1 個 AE (CO)	導線, 0.032 英寸 (0.81 公釐) × 75 公分
1 個 AE (CO)	血管擴張器 10.5 F × 0.038 英寸 (3.6 公釐 × 1.0 公釐)
1 個 AE (CO)	可拆卸縫合扣和夾子
1 個 AE	18 號 × 2.5 英寸 (1.3 公釐 × 63 公釐) 不透射線 OTN 導管
1 個 AE	5 毫升注射器和 22 號 × 1.5 英寸 (0.7 公釐 × 38 公釐) 穿刺針
1 個 AE	有孔鋪單
1 個 AE	18 號 × 2.75 英寸 (1.3 公釐 × 70 公釐) 穿刺針
6 個 AE	4 英寸 × 4 英寸 (10 公分 × 10 公分) 紗布海綿
1 個 AE	000 絲縫線
1 個 AE	11 號長柄手術刀片

註：各型號的套件組件

每個基本型號均配備標準支援插入套件 (AE) 或非標準支援插入套件 (CO)。兩種套件的共同組件在上表中以 AE (CO) 標記。僅包括在標準套件中的其他組件則以 AE 標記。

產品說明

Icy 血管內熱交換導管 (以下稱為「Icy 導管」或「導管」) 是單次使用的無菌、彈性 9.3 F 導管，用於通過股靜脈插入下腔靜脈。

Icy 導管應連接至單次使用的一次性 ZOLL[®] 啟動套件和 Coolgard[®]/Thermogard[®] 控制台系列 (以下稱為「控制台」) (全部單獨提供)。要經皮插入 Icy 導管，需要擴張器和導線。有三個魯爾連接器可用於輸液和採樣。

輸液埠	流速	灌注量
遠端 (棕色)	1700 毫升 / 小時	0.5 毫升
中間 (白色)	900 毫升 / 小時	0.4 毫升
近端 (藍色)	1200 毫升 / 小時	0.4 毫升

導管的血液接觸表面 (頭端、球囊和軸) 用抗栓塞 Applause 肝素塗層處理。

滅菌

環氧乙烷滅菌。導管以無菌方式提供，僅供單次使用，不應重新滅菌。使用前應檢查包裝，以確保無菌屏障未受損。

儲存

存放在陰涼、乾燥處。避免冷凍及過熱。

預期用途

Icy 導管與 Coolgard 或 Thermogard 系統結合使用，可使溫控鹽水通過熱交換器循環，對放置中心導管風險較高的患者冷卻 / 重新加熱其血液。最長使用期限：4 天。

禁忌症

1. 導管的風險與放置中心靜脈導管的風險基本相同。導管不應用於不適合放置中心靜脈導管的患者。
2. 出血體質。
3. 活性敗血症。
4. 導管插入部位感染或正在出血中。
5. 無法建立血管途徑或血管系統無法容納導管的患者，包括有腔靜脈濾器或其他植入體阻礙導管通過的患者。
6. 無法建立所需體溫監控的患者。
7. 禁忌在患有病情可因低溫加重的血液疾病 (如產生冷凝球蛋白血症的任何疾病以及低溫可誘發溶血性貧血的任何血紅素病，包括鐮形血球貧血症或地中海貧血症) 患者中使用低溫。
8. 不適用於兒童或新生兒。

警告、注意事項、不良反應

中心靜脈導管放置應僅由經過訓練、精通解剖標誌和安全技術的人員進行。使用人員也應了解可能出現的併發症。

警告

導管應僅經由股靜脈放置。請勿將導管放入右心房或右心室。如果置入右心房和右心室，可導致患者嚴重受傷或死亡。

僅為單次使用。產品僅限單次使用。請勿重新滅菌或重複使用。從患者體內取出後，請勿再次插入。請勿以任何方式改裝導管。

重複使用單次使用設備的潛在風險包括但不限於：

- 可能威脅生命的感染
- 因材料降解導致中毒性休克
- 栓塞風險增加
- 熱交換能力下降
- 設備故障

警告。 Icy 導管和啟動套件可能會與其他帶有小口徑連接器的設備誤連接。此類連接錯誤可能會導致患者受傷或死亡。

注意：導管和啟動套件中包含的定製魯爾連接器可以降低誤連接的風險，但在以下特定醫療設備應用器材中仍可能出現誤連接：呼吸系統和供氣應用、胃腸系統應用、尿道和泌尿系統應用、肢帶充氣應用、神經軸應用，以及血管內或皮下應用。將 ZOLL 導管和啟動套件連接到上述和其他醫療設備應用器材時，請務必小心。

注意：確保 Icy 導管和 / 或啟動套件未連接到靜脈輸液管路或其他醫療設備上。

1. 導管的定位應使導管的末端在下腔靜脈內，與右心房交界的下方，並與血管壁平行。應使用 X 光檢查來確保導管不在右心房或右心室內。
2. **注意。**如果在食鹽水回路中發現血液，應停止程序並檢查導管滲漏。
3. 中心靜脈導管可能出現的併發症包括：心房或心室穿孔、心包填塞、空氣栓塞、導管栓塞、胸管裂傷、菌血症、敗血症、栓塞、意外動脈穿刺、血腫形成、出血、神經損傷和心律不整。
4. 所有魯爾鎖連接和魯爾帽均需擰緊，以防止空氣栓塞、漏液或失血。
5. 移動導管或導線時切勿用力過大。如遇阻力，應進行 X 光檢查，確定產生阻力的原因。
6. 將導線導入右心可引起心律不整、右束枝傳導阻滯，以及血管壁、心房或心室穿孔。

- 僅使用無菌生理鹽水進行導管灌注，並作為導管內的循環液體。
- 應定期檢查導管的流速，敷料是否固定，導管位置是否正確，以及魯爾鎖連接是否牢靠。使用公分標記來確定導管位置是否發生了變化。與多腔球囊導管有關的潛在風險是未遞送治療，包括未能通過輸注腔輸注治療藥物。
- 僅 X 光檢查可確認導管頭端是否未進入心臟或不再與血管壁平行放置。如果導管位置發生了變化，進行 X 光檢查來確認導管頭端的位置。
- 採血時，暫時關閉其他輸液埠（溶液通過這些埠輸入）。
- 僅使用 30 毫升或更小的注射器來採血。
- 乙醇和丙酮可影響管軸材料的結構。因此，輸入含有乙醇的藥物或使用乙醇或丙酮進行常規導管護理和保養時，應小心謹慎。不應使用乙醇來清除導管內的血塊。
- 僅使用套件中提供的 ZOLL 縫合扣和夾子，以防止導管受損。
- 如果使用小於 10 毫升的注射器來沖洗阻塞的導管或清除阻塞導管內的血塊，可導致腔內滲漏或導管破裂。
- 請勿將溶液輸入橘色「流入」(IN) 和「流出」(OUT) 魯爾鎖連接，否則會導致無法遞送治療。
- 患者發熱可由感染性和 / 或非感染性原因導致。發熱（可能是感染徵象）緩解後仍有必要每天仔細評估其他感染徵象。
- 輸入可能受較低溫度（可低至 4°C）影響的藥物時要小心謹慎。含甘露醇的溶液對溫度敏感，不能經由導管輸注。例外情況是快速推注濃度最高 20% 的甘露醇溶液，隨後使用生理鹽水進行沖洗。必須通過單獨的輸液管路來靜點或通過輸液幫浦給予濃度超過 20% 的甘露醇溶液。
- 心包填塞：在右心室內置留導管可導致心臟穿孔和填塞。放置中心靜脈導管的人員必須了解這一潛在的致命併發症，以免將導管推進過多（相對於患者的身型）。插入後，應透過 X 光來確認留置導管頭端的實際位置。中心靜脈導管不應置入右心房，除非持續時間相對較短的特定操作有特殊需要，如神經外科手術期間抽吸空氣栓塞。此類操作仍然有很高的風險，應密切監控和控制。
- 導管有肝素塗層。這可能誘發或加重原先存在的肝素誘發性血小板減少症 (HIT)。
- 警告。**將輸液器 / 注射系統連接到導管上時，壓力請勿超過 100 磅 / 平方英寸 (689kPa)。
- 對於實施了低溫處理的患者，低溫本身可能會加重某些病情。在低溫期間，應注意適當監控患者的體內平衡。
 - 心律紊亂，包括心搏過緩 and 室性快速性心律不整。
 - 血凝和凝血功能。在低溫期間，應密切監控有血凝或凝血功能障礙風險的患者。
 - 血氣和 pH 值分析。低溫會改變靜態 pH 值和二氧化碳分壓。醫生應了解溫度對這些結果的影響。
 - 長時間低溫會抑制免疫反應和肺功能。

警告。腔內或球囊滲漏。生理鹽水腔和輸液腔之間出現腔內滲漏或球囊滲漏是可能出現的導管故障模式。如果出現此類故障，冷卻回路中的無菌生理鹽水會被引入患者體內。腔內滲漏或球囊滲漏通常和生理鹽水袋耗盡與系統停止的漏液警報有關。**務必要檢查液位警報。**冷卻回路是封閉系統。漏液警報通常表示封閉系統某處出現了滲漏。如有任何漏液警報，應檢查導管和啟動套件的完整性（見下文）。

警告。如果發現生理鹽水袋耗盡或阻氣閥筒警告，在確認滲漏位置及採取適當緩解行動前，請勿更換生理鹽水袋。根據下方檢查啟動套件滲漏及檢查導管滲漏兩節的說明檢查系統滲漏情況（請注意滲漏可能為外部或內部）。

不調查是否存在滲漏或生理鹽水流失而重複更換生理鹽水袋，可能導致意外將生理鹽水灌注進患者體內。生理鹽水灌注可能導致以下不良作用：之後可能造成局部組織傷害的局部腫脹；可能導致下垂性水腫和後續皮膚破裂的全身性液體超出負載；內臟液體超出負載，進而造成腦部、肺部或心臟超出負載。在部分病例中，液體超出負載可能導致威脅生命的事件。

注意：生理鹽水袋已空時，控制台會發出警告。生理鹽水袋必須全空，額外的生理鹽水也必須排到生理鹽水刺釘和阻氣閥筒之間，讓阻氣閥筒中的生理鹽水液位充分下降，才會觸發警告。

檢查啟動套件滲漏

- 檢查阻氣閥筒有無冷凝。如果阻氣閥筒有冷凝的跡象，擦拭阻氣閥筒並重新安裝至控制台。如果出現阻氣閥筒警告，採取此步驟後，確認阻氣閥筒警告解除。
- 仔細檢查從生理鹽水袋到控制台的生理鹽水通路是否有任何滲漏。檢查地板、控制台或病床是否有生理鹽水。
- 如果地板、控制台或病床有生理鹽水，檢查導管和啟動套件的魯爾連接器無破裂或損壞，並且連接處夠緊密可防止滲漏。
- 如果發現啟動套件有滲漏，更換啟動套件並檢查導管是否也有滲漏。
- 如果啟動套件未發現滲漏，則導管可能有滲漏。進一步調查。

檢查導管滲漏

- 從導管上斷開啟動套件。使用無菌技術正確蓋好導管和啟動套件。
- 將無菌生理鹽水注入 10 毫升無菌針尖注射器內。
- 將注射器連接到導管的「流入」(IN) 魯爾連接器，然後斷開「流出」(OUT) 魯爾帽。注入 10 毫升生理鹽水，生理鹽水應從「流出」(OUT) 魯爾連接器流出。如果生理鹽水未從「流出」(OUT) 魯爾連接器流出，表示導管滲漏。
- 蓋好「流出」(OUT) 魯爾連接器並抽 5 毫升的真空。保持至少 10 秒鐘。最多 4 毫升生理鹽水（不是血液）應流入注射器，您應能夠保持真空。如果注射器內看得到血跡，或無法保持真空，表示導管滲漏。
- 如果發現導管滲漏，更換導管。
- 更換生理鹽水袋，重新灌注啟動套件。
- 確認魯爾連接器緊密連接到啟動套件無滲漏，繼續治療。

必需材料

數量	說明
1	經皮導入的 Icy 導管套件
1	500 毫升無菌生理鹽水袋（未提供） 啟動套件（單獨提供）
1	<ul style="list-style-type: none"> • 6 英尺（183 公分）標準管路或 • 9 英尺（274 公分）延伸管路
1	Coolgard 或 Thermogard 控制台（單獨提供）
1	導管便利套件 [僅適用於 (CO)]
1	YSI-400 溫度探頭（未提供）

導管的準備和插入

註：導管具有不透射線的標記帶，當使用 X 光設備進行觀察時，有助於在插入過程中和插入後確定導管的位置。近端球囊的近側有一個標記帶。導管頭端含有硫酸鋇，因此不透射線。

採用無菌技術。

注意：導管上的「流入」(IN) 和「流出」(OUT) 魯爾鎖是定製生產的，僅能與「必需材料」中所列的啟動套件連接。

準備導管

1. 患者處仰臥姿勢。
2. 根據需要準備穿刺部位並鋪單。
3. 小心地從包裝中取出導管，保留導管保護膜。
4. 取下「流入」(IN) 和「流出」(OUT) 魯爾帽。請勿取下導管的保護膜。將無菌生理鹽水注入 5 毫升或更大的注射器，然後將注射器連接到母「流入」(IN) 魯爾連接器上。

警告。切勿在未取下「流出」(OUT) 魯爾帽的情況下向「流入」(IN) 魯爾連接器施加正壓。

5. 通過導管輕輕推注生理鹽水，直到鹽水開始從「流出」(OUT) 魯爾連接器流出。
6. 用 5 毫升或更大的注射器，用無菌生理鹽水沖洗遠端、近端和中間的輸液魯爾腔。將注射帽夾在或附接到近端和中間的輸液魯爾腔上。請勿蓋上遠端魯爾帽，否則會妨礙導線通過。

注意：將導管插入患者體內前，務必先灌注導管輸液魯爾腔。

7. 取下導管保護膜。如果在取下導管保護膜時遇到阻力，用無菌鹽水沖洗保護膜。檢查導管，以確保熱交換球囊中無空氣。檢查導管是否有滲漏。

注意：避免過度擦拭帶塗層的導管。避免用乾紗布擦拭導管，否則可能會損壞導管塗層。避免使用酒精、防腐液或其他溶劑對導管進行預處理，否則可能會導致塗層發生不可預測的變化，進而影響設備的安全性和性能。

警告。請勿透過切割導管來改變導管長度。

插入導管

警告。僅使用股靜脈途徑。

1. 採用標準經皮穿刺技術建立股靜脈途徑，並用 0.032 英吋 (0.81 公釐) 導線維持靜脈途徑。請參閱導線使用說明。

警告。請勿嘗試再次插入已部分或完全從導管中撤出的 OTN (沿穿刺針) 導引針。

注意：請勿與導管配套使用大於 0.032 英吋 (0.81 公釐) 的導線。

2. 抓住導線並固定，然後取下導引導管。

注意：務必牢牢抓住導線。

3. 用手術刀切緣擴大皮膚穿刺部位，手術刀應背離導線。

警告。請勿切割導線。根據需要使用血管擴張器擴大穿刺部位。請勿將血管擴張器作為置留導管使用，以便盡量減少可能出現血管壁穿孔的風險。

4. 將導管頭端穿過導線。導管插入過程中應務必抓緊導線。在皮膚附近抓住導管頭端，將導管推進靜脈。繼續沿導線推進導管，將手指放在球囊近端處。
5. 使用導管上的公分標記作為定位參考點，將導管至少推進到最小標記數處，以確保近端輸液埠在血管中。
6. 保持導管處在所需的深度，然後取出導線。如果放置導管後嘗試取出導線時遇到阻力，導線可能絞結在導管頭端。如遇阻力，將導管相對於導線撤出約 2 至 3 公分，然後嘗試取出導線。如果再次遇到阻力，則同時取出導線和導管。

注意：請勿對導線過度用力。

7. 確認取出的導線完好無損。
8. 將注射器連接到遠端輸液魯爾連接器，並進行抽吸，直到觀察到靜脈血自由流出，以此檢查導管的放置。根據需要將輸液魯爾連接器連接到適當的魯爾鎖管路上。使用醫院標準操作規範，未使用的輸液埠可用注射帽鎖住。在變更管路和注射帽時，管路上提供的滑動夾可防止液體通過輸液魯爾腔流動。

注意：為了盡量減小因過度施壓損壞管路的風險，通過魯爾腔進行輸液之前必須先打開滑動夾。

注意：請勿夾住或阻塞「流入」(IN) 或「流出」(OUT) 管路，否則會導致管路阻塞，並可能出現故障。

9. 暫時固定並包裝插入部位和導管。
10. 放置導管後，立即透過胸部 X 光確認導管頭端的位置。X 光檢查必須顯示導管位於下腔靜脈內，且導管遠端與腔靜脈壁平行。如果導管頭端錯位，重新定位並再次確認。
11. 不透射線的近端標記指示球囊的近端。確保球囊完全位於血管中。如果導管錯位，重新定位並再次確認。
12. 將導管固定在患者身上。將縫合扣側翼作為主要縫合部位，以盡量減少導管移位的風險。
13. 也可以將 ZOLL 縫合扣和夾子作為附加的固定點。確保導管體部已固定，不會滑動。

注意：僅使用套件中提供的 ZOLL 縫合扣和夾子。使用其他縫合扣和夾子可能會損壞導管。

注意：請勿直接縫合到導管的外徑，以盡量減少切割或損壞導管或阻礙導管流量的風險。

14. 按照醫院操作規範包裝穿刺部位。採用無菌技術定期細緻地更換敷料，以維護插入部位。
15. 在患者病歷中記錄置留導管長度 (參考導管軸上的公分標記)。經常目視檢查進行重新評估，以確保導管未移位。
16. 將灌注好的啟動套件連接到導管上：將啟動套件的公魯爾連接器連接到導管的母「流入」(IN) 魯爾連接器上。將啟動套件的母魯爾連接器連接到導管的公「流出」(OUT) 魯爾連接器上。「流入」(IN) 和「流出」(OUT) 延伸管路上鬆散地配有白色「ZOLL」標籤，以協助識別這些管路。

註：啟動套件的「流入」(IN) 和「流出」(OUT) 魯爾連接器僅能與導管的「流入」(IN) 和「流出」(OUT) 魯爾連接器連接，不是用來連接標準魯爾鎖注射器。這些組件有 ZOLL 定製連接器，為橘色，便於識別。

17. 確保魯爾連接器兩端都有足量的無菌生理鹽水，使得連接部位無氣體。請參閱操作手冊。

警告。如果未能正確地將啟動套件連接到導管，可導致導管故障。請勿將啟動套件 (橘色) 魯爾連接器連接到藍色、白色或棕色魯爾連接器上。

注意：請勿將啟動套件連接到遠端埠。

注意：請勿在可能會被意外關閉的管路中放置任何旋塞。否則會導致管路阻塞，並可能出現故障。

18. 將生理鹽水注入啟動套件和導管，以確保所有連接都牢固且無滲漏。如操作手冊中所述，必須排出系統中殘留的任何空氣。

從控制台上斷開導管

1. 停止導管內生理鹽水的循環。
2. 從導管上斷開啟動套件。
3. 為了保持無菌連接，應立即使用無菌魯爾帽蓋住導管和啟動套件的魯爾連接器，或將「流入」(IN) 和「流出」(OUT) 魯爾連接器連接到一起。

將導管重新連接到控制台上

1. 取下導管和啟動套件的魯爾連接器的魯爾帽並丟棄，或將「流入」(IN) 和「流出」(OUT) 魯爾連接器彼此斷開。
2. 將啟動套件連接到導管上：將啟動套件的公魯爾連接器連接到導管的母「流入」(IN) 魯爾連接器上。將啟動套件的母魯爾連接器連接到導管的公「流出」(OUT) 魯爾連接器上。啟動套件和導管的「流入」(IN) 和「流出」(OUT) 魯爾連接器是橘色的。確保魯爾連接器兩端都有足量的無菌生理鹽水，使得連接部位無氣體。

警告。如果未能正確地將啟動套件連接到導管，可導致導管故障。

警告。請勿把「流入」(IN) 和「流出」(OUT) 魯爾連接器當成標準中心靜脈導管輸液埠。它們僅用於連接到 Coolgard/Thermogard 控制台。啟動套件的「流入」(IN) 和「流出」(OUT) 魯爾連接器僅能與導管的「流入」(IN) 和「流出」(OUT) 魯爾連接器連接。這些組件有 ZOLL 定製連接器，為橘色，便於識別。

注意：請勿在可能會被意外關閉的管路中放置任何額外的旋塞。否則會導致管路阻塞，並可能出現故障。

取出導管

1. 停止向導管內泵送生理鹽水。
2. 從導管上斷開啟動套件。**取下導管的「流入」(IN) 和「流出」(OUT) 魯爾帽，或不蓋回魯爾帽。**這將使回路中剩餘的生理鹽水排出。隨著導管撤出，球囊被壓縮。球囊中的生理鹽水必須可自由流出球囊，否則球囊將無法回縮，使導管難以取出。
3. 或者，將一支 20 或 25 毫升注射器連接到導管的「流入」(IN) 魯爾連接器上。拉動注射器並保持真空 15 秒，以在取出導管之前排出導管球囊部分中剩餘的生理鹽水。
4. 患者處仰臥姿勢。取下敷料。從縫合部位拆除縫線。
警告。請勿把魯爾帽蓋在「流出」(OUT) 魯爾連接器上。
5. 慢慢從患者身上取下導管。隨著導管從穿刺部位退出，用不透氣敷料（如凡士林紗布）施壓。

警告。如果感覺有阻力，請勿取出導管。檢查以確保冷卻回路的「流入」(IN) 和「流出」(OUT) 魯爾連接器都沒有被蓋上。如果這些魯爾連接器被蓋上，則取下魯爾帽，回縮球囊，然後嘗試再次取出導管。如果仍然遇到阻力，應進行 X 光檢查，以確定產生阻力的原因。

MRI 安全資訊



MR 條件式安全性

icy 血管內熱交換導管具有 MR 條件式安全性。在滿足以下條件的情況下，體內有此導管的患者可以安全地進行掃描。未能遵守這些條件可能導致患者受傷。

參數	條件
靜磁場名義價值 (T)	1.5 T 和 3.0 T
最大空間場梯度 (特斯拉 / 公尺和高斯 / 公分)	40 T/m (4,000 gauss/cm)
射頻激發類型	圓偏振 (CP) (即：正交驅動)
射頻發射線圈資訊	無射頻發射線圈限制。據此可使用下列項目：體射頻發射線圈及所有其他射頻線圈組合 (即：體射頻線圈與任何僅接收射頻線圈、發射 / 接收頭部射頻線圈、發射 / 接收膝蓋射頻線圈等組合)
MR 系統操作模式	正常操作模式
最大全身 SAR 平均值	2 瓦特 / 公斤 (正常操作模式)
掃描持續時間限制	連續射頻暴露 60 分鐘的全身 SAR 平均值為 2 瓦特 / 公斤 (即：每個脈衝序列或無中斷連續順序 / 序列)
MR 假影	存在此植入物會產生假影。因此，若植入物位於目標區域內，應慎選脈衝序列參數。
警告	ZOLL Coolgard 及 Thermogard 控制台具有 MR 不安全性，故上述控制台不得在 MR 系統室中使用。因此，將患者移動至 MR 系統室之前，導管必須從控制台上斷開。

導線使用說明

註：此資訊僅適用於採用 Seldinger 技術將導管置入血管時使用導線的情況。

警告

所提供的導線僅限單次使用。請勿重新滅菌或重複使用。從患者體內取出後，請勿再次插入。

如果插入或撤出時遇到阻力，請勿繼續移動導線。在螢光透視下確定原因，並根據需要採取措施。

通過支架推進導線時要特別小心。在置有支架的血管內使用導線會對患者造成更大的風險。

注意

避免通過金屬穿刺針撤出導線，否則導線可能會折斷。

由於導線脆弱易斷，在操作時應格外小心。避免彎曲或扭結。如果導線已損壞，請勿使用。

在儲存或操作過程中，避免使導線的盤繞直徑小於 8 英寸 (20.32 公分)，因為直徑較小時會對導線造成不必要的應力，且可能導致纏繞。所提供的分發器是用於儲存和處理導線的最佳方式。

導線應有足夠的長度暴露在外，以便牢牢抓住導線。

分發器

每根導線都在分發器包中提供，並裝在 Tyvek 袋內。從 Tyvek 袋內取出導線。在即將使用導線前，取下導線的保護帽。插入前，先準備導線。建議在分發器中裝入肝素溶液（如生理鹽水或葡萄糖溶液），以在插入過程中浸潤導線。

從產品分發器中取出後，預成型的「J」形導線將恢復原形。



1. 導線保護帽

檢查

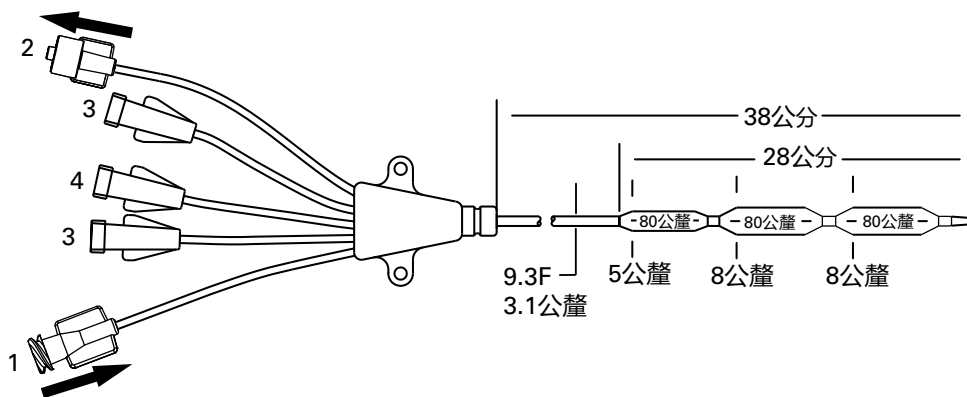
使用前檢查導線，如果導線存在任何變形，應丟棄。應透過 X 光或螢光透視常規監控導線放置。

技術

1. 穿刺血管。
2. 將導線插入穿刺針埠並輕輕將導線推進 5 至 10 公分，進入已穿刺的血管。引導導線至所需位置。
注意：避免粗暴或過於用力操作導線，以防止損壞導線或損傷血管。
3. 從導線上取下穿刺針。
4. 輕輕捻轉擴張器，擴張組織和血管。
5. 取出擴張器（血管擴張器僅用於擴張血管）。
6. 沿導線滑動導管，以引入導管。
7. 取出導線。

Icy 導管

1. 「流入」(IN) 魯爾連接器
2. 「流出」(OUT) 魯爾連接器
3. 輸液埠
4. 遠端魯爾連接器



©2024 年 ZOLL Medical Corporation 版權所有。保留一切權利。
ZOLL 和 Icy 是 ZOLL Medical Corporation 和 / 或 ZOLL Circulation, Inc. 在美國和 / 或其他國家的商標或註冊商標。所有商標均為其各自所有者的財產。

專利：www.zoll.com/patents

한국어(ko)

모델 IC-3893AE/8700-0782-40 및 IC-3893CO/8700-0782-14

Icy® 혈관내 열 교환 카테터 키트에는 다음 품목이 포함되어 있습니다.

수량	설명
1개 AE(CO)	Icy 혈관내 열 교환 카테터 9.3 French x 38 cm 상중 주입 루어 연장 라인 클램프 방사선 비투과성 샤프트 Applause 헤파린 코팅
1개 AE(CO)	가이드와이어 0.032인치(0.81 mm) x 75 cm
1개 AE(CO)	혈관 확장기 10.5 F x 0.038인치 (3.6 mm x 1.0 mm)
1개 AE(CO)	분리 가능 봉합 탭 및 클립
1개 AE	18개이지 x 2½인치(1.3 mm x 63 mm) 방사선 비투과성 OTN 카테터
1개 AE	5 cc 주사기 및 22개이지 x 1½인치 (0.7 mm x 38 mm) 바늘
1개 AE	유창 드레이프
1개 AE	18개이지 x 2¾인치(1.3 mm x 70 mm) 바늘
6개 AE	4인치 x 4인치(10 cm x 10 cm) 거즈 스폰지
1개 AE	000 실크 봉합사
1개 AE	No. 11 외과용 칼날(긴 손잡이)

참고 - 모델별 키트 구성품

각 모델은 표준 키트(AE)가 포함되어 공급되거나 표준 키트(CO) 없이 제공 됩니다. 두 키트에서 공통적인 구성품은 위 표에 AE(CO)로 라벨 표시되어 있습니다. 표준 키트에만 포함된 추가적인 구성품은 AE로 라벨 표시되어 있습니다.

장치 설명

Icy 혈관내 열 교환 카테터("Icy 카테터" 또는 "카테터")는 멸균 상태의 일회용 연장 9.3 F 카테터이며 대퇴정맥의 삽입 부위에서 하대정맥에 배치하는 데 사용하도록 설계되었습니다. Icy 카테터는 일회용 ZOLL® Start-Up Kit (스타트업 키트) 및 Coolgard® 또는 Thermogard® 제품군 콘솔("콘솔") (모두 별도 제공)에 연결해야 합니다. Icy 카테터의 경피 삽입에는 확장기 및 가이드와이어가 필요합니다. 주입 및 채취용으로 루어 3개가 이용 가능합니다.

주입 포트	유속	프라이밍 용량
원위부(갈색)	1700 ml/hr	0.5 cc
내측(흰색)	900 ml/hr	0.4 cc
근위부(파란색)	1200 ml/hr	0.4 cc

카테터 혈액 접촉 표면(팁, 풍선, 샤프트)은 항혈전 Applause 헤파린 코팅으로 처리되어 있습니다.

멸균

산화에틸렌으로 멸균되었습니다. 이 카테터는 일회용으로만 사용하도록 멸균 상태로 제공되며 재멸균해서는 안 됩니다. 사용하기 전에 포장을 점검하여 멸균 장벽이 손상되지 않았음을 확인해야 합니다.

보관

서늘하고 건조한 장소에 보관하십시오. 냉동 및 과도한 열을 피하십시오.

용도

Icy 카테터는 Coolgard 또는 Thermogard 시스템과 함께 사용되며 중심정맥관의 위험이 있다고 판단되는 환자에서 환자의 혈액을 냉각/재가온하기 위해 열 교환기를 통해 온도가 통제된 식염수의 순환을 허용합니다. 최대 사용 기간은 4일입니다.

금기사항

1. 카테터의 위험은 중심정맥관의 위험과 본질적으로 동일합니다. 중심정맥관을 사용할 수 없는 환자에게 이 카테터를 사용하지 않습니다.
2. 출혈 체질.
3. 활성 패혈증.
4. 카테터 삽입 부위의 감염 또는 활성 출혈.
5. 대정맥 필터를 이식한 환자 또는 기타 삽입물에 의하여 삽입이 어려운 환자 등 카테터에 적합한 혈관시스템, 혈관 통로가 없는 환자.
6. 시술 시 필요한 체온 모니터링을 할 수 없는 환자.
7. 체온 저하 시 악화될 수 있는 혈액 질환이 있는 환자에 대한 저온요법은 금기입니다(예: 한랭글로불린혈증을 유발시키는 질병, 경상척추관변형 또는 지중해성변형과 같이 저온에서 용해된혈이 촉진될 수 있는 혈색소병증).
8. 소아 또는 신생아를 대상으로 사용해서는 안 됩니다.

경고, 주의 사항, 이상반응

중심정맥 카테터 삽입은 해부학적 지표 및 안전한 기법을 충분히 숙지한 적절한 교육을 받은 의료진만 수행해야 합니다. 또한, 의료진은 잠재적인 합병증에 대한 지식이 있어야 합니다.

경고

이 카테터는 대퇴정맥 접근법을 통해서만 배치해야 합니다. 우심방 또는 우심실에 카테터가 배치되지 않도록 하십시오. 우심방 또는 우심실에 배치되는 경우 중대한 환자 부상 또는 사망이 초래될 수 있습니다.

일회용. 제품은 일회용으로만 사용하도록 설계되었습니다. 재멸균하거나 재사용하지 마십시오. 환자로부터 제거한 후에는 재삽입하지 마십시오. 어떤 방식으로든 카테터를 변경하지 마십시오.

일회용 제품을 재사용할 경우 발생할 수 있는 위험은 다음을 포함하되 이에 국한되지 않습니다.

- 생명을 위협할 수 있는 감염
- 소재의 품질 저하로 인한 독성 쇼크
- 혈전증 위험 증가
- 열 교환력 감소
- 장치 고장

경고. Icy 카테터 및 Start-Up Kit(스타트업 키트)가 다른 의료기기의 작은 구멍(보어) 커넥터와 잘못 연결될 수 있는 가능성이 있습니다. 이러한 연결 오류는 환자의 부상 또는 사망을 초래할 수 있습니다.

주의. 카테터 및 Start-Up Kit(스타트업 키트)에 포함된 맞춤형 루어를 사용하면 잘못된 연결 위험을 감소할 수는 있지만, 다음과 같은 특정 의료기기 적용에서 연결 오류가 발생할 가능성이 여전히 존재합니다: 호흡 시스템 및 드라이브식 가스 적용, 장 및 위 적용, 요도 및 비뇨 적용, 사지 커팅 팽창 적용, 신경축 적용 및 혈관내 또는 피하 적용. 이러한 의료기기 및 기타 의료기기 적용에서 ZOLL 카테터 및 Start-Up Kit(스타트업 키트)를 연결할 때 항상 주의를 기울여야 합니다.

주의. Icy 카테터 및/또는 Start-Up Kit(스타트업 키트)가 IV 또는 기타 의료기기에 연결되지 않도록 유의해야 합니다.

1. 카테터의 원위부 팁이 우심방과 하대정맥의 접합부 아래에서 혈관벽과 평행한 방식으로 하대정맥에 삽입되도록 카테터를 배치해야 합니다. X레이 검사를 통해 카테터가 우심방이나 우심실이 있지 않음을 확인해야 합니다.
2. **주의.** 식염수 회로에 혈액이 보이는 경우, 절차를 중지하고 카테터 누수 점검을 실시하십시오.
3. 중심정맥 카테터로 인해 발생할 수 있는 합병증에는 심방 또는 심실 천공, 심낭 누출증, 공기색전증, 카테터 색전증, 흉관 열상, 세균혈증, 패혈증, 혈전증, 우발적인 동맥천자, 혈종 형성, 출혈, 신경 손상 및 심박장애 등이 있습니다.

4. 공기색전증 또는 수액이나 혈액 손실을 방지하기 위해 모든 루어락 연결부와 덮개를 단단히 조여야 합니다.
5. 카테터 또는 가이드와이어를 움직일 때 절대로 과도한 힘을 사용하지 마십시오. 저항이 느껴지는 경우, X레이 검사를 통해 저항의 원인을 파악해야 합니다.
6. 가이드와이어를 우심으로 통과시킬 경우, 심박장애, 우각차단, 혈관 벽이나 심방 또는 심실 천공을 초래할 수 있습니다.
7. 카테터 프라이밍을 위해 멸균 생리식염수만 사용하십시오. 생리식염수는 카테터의 순환 용액입니다.
8. 카테터는 유속, 드레싱 고정 상태, 올바른 카테터 위치, 안전한 루어락 연결을 확인하기 위해 정기적으로 점검해야 합니다. 카테터 위치가 변경되었는지 여부는 센티미터 표시로 확인하십시오. 다중루멘 풍선 카테터와 관련된 잠재적인 위험은 주입 루멘을 통한 약물요법의 주입 실패를 포함한 치료 부작용입니다.
9. 카테터 팁이 심장에 삽입되지 않았으며 혈관 벽과 평행한 위치에 있는지는 카테터 X레이 검사를 통해서만 확인할 수 있습니다. 카테터 위치가 변경된 경우, X레이 검사를 통해 카테터 팁의 위치를 확인하십시오.
10. 혈액 검체를 채취하는 경우, 용액이 주입되어 통과하는 남은 주입 포트를 일시적으로 차단하십시오.
11. 혈액 검체 채취를 위해 30 cc 이하의 주사기만 사용하십시오.
12. 알코올 또는 아세톤은 사프트 소재의 구조를 약화시킬 수 있습니다. 따라서, 알코올이 함유된 약물을 주입하는 경우 또는 정기적인 카테터 관리 및 유지보수 시 알코올이나 아세톤을 사용하는 경우, 주의를 기울여야 합니다. 카테터의 막힘을 제거하기 위해 알코올을 사용해서는 안 됩니다.
13. 카테터 손상을 방지하기 위해 키트에 함께 제공된 ZOLL 봉합 탭과 클립만 사용하십시오.
14. 카테터를 관류하거나 카테터의 막힘을 제거하기 위해 10 mL보다 작은 주사기를 사용할 경우, 관내 누수 또는 카테터 파열을 초래할 수 있습니다.
15. 치료 부작용을 초래하므로, 오렌지색 IN(유입) 및 OUT(유출) 루어락 연결부에 주입하지 마십시오.
16. 환자의 발열은 감염 및/또는 비감염 원인으로 인해 초래될 수 있습니다. 잠재적 감염 징후인 발열의 완화 조치로는 감염의 다른 징후에 대해 세심하게 매일 평가하는 것이 필요합니다.
17. 저온(최저 4°C)에 영향을 받을 수 있는 약물을 주입하는 경우, 주의를 기울이십시오. 만니톨이 함유된 용액은 온도에 민감하며, 최대 20% 만니톨 용액을 빠르게 주입한 후 식염수로 세척하는 경우를 제외하고 카테터에 사용해서는 안 됩니다. 20%보다 더 높은 농도로 만니톨을 사용하거나 점적 주입, 주입 펌프를 통해 만니톨을 주입하는 경우에는 반드시 별도의 라인을 사용해야 합니다.
18. 심장 눌림증: 유치 카테터를 우심방에 배치할 경우, 심장 천공 및 눌림증을 초래할 수 있습니다. 중심정맥 카테터를 배치하는 의료진은 환자의 체격을 고려하여 카테터를 삽입하기 전에 이러한 치명적인 합병증의 가능성에 대해 알고 있어야 합니다. 유치 카테터 팁의 실제 위치는 삽입 후 X레이를 통해 확인해야 합니다. 중심정맥 카테터는 신경외과에서의 공기색전 흡입과 같이 비교적 짧은 기간의 시술에서 특별히 필요한 경우를 제외하고는 우심방에 삽입해서는 안 됩니다. 그러한 시술은 위험하기 쉬우므로 가까이에서 모니터링하고 제어해야 합니다.
19. 카테터는 헤파린으로 코팅되어 있습니다. 이 때문에 기존의 헤파린 유도 혈소판감소증(HIT)이 유발되거나 악화될 수 있습니다.
20. **경고.** 주입 세트/주사 시스템을 카테터에 연결할 때, 100 psi/689 kPa를 초과하지 마십시오.
21. 저온요법을 받는 환자의 경우, 체온 저하 자체로 인해 일부 질병 상태가 악화될 수 있습니다. 저온요법 동안, 환자의 항상성을 적절히 모니터링하기 위해 주의를 기울여야 합니다.
 - 심장박동 장애-서맥 및 심실 부정맥 둘 다.
 - 혈전 및 응고 기능. 응고 기능 장애 위험이 있는 환자의 경우 저온요법을 실시하는 동안 가까이에서 모니터링해야 합니다.
 - 혈액가스 및 pH 분석. 저온요법은 안정 pH 및 PaCO₂를 변경시킵니다. 의사는 체온이 결과에 어떠한 영향을 주게 될지 고려해야 합니다.
 - 장기간의 체온 저하는 면역 반응 및 폐기능을 저하시킵니다.

경고. 관내 또는 풍선 누수. 관내 누수(식염수 루멘과 주입 루멘 사이) 또는 풍선 누수는 잠재적인 카테터 실패 모드입니다. 이와 같은 실패의 경우, 냉각 회로의 멸균 생리식염수가 환자에게 주입됩니다. 관내 누수 또는 풍선 누수는 일반적으로 식염수 백이 소진된 후 발생하는 용액 손실 경보와 관련이 있으며 이로 인해 시스템이 정지됩니다. **항상 용액 수위 경보에 대해 조사하십시오.** 냉각 회로는 폐쇄식 루프 시스템입니다. 보통 용액 손실 경보는 이 폐쇄식 루프의 어딘가에서 유출이 있음을 나타냅니다. 용액 손실 경보가 발생하면 카테터 및 Start-Up Kit(스타트업 키트)의 무결성을 확인하십시오(아래 참조).

경고. 식염수 백이 소진되거나 에어 트랩 경보가 발생하는 경우, 누수 부위를 확인하여 적절한 완화 조치를 취하기 전에는 식염수 백을 교체해서는 안 됩니다. 아래 섹션 Start-Up Kit(스타트업 키트) 누수 점검 및 카테터 누수 점검에 나와 있는 지침에 따라 시스템 누수를 확인하십시오. (누수 부위는 외부 또는 내부일 수 있습니다.)

누수 또는 식염수 손실을 조사하지 않고 식염수 백을 반복적으로 교체할 경우, 의도치 않게 식염수를 환자에게 주입하는 결과가 초래될 수 있습니다. 식염수 주입은 속발성 국소 조직 손상을 일으킬 수 있는 국소 부기, 체위의존부종 및 속발성 피부손상으로 이어질 수 있는 전신 체액과부하, 내기관 체액과부하와 함께 속발성 뇌, 폐 또는 심장 과부하와 같은 부작용을 초래할 수 있습니다. 일부 경우, 이러한 체액과부하는 생명을 위협하는 이상반응으로 이어질 수 있습니다.

주의. 식염수 백이 비면 콘솔에서 경보가 발생합니다. 에어 트랩의 식염수 수위가 충분히 떨어져서 경보가 발생하기 위해서는, 식염수 백이 완전히 비어 있어야 하며 추가 식염수가 식염수 스파이크와 에어 트랩 사이에서 배출되었어야 합니다.

Start-Up Kit(스타트업 키트) 누수 점검

1. 응축이 있는지 에어 트랩을 점검하십시오. 에어 트랩에 응축의 징후가 있는 경우, 에어 트랩을 닦은 다음 콘솔에 다시 장착하십시오. 에어 트랩 경보가 발생한 경우, 이 단계를 수행한 후에 에어 트랩 경보가 해결되는지 확인하십시오.
2. 식염수 백에서 콘솔까지 누수가 있는지 식염수 경로를 주의하여 점검하십시오. 바닥, 콘솔 또는 환자 침대에 식염수가 있는지 확인하십시오.
3. 바닥, 콘솔 또는 환자 침대에 식염수가 있는 경우, 카테터와 Start-Up Kit(스타트업 키트)의 루어에 균열이나 손상이 있는지, 그리고 누수를 방지하기에 연결부가 충분히 단단하게 고정되어 있는지 점검하십시오.
4. Start-Up Kit(스타트업 키트)에서 누수를 발견한 경우, Start-Up Kit(스타트업 키트)를 교체한 후에 카테터에도 누수가 있는지 확인하십시오.
5. Start-Up Kit(스타트업 키트)에서 누수를 발견하지 않은 경우에는 카테터에 누수가 있을 가능성이 큼니다. 추가로 조사하십시오.

카테터 누수 점검

1. 카테터로부터 Start-Up Kit(스타트업 키트) 연결을 분리하십시오. 무균 기법을 사용하여 카테터와 Start-Up Kit(스타트업 키트) 둘 다 올바르게 닫으십시오.
2. 멸균 생리식염수로 멸균 10 mL 슬립 팁 주사기를 채우십시오.
3. 주사기를 카테터의 IN(유입) 루어에 연결하고 OUT(유출) 캡 연결을 분리하십시오. 10 mL의 식염수를 주입하십시오. 식염수가 OUT(유출) 루어를 통해 배출되어야 합니다. 식염수가 OUT(유출) 루어를 통해 배출되지 않을 경우에는 카테터 누수를 의미합니다.
4. OUT(유출) 루어에 캡을 씌우고 5 cc의 진공을 당기십시오. 최소 10초 동안 유지하십시오. (혈액이 아닌) 최대 4 mL의 식염수가 주사기에 들어가야 하며, 진공을 유지할 수 있어야 합니다. 주사기 내에 미량의 혈액이 보이거나 진공을 유지할 수 없는 경우에는 카테터 누수를 의심하십시오.
5. 카테터 누수를 발견한 경우, 카테터를 교체하십시오.
6. 식염수 백을 교체하고 Start-Up Kit(스타트업 키트)를 다시 프라이밍하십시오.
7. Start-Up Kit(스타트업 키트)의 루어 연결부가 단단히 고정되어 누수가 없음을 확인하고 치료를 계속 진행하십시오.

필요한 품목

수량	설명
1	경피 삽입용 Icy 카테터 키트
1	멸균 생리식염수 500 cc 백(제공되지 않음)
1	Start-Up Kit(스타트업 키트)(별도로 제공됨) <ul style="list-style-type: none"> • 6피트(183 cm) 표준 튜브 또는 • 9피트(274 cm) 연장 튜브
1	Coolgard 또는 Thermogard 콘솔(별도로 제공됨)
1	Catheter Convenience Kit(CO)에만 해당됨]
1	YSI-400 온도 프로브(제공되지 않음)

카테터 준비 및 삽입

참고. 카테터에는 방사선 비투과성 마커 밴드가 있어서 X레이 기기를 사용하여 검사 시 카테터를 삽입 중 및 삽입 후 식별하는 데 도움이 됩니다. 근위부 풍선의 근위부 끝에는 마커 밴드가 한 개 있습니다. 카테터의 팁에는 방사선 비투과성의 황산바륨이 포함되어 있습니다.

무균 기법을 사용하십시오.

주의. 이 카테터의 IN(유입) 및 OUT(유출) 루어락은 맞춤 제조되었으며 필요한 품목에 수록된 Start-Up Kit(스타트업 키트)하고만 연결할 수 있도록 설계되었습니다.

카테터 준비 방법

- 환자를 똑바로 눕히십시오.
- 필요한 경우, 천자 부위를 준비하고 드레이프로 덮으십시오.
- 카테터를 포장에서 조심스럽게 꺼내되, 카테터 막 덮개는 그대로 두십시오.
- IN(유입) 및 OUT(유출) 루어에서 캡을 제거하십시오. 카테터 덮개를 제 자리에 두고, 멸균 생리식염수를 채운 주사기(5 cc 이상)를 여형 IN(유입) 루어에 연결하십시오.

경고. 절대로 OUT(유출) 루어 캡이 제 위치에 배치된 상태에서 IN(유입) 루어에 양압을 주입하지 마십시오.
- 식염수가 OUT(유출) 루어를 통해 나오기 시작할 때까지 식염수를 카테터에 천천히 주입하십시오.
- 5 cc 이상 크기의 주사기를 사용하여 식염수로 원위부, 근위부, 내측 주입 루어를 세정하십시오. 근위부 및 내측 주입 루어에 캡을 클램프로 고정하거나 연결하십시오. 원위부 루어는 가이드와이어가 지나갈 수 있도록 캡을 씌우지 않습니다.

주의. 환자에서 카테터를 삽입하기 전에 항상 카테터 주입 루어를 프라이밍하십시오.
- 카테터 막 덮개를 제거하십시오. 막 덮개를 카테터에서 제거하는 데 저항이 느껴지는 경우, 생리식염수로 막 덮개를 세정하십시오. 열 교환 막에서 공기가 제거되었는지 확인하기 위해 카테터를 점검하십시오. 누수가 있는지 카테터를 점검하십시오.

주의. 코팅 처리된 카테터를 과도하게 닦지 마십시오. 카테터 코팅이 손상될 수 있으므로 마른 거즈로 카테터를 닦지 마십시오. 코팅에 예측할 수 없는 변화를 주고 제품 안전 및 성능에 영향을 미칠 수 있으므로 알코올, 소독제 또는 기타 용매를 카테터를 예비 처리하는 데 사용하지 마십시오.

경고. 길이를 변경하기 위해 카테터를 절단하지 마십시오.

카테터 삽입 방법

경고. 대퇴정맥 접근법만 사용하십시오.

- 표준 경피 기법을 사용하여 대퇴정맥에 접근하십시오. 접근법은 0.032인치(0.81 mm) 가이드와이어를 사용하여 접근합니다. 가이드와이어 사용설명서를 참조하십시오.

경고. 카테터에서 부분 또는 전체를 빼낸 OTN(바늘 위) 삽입기 바늘을 다시 삽입하려고 시도하지 마십시오.

주의. 0.032인치(0.81 mm)보다 큰 가이드와이어를 이 카테터와 함께 사용하지 마십시오.

- 가이드와이어를 제 위치에 고정된 상태에서, 삼입기 카테터를 제거하십시오.

주의. 항상 가이드와이어를 단단히 잡은 상태를 유지하십시오.
- 가이드와이어에서 떨어진 위치에서 수술용 칼로 잘라 피부 천자 부위를 넓히십시오.

경고. 가이드와이어를 절단하지 마십시오. 필요한 경우 혈관 확장기를 사용하여 부위를 확장시키십시오. 혈관 벽 천공 가능성 위험을 최소화하기 위해서 혈관 확장기를 유지 카테터처럼 위치시키지 마십시오.
- 가이드와이어를 통해 카테터의 팁을 삽입하십시오. 카테터를 삽입하는 동안 가이드와이어를 충분히 꼭 잡고 있어야 합니다. 카테터 팁을 피부 가까이에서 잡고 카테터를 정맥 내로 삽입하십시오. 풍선 근위부에 손가락을 배치하여 가이드와이어를 통해 카테터를 계속 삽입하십시오.

경고. 카테터의 센티미터 표시를 위치 조정 참조점으로 사용하여, 근위부 주입 포트가 혈관 내에 있도록 카테터를 적어도 최소 마커 번호까지 삽입하십시오.
- 원하는 깊이에서 카테터를 잡고 가이드와이어를 제거하십시오. 카테터 배치 후 가이드와이어 제거를 시도할 때 저항이 느껴지는 경우에는 카테터 팁에서 가이드와이어가 구부러져 있을 수 있습니다. 저항이 느껴지는 경우, 가이드와이어를 기준으로 카테터를 약 2~3 cm 빼내고 가이드와이어 제거를 시도하십시오. 다시 저항이 느껴지는 경우, 가이드와이어와 카테터를 동시에 제거하십시오.

주의. 가이드와이어에 과도한 힘을 주지 마십시오.
- 제거 시 가이드와이어에 손상을 주지는 않았는지 확인하십시오.
- 주사기를 원위부 주입 루어에 연결하여 카테터의 배치를 확인하고 정맥혈이 원활히 흐르는 것이 관찰될 때까지 흡인하십시오. 필요에 따라, 주입 루어를 적절한 루어락 라인에 연결하십시오. 사용하지 않은 주입 포트는 표준 병원 프로토콜을 사용하여 주입 캡으로 닫아둡니다. 라인 및 주입 캡을 교환할 때 주입 루어를 통한 혈류를 차단하기 위해 튜브와 함께 슬라이드 클램프가 제공됩니다.

주의. 과도한 압력으로 인한 튜브 손상 위험을 최소화하기 위해서는 루어를 통해 주입하기 전에 클램프를 열어야 합니다.

주의. IN(유입) 또는 OUT(유출) 라인을 클램핑하거나 막지 마십시오. 라인 막힘 및 잠재적인 실패가 일어날 수 있습니다.
- 삼입 부위와 카테터를 임시적으로 고정하고 드레싱하십시오.
- 배치 후 즉시 흉부 X레이로 카테터 팁의 위치를 확인하십시오. 카테터 배치 후 X레이 검사를 통해 카테터가 대정맥에 위치하며, 카테터 팁이 대정맥벽과 평행한지 확인해야 합니다. 카테터 팁이 잘못 위치한 경우, 다시 배치하고 재확인하십시오.
- 근위부 방사선 비투과성 마커는 풍선의 근위부 끝을 나타냅니다. 풍선이 완전히 혈관 내에 있는지 확인하십시오. 카테터가 잘못된 위치인 경우, 다시 배치하고 재확인하십시오.
- 환자에게 카테터를 고정하십시오. 카테터 이동 위험을 최소화하기 위해서 봉합 법의 양 날개로 일차 봉합 부위에 사용하십시오.
- 추가적인 연결부에는 ZOLL 봉합 탭과 클립을 사용할 수도 있습니다. 카테터 몸체가 고정되어 미끄러지지 않는지 확인하십시오.

주의. 키트에 함께 제공된 ZOLL 봉합 탭과 클립만 사용하십시오. 다른 탭이나 클립을 사용하는 경우, 카테터가 손상될 수 있습니다.

주의. 카테터 절단이나 손상 위험 또는 카테터 흐름의 방해를 최소화하기 위해서 카테터의 외경에 직접 봉합하지 마십시오.
- 병원 프로토콜에 따라 천자 부위를 드레싱하십시오. 무균 기법을 사용하여 정기적으로 세심히 다시 드레싱하여 삼입 부위를 관리하십시오.
- 카테터 샤프트에 있는 센티미터 표시를 참조하여 유지 카테터 길이를 환자의 차트에 기록하십시오. 카테터가 이동하지 않았는지 확인하기 위해 조영술 검사로 자주 확인해야 합니다.
- 프라이밍된 Start-Up Kit(스타트업 키트)를 카테터에 연결하는 방법: Start-Up Kit(스타트업 키트)의 낭형 루어를 카테터의 여형 IN(유입) 루어["IN"(유입)으로 라벨 표시되어 있음]에 연결하십시오. Start-Up Kit(스타트업 키트)의 여형 루어를 카테터의 낭형 OUT(유출) 루어["OUT"(유출)으로 라벨 표시되어 있음]에 연결하십시오. 식별하는 데 도움이 될 수 있도록 흰색 "ZOLL" 태그가 IN(유입) 및 OUT(유출) 연장 튜브에 느슨하게 장착되어 있습니다.

참고. Start-Up Kit(스타트업 키트) IN(유입) 및 OUT(유출) 루어는 카테터 IN(유입) 및 OUT(유출) 루어에만 연결해야 하며, 표준 루어락 주사기에 연결하면 안 됩니다. 이 루어는 쉽게 식별할 수 있도록 오렌지색 ZOLL 맞춤 피팅이 장착되어 있습니다.

17. 루어의 끝에 충분한 양의 멸균 생리식염수가 있어야 공기 유입 없이 연결할 수 있습니다. 작동 매뉴얼을 참조하십시오.

경고. Start-Up Kit(스타트업 키트)를 카테터에 올바르게 연결하지 않을 경우, 카테터 실패가 일어날 수 있습니다. Start-Up Kit(스타트업 키트) (오렌지색) 루어를 파란색, 흰색 또는 갈색 루어에 연결하지 마십시오.

주의. Start-Up Kit(스타트업 키트)를 원위부 포트에 연결하지 마십시오.

주의. 우발적으로 차단될 수 있는 스톱콕을 라인에 장착하지 마십시오. 라인 막힘 및 잠재적인 실패가 일어날 수 있습니다.

18. Start-Up Kit(스타트업 키트)를 통해 식염수를 펌프주입하여 모든 연결부가 고정되어 있고 누수가 없음을 확인하십시오. 작동 매뉴얼에 설명된 대로 시스템에 남아 있는 공기를 모두 제거하십시오.

콘솔로부터 카테터 연결을 분리하는 방법

1. 카테터를 통한 식염수 순환을 멈추십시오.
2. 카테터로부터 Start-Up Kit(스타트업 키트) 연결을 분리하십시오.
3. 멸균 상태 연결부를 유지하기 위해서 멸균 루어 캡을 사용하여 카테터와 Start-Up Kit(스타트업 키트) 둘 다 루어 커넥터에 캡을 즉시 씌우거나, IN(유입) 및 OUT(유출) 루어를 서로 연결하십시오.

콘솔에 카테터를 연결하는 방법

1. 카테터와 Start-Up Kit(스타트업 키트)의 루어 커넥터에서 루어 캡을 제거하십시오. 루어 캡을 폐기하거나, 서로 연결된 IN(유입) 및 OUT(유출) 루어를 분리하십시오.
2. Start-Up Kit(스타트업 키트)를 카테터에 연결하는 방법: Start-Up Kit(스타트업 키트)의 남형 루어를 카테터의 여형 IN(유입) 루어에 연결하십시오. Start-Up Kit(스타트업 키트)의 여형 루어를 카테터의 남형 OUT(유출) 루어에 연결하십시오. Start-Up Kit(스타트업 키트)와 카테터 IN(유입) 및 OUT(유출) 루어는 오렌지색입니다. 루어의 끝에 충분한 양의 멸균 생리식염수가 있어야 공기 유입 없이 연결할 수 있습니다.

경고. Start-Up Kit(스타트업 키트)를 카테터에 올바르게 연결하지 않을 경우, 카테터 실패가 일어날 수 있습니다.

경고. IN(유입) 및 OUT(유출) 루어 피팅을 표준 중심정맥관 주입 포트를 위해 사용하지 마십시오. 이 루어 피팅은 Coolgard/Thermogard 콘솔에만 연결하는 데 사용해야 합니다. Start-Up Kit(스타트업 키트) IN(유입) 및 OUT(유출) 루어는 카테터 IN(유입) 및 OUT(유출) 루어와만 연결하도록 설계되었습니다. 이 루어는 쉽게 식별할 수 있도록 오렌지색 ZOLL 맞춤 피팅이 장착되어 있습니다.

주의. 우발적으로 차단될 수 있는 추가 스톱콕을 라인에 장착하지 마십시오. 라인 막힘 및 잠재적인 실패가 일어날 수 있습니다.

카테터 제거 방법

1. 카테터를 통한 식염수 펌프주입을 멈추십시오.
2. 카테터로부터 Start-Up Kit(스타트업 키트) 연결을 분리하십시오. **카테터의 IN(유입) 및 OUT(유출) 루어의 캡을 제거하거나 제거된 채로 두십시오.** 그러면 회로 내 잔여 식염수가 배출됩니다. 카테터를 빼내면 풍선이 압축됩니다. 풍선 내의 식염수가 풍선 밖으로 원활하게 빠져나올 수 있어야 합니다. 그렇지 않으면 풍선이 수축되지 않아 카테터를 제거하기가 어렵습니다.
3. 선택 사항으로, 20 또는 25 cc 주사기를 IN(유입) 루어에 연결하십시오. 카테터를 제거하기 전에 잔여 식염수가 카테터 풍선 방향으로부터 제거될 수 있도록 진공을 당긴 상태를 15초 동안 유지하십시오.
4. 환자를 똑바로 눕히십시오. 드레싱을 제거하십시오. 봉합 부위에서 봉합사를 제거하십시오.

경고. OUT(유출) 루어에 루어 캡을 장착하지 마십시오.

5. 환자에서 카테터를 천천히 제거하십시오. 카테터가 부위에서 나오든 동안, 공기가 통하지 않는 드레싱(예: 바셀린 거즈)으로 압박을 가하십시오.

경고. 저항이 느껴지면 카테터를 움직이지 마십시오. 냉각 회로의 IN(유입) 및 OUT(유출) 루어에 캡으로 막혀 있지 않음을 확인하십시오. 캡으로 막혀 있는 경우, 캡을 열고 풍선을 수축한 다음 다시 카테터 제거를 시도하십시오. 저항이 여전히 느껴지는 경우, X레이 검사를 통해 저항의 원인을 파악해야 합니다.

MRI 안전 정보



MR 환경에서 조건부 안전

Icy 혈관내 열 교환 카테터는 MR 환경에서 조건부로 안전합니다. 본 카테터가 삽입된 환자는 다음 조건에서 안전하게 스캔을 받을 수 있습니다. 이러한 조건을 충족하지 않을 경우 환자의 부상을 초래할 수 있습니다.

파라미터	조건
정자기장의 공칭값(T)	1.5 T 및 3.0 T
최대 공간장 경사 (T/m 및 gauss/cm)	40 T/m (4,000 gauss/cm)
RF 여기	원편(CP)(즉, 구적 여기)
RF 전송 코일 정보	RF 전송 코일 제한은 없습니다. 따라서, 신체 RF 전송 코일 및 기타 모든 RF 코일 조합(즉, 모든 RF 수신 전용 코일, 머리 RF 전송/수신 코일, 무릎 RF 전송/수신 코일 등과 조합된 신체 RF 코일)을 사용할 수 있습니다.
MR 시스템 작동 모드	정상 작동 모드
최대 전신 평균 SAR	2-W/kg(정상 작동 모드)
스캔 시간에 대한 제한	2-W/kg의 전신 평균 SAR 60분간 지속 RF 노출(즉, 펄스당 시퀀스 또는 단절 없는 백투백 시퀀스/시리즈)
MR 영상 인공음영	본 삽입물은 영상 인공음영을 생성합니다. 따라서, 해당 부위에 삽입물이 위치한 경우 펄스 시퀀스 파라미터를 주의하여 선택해야 합니다.
경고	ZOLL Coolgard 및 Thermogard 콘솔은 MR 환경에서 안전하지 않습니다. 그러므로, 이러한 콘솔은 MR 시스템이 설치된 방에 허용되지 않습니다. 따라서, 환자를 MR 시스템이 설치된 방으로 이동하기 전에 반드시 콘솔로부터 카테터 연결을 분리해야 합니다.

가이드와이어 사용설명서

참고. 이 정보는 혈관구조 내 카테터 배치를 위한 셀딩거(Seldinger) 기법의 가이드와이어 사용에만 해당됩니다.

경고

제공된 가이드와이어는 일회용으로만 사용하도록 설계되었습니다. 재멸균하거나 재사용하지 마십시오. 환자로부터 제거한 후에는 재삽입하지 마십시오.

삽입 또는 제거 시 저항이 느껴지는 경우, 가이드와이어를 더 이상 움직이지 마십시오. 형광투시 검사를 통해 원인을 판단하고, 필요한 경우 조치를 취하십시오.

스텐트를 통해 가이드와이어를 움직이는 경우 각별히 주의해야 합니다. 스텐트가 삽입된 혈관에 가이드와이어를 사용하는 경우 추가 환자 위험이 생깁니다.

주의

금속 바늘을 통해 가이드와이어를 빼내지 마십시오. 가이드와이어가 잘릴 수 있습니다.

가이드와이어는 섬세하고 부서지기 쉽기 때문에, 취급 시 각별히 주의를 기울여야 합니다. 구부리거나 비틀지 마십시오. 손상된 가이드와이어를 사용하지 마십시오.

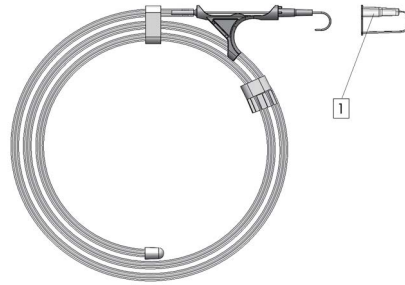
보관 또는 시술 시, 가이드와이어를 8인치(20.32 cm)보다 더 작은 직경의 나선 모양으로 감지 마십시오. 작은 직경은 가이드와이어에 불필요한 압력을 가하며 꺾일 수 있습니다. 제공된 디스펜서가 가이드와이어를 보관하고 취급하는 데 사용할 수 있는 가장 좋은 방법입니다.

항상 가이드와이어를 단단히 잡은 상태를 유지하기 위해서 가이드와이어의 충분한 길이가 노출되어 있어야 합니다.

디스펜서

모든 가이드와이어는 Tyvek 파우치 안에 담겨 디스펜서 포장으로 제공됩니다. Tyvek 파우치에서 가이드와이어를 꺼내십시오. 가이드와이어 사용 직전에 가이드와이어 보호용 캡을 제거하십시오. 삽입 전에 가이드와이어를 준비하십시오. 삽입 시 가이드와이어를 웰의 수조에 담그기 위해 디스펜서를 해파린 용액(예: 식염수 또는 포도당)으로 채울 것을 권장합니다.

기형성 "J" 가이드와이어는 제품 디스펜서에서 꺼내면 그 모양을 다시 찾습니다.



1. 가이드와이어 보호용 캡

점검

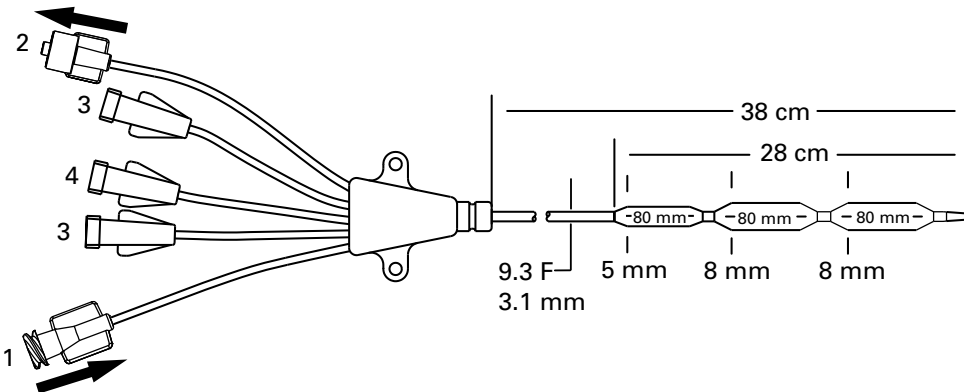
사용 전에 가이드와이어를 점검하고 가이드와이어가 변형된 경우 폐기하십시오. X레이 또는 형광투시 검사를 통해 가이드와이어 배치를 정기적으로 모니터링해야 합니다.

기법

1. 혈관을 천공하십시오.
2. 바늘을 통해 가이드와이어를 삽입하고 천공된 혈관으로 가이드와이어 5~10 cm를 부드럽게 삽입하십시오. 원하는 위치로 가이드와이어를 이동하십시오.
주의. 가이드와이어 또는 혈관 손상을 방지하기 위해서 가이드와이어를 거칠게 또는 과도하게 힘을 주어 다루지 마십시오.
3. 가이드와이어에서 바늘을 제거하십시오.
4. 확장기를 약간 회전시키면서 조직과 혈관을 확장하십시오.
5. 확장기를 제거하십시오(혈관 확장은 혈관 확장을 위해서만 사용해야 합니다).
6. 가이드와이어에 밀어 넣어 카테터를 삽입하십시오.
7. 가이드와이어를 제거하십시오.

Icy 카테터

1. IN(유입) 루어
2. OUT(유출) 루어
3. 주입 포트
4. 원위부 루어



©2024 ZOLL Medical Corporation. All rights reserved. ZOLL 및 Icy는 미국 및/또는 기타 국가에서 ZOLL Medical Corporation 및/또는 ZOLL Circulation Inc.의 상표 또는 등록상표입니다. 모든 상표는 해당 소유권자의 자산입니다.

특허 정보: www.zoll.com/patents

Bahasa Indonesia (id)

Model IC-3893AE/8700-0782-40 & IC-3893CO/8700-0782-14

Kit Kateter Pertukaran Panas Intravaskular Icy® meliputi:

Jumlah	Deskripsi
1 AE(CO)	Kateter pertukaran panas intravaskular Icy 9,3 French x 38 cm Tiga luer infus Klem saluran perpanjangan Batang radiopak Tersalut heparin Applause
1 AE(CO)	Kawat Pemandu 0,032" (0,81 mm) x 75 cm
1 AE(CO)	Dilator pembuluh 10,5 F x 0,038" (3,6 mm x 1,0 mm)
1 AE(CO)	Tab & klip benang bedah lepas pasang
1 AE	Kateter OTN Radiopak 18 ga x 2½" (1,3 mm x 63 mm)
1 AE	Syringe 5 cc & Jarum 22 ga x 1½" (0,7 mm x 38 mm)
1 AE	Duk berlubang
1 AE	Jarum 18 ga x 2¾" (1,3 mm x 70 mm)
6 AE	Spons kasa 4" x 4" (10 cm x 10 cm)
1 AE	Benang bedah sutra 000
1 AE	Pisau bedah no. 11 dengan gagang panjang

Catatan - Komponen kit berdasarkan model

Setiap model dasar tersedia baik dengan kit pendukung pemasangan standar (AE) atau tanpa kit pendukung pemasangan standar (CO). Komponen yang umum untuk kedua kit diberi label AE(CO) di dalam tabel di atas. Komponen tambahan yang hanya terdapat di dalam kit standar diberi label AE.

Deskripsi perangkat

Kateter pertukaran panas intravaskular Icy ("kateter Icy" atau "kateter") adalah kateter steril, sekali pakai, fleksibel, dan berukuran 9,3 F yang dirancang untuk ditempatkan di dalam vena kava inferior (inferior vena cava - IVC) dari lokasi pemasangan di vena femoralis. Kateter Icy harus dihubungkan ke Start-Up Kit ZOLL® sekali pakai buang dan jajaran konsol Coolgard® atau Thermogard® ("konsol") (semua disediakan secara terpisah). Dilator dan kawat pemandu diperlukan untuk pemasangan kateter Icy secara perkutan. Tersedia tiga Luer untuk infus dan pengambilan sampel.

Port infus	Laju alir	Volume priming
Distal (cokelat)	1.700 mL/jam	0,5 cc
Medial (putih)	900 mL/jam	0,4 cc
Proksimal (biru)	1.200 mL/jam	0,4 cc

Permukaan kateter yang kontak dengan darah (ujung, balon, dan batang) diberi perlakuan dengan salutan heparin Applause antitrombotik.

Sterilitas

Disterilkan dengan etilena oksida. Kateter disediakan dalam keadaan steril, hanya untuk sekali pakai, dan tidak boleh disterilkan ulang. Kemasan harus diperiksa sebelum digunakan untuk memastikan bahwa lapisan pelindung sterilitas tidak rusak.

Penyimpanan

Simpan di tempat yang sejuk dan kering. Hindari pembekuan dan panas yang berlebihan.

Penggunaan yang dimaksudkan

Kateter Icy jika dikombinasikan dengan Sistem Coolgard atau Thermogard memungkinkan sirkulasi larutan saline yang suhunya terkontrol melalui penukar panas untuk mendinginkan/menghangatkan kembali darah pasien pada pasien yang berisiko memerlukan pemasangan kateter vena sentral. Periode penggunaan maksimum: 4 hari.

Kontraindikasi

- Risiko dari kateter pada dasarnya adalah risiko dari kateter sentral. Kateter tidak boleh digunakan pada pasien yang tidak dindikasi untuk pemasangan kateter vena sentral.
- Diatesis perdarahan.
- Sepsis aktif.
- Infeksi atau perdarahan aktif di lokasi pemasangan kateter.
- Pasien tanpa akses vaskular, atau sistem vaskular yang tidak dapat menampung kateter, termasuk pasien dengan filter vena kava atau implan lainnya yang menghambat lewatnya kateter.
- Pasien yang pemantauan suhu wajibnya tidak dapat dilakukan.
- Hipotermia dikontraindikasi pada pasien dengan penyakit hematologi yang akan memburuk jika terjadi hipotermia (misalnya, penyakit yang menghasilkan kriglobulinemia, hemoglobinopati di mana anemia hemolitik dapat dipicu oleh suhu dingin termasuk Penyakit Anemia Sel Sabit atau Talasemia).
- Tidak dimaksudkan untuk penggunaan pada pediatrik atau neonatus.

Peringatan, tindakan pencegahan, reaksi tidak diinginkan

Kateterisasi vena sentral hanya boleh dilakukan oleh personel yang terlatih dengan baik dan berpengalaman dalam penanda anatomi dan teknik yang aman. Personel juga harus memiliki pengetahuan tentang potensi komplikasi.

PERINGATAN

Kateter harus ditempatkan hanya melalui pendekatan vena femoralis. Jangan menempatkan kateter di dalam atrium kanan atau ventrikel kanan. Penempatan di atrium kanan atau ventrikel kanan dapat mengakibatkan cedera parah atau kematian pada pasien.

Hanya untuk sekali pakai. Produk ini dirancang hanya untuk sekali pakai. Jangan disterilkan ulang atau dipakai ulang. Jangan memasukkannya kembali, setelah dikeluarkan dari tubuh pasien. Jangan mengubah kateter dengan cara apa pun.

Potensi risiko penggunaan ulang perangkat sekali pakai meliputi tetapi tidak terbatas pada:

- Infeksi yang berpotensi mengancam nyawa
- Syok toksik akibat degradasi bahan
- Peningkatan risiko trombotik
- Penurunan daya pertukaran panas
- Kegagalan perangkat

PERINGATAN. Kateter Icy dan Start-Up Kit dapat salah dihubungkan dengan perangkat lainnya yang memiliki konektor berlubang kecil. Kesalahan penghubungan tersebut dapat mengakibatkan cedera atau kematian pada pasien.

Perhatian. Luer kustom yang terdapat pada kateter dan Start-Up Kit dapat mengurangi risiko kesalahan penghubungan, tetapi masih terdapat potensi kesalahan penghubungan dengan aplikasi perangkat medis khusus berikut: Aplikasi perangkat Sistem Pernapasan & Gas Pendorong, aplikasi perangkat Usus & Lambung, aplikasi perangkat Uretra & Urinaria, aplikasi perangkat Inflasi Manset Ekstremitas, aplikasi perangkat Neuraksial, dan aplikasi perangkat Intravaskular atau Hipodermik. Berhati-hatilah saat menghubungkan kateter ZOLL dan Start-Up Kit ke aplikasi-aplikasi perangkat ini dan perangkat medis lainnya.

Perhatian. Pastikan kateter Icy dan/atau Start-Up Kit tidak terhubung ke perangkat IV atau perangkat medis lainnya.

- Kateter harus diposisikan sedemikian rupa sehingga ujung distal kateter berada di dalam vena kava inferior di bawah persimpangannya dengan atrium kanan dan sejajar dengan dinding pembuluh. Pemeriksaan rontgen harus digunakan untuk memastikan bahwa kateter tidak berada di atrium kanan atau ventrikel kanan.
- Perhatian.** Jika terlihat adanya darah di dalam sirkuit larutan saline, hentikan prosedur dan lakukan pemeriksaan kebocoran pada kateter.
- Kemungkinan komplikasi dengan kateter vena sentral meliputi: perforasi atrium atau ventrikel, tamponade jantung, emboli udara, emboli kateter, laserasi duktus toraksikus, bakteremia, septikemia, trombotik, pungsi arteri yang tidak disengaja, pembentukan hematoma, perdarahan, kerusakan saraf, dan disritmia.

4. Semua sambungan dan penutup Luer-Lock harus dikencangkan dengan aman untuk mencegah emboli udara atau kehilangan cairan atau darah.
5. Jangan pernah menggunakan tenaga secara berlebihan saat menggerakkan kateter atau kawat pemandu. Jika ditemukan adanya hambatan, pemeriksaan rontgen harus dilakukan untuk mengidentifikasi penyebab hambatan.
6. Kawat pemandu yang masuk ke dalam jantung kanan dapat menyebabkan disritmia, blok cabang berkas kanan, perforasi dinding pembuluh, atrium, atau ventrikel.
7. Hanya gunakan larutan salin normal yang steril untuk melakukan priming kateter. Larutan ini adalah cairan yang bersirkulasi di dalam kateter.
8. Kateter harus diperiksa secara rutin untuk mengecek laju alir, kekencangan balutan, posisi kateter yang benar, dan sambungan Luer-Lock yang kencang. Gunakan penanda sentimeter untuk mengidentifikasi apakah posisi kateter telah berubah. Potensi risiko yang terkait dengan kateter balon multilumen adalah terapi yang tidak memadai, termasuk kegagalan untuk memasukkan obat terapi melalui lumen infus.
9. Hanya pemeriksaan rontgen yang dapat memastikan bahwa ujung kateter tidak masuk ke jantung atau tidak lagi sejajar dengan dinding pembuluh. Jika posisi kateter telah berubah, lakukan pemeriksaan rontgen untuk mengonfirmasi posisi ujung kateter.
10. Untuk pengambilan sampel darah, tutup sementara port infus lainnya yang sedang menginfuskan larutan.
11. Hanya gunakan syringe 30 cc atau lebih kecil untuk pengambilan sampel darah.
12. Alkohol dan aseton dapat melemahkan struktur bahan pada batang. Oleh karena itu, perlu berhati-hati saat menginfuskan obat yang mengandung alkohol atau saat menggunakan alkohol atau aseton ketika melakukan perawatan dan pemeliharaan rutin kateter. Alkohol tidak boleh digunakan untuk menghilangkan gumpalan pada kateter.
13. Hanya gunakan tab dan klip benang bedah ZOLL yang disediakan di dalam kit untuk mencegah kerusakan kateter.
14. Penggunaan syringe yang lebih kecil dari 10 mL untuk melakukan irigasi atau menghilangkan gumpalan pada kateter yang tersumbat dapat menyebabkan kebocoran intraluminal atau ruptur kateter.
15. Jangan menginfus ke dalam sambungan Luer-Lock IN dan OUT yang berwarna oranye, karena akan mengakibatkan terapi yang tidak memadai.
16. Demam pada pasien mungkin disebabkan oleh infeksi dan/atau non-infeksi. Mitigasi demam sebagai tanda kemungkinan infeksi memerlukan penilaian tanda-tanda infeksi lainnya dengan cermat setiap hari.
17. Berhati-hatilah saat menginfuskan obat yang mungkin terpengaruh oleh suhu dingin (serendah 4 °C). Larutan yang mengandung manitol peka terhadap suhu dan tidak boleh dialirkan melalui kateter kecuali untuk injeksi syringe cepat (rapid push) larutan manitol hingga 20%, diikuti dengan pembilasan oleh larutan salin. Pengaliran manitol dengan konsentrasi yang lebih tinggi dari 20% melalui tetesan atau pompa infus harus dilakukan melalui saluran yang terpisah.
18. Tamponade Jantung: Pemasangan kateter menetap di atrium kanan adalah praktik yang dapat menyebabkan perforasi dan tamponade jantung. Dokter yang memasang kateter vena sentral harus menyadari komplikasi yang berpotensi fatal ini sebelum memajukan kateter terlalu jauh jika dibandingkan dengan ukuran tubuh pasien. Posisi aktual dari ujung kateter menetap harus dikonfirmasi dengan rontgen setelah pemasangan. Kateter vena sentral tidak boleh ditempatkan di dalam atrium kanan kecuali secara spesifik diperlukan untuk prosedur khusus yang secara relatif bersifat jangka pendek, seperti aspirasi emboli udara selama bedah saraf. Prosedur semacam itu tetap rawan risiko dan harus dipantau serta dikontrol secara ketat.
19. Kateter disalut dengan heparin. Hal ini dapat memicu atau memperparah trombositopenia terinduksi heparin (heparin induced thrombocytopenia - HIT) yang sudah ada sebelumnya.
20. **PERINGATAN.** Saat menghubungkan set infus/sistem injeksi ke kateter, jangan melebihi 100 psi/689 kPa.
21. Untuk pasien yang dibuat hipotermia, hipotermia itu sendiri dapat memperburuk beberapa keadaan penyakit. Berhati-hatilah untuk memantau homeostasis pasien dengan benar selama hipotermia.
 - Gangguan irama jantung – baik bradikardia maupun takiaritmia ventrikel.
 - Fungsi penggumpalan dan koagulasi. Pasien yang berisiko mengalami gangguan fungsi penggumpalan atau koagulasi harus dipantau secara saksama selama hipotermia.
 - Analisis gas darah dan pH. Hipotermia mengubah resting pH dan PaCO₂. Dokter harus menyadari efek suhu terhadap hasil.
 - Hipotermia berkepanjangan menekan respons imun dan fungsi paru-paru.

PERINGATAN. Kebocoran intraluminal atau balon. Kebocoran intraluminal (di antara lumen larutan salin dan lumen infus) atau kebocoran balon adalah mode kegagalan kateter yang potensial. Apabila terjadi kegagalan seperti itu, larutan salin steril dari sirkuit pendingin akan masuk ke dalam tubuh pasien. Kebocoran intraluminal atau kebocoran balon biasanya dikaitkan dengan alarm kehilangan cairan setelah kantong larutan salin kempis dan menghentikan sistem. **Selalu selidiki alarm tingkat ketinggian cairan.** Sirkuit pendingin adalah suatu sistem lingkaran tertutup – biasanya alarm kehilangan cairan menunjukkan kebocoran di suatu tempat dalam lingkaran tertutup ini. Dengan munculnya alarm kehilangan cairan, periksa baik integritas kateter maupun Start-Up Kit (lihat di bawah).

PERINGATAN. Jika Anda melihat kantong larutan salin kempis atau muncul alarm perangkap udara, jangan mengganti kantong larutan salin sebelum mengidentifikasi lokasi kebocoran dan melakukan tindakan mitigasi yang sesuai. Periksa kebocoran sistem sesuai dengan petunjuk di dalam bagian Periksa kebocoran pada Start-Up Kit dan Periksa kebocoran pada kateter di bawah ini. (Perhatikan bahwa kebocoran dapat bersifat eksternal atau internal.)

Mengganti kantong larutan salin berulang kali tanpa menyelidiki kebocoran atau kehilangan larutan salin dapat mengakibatkan infus larutan salin yang tidak diinginkan ke dalam tubuh pasien. Infus larutan salin dapat menyebabkan efek yang tidak diinginkan berikut: pembengkakan lokal yang kemudian dapat menyebabkan kerusakan jaringan lokal; kelebihan cairan sistemik yang dapat menyebabkan edema dependen dan kerusakan kulit setelahnya; kelebihan cairan pada organ dalam, yang kemudian mengakibatkan kelebihan cairan pada otak, paru-paru, atau jantung. Dalam beberapa kasus, kelebihan cairan ini dapat menyebabkan kejadian yang mengancam nyawa.

Perhatian. Konsol membunyikan alarm saat kantong larutan salin kosong. Kantong harus benar-benar kosong dan larutan salin tambahan harus kosong di antara penusuk kantong larutan salin dan perangkap udara agar tingkat ketinggian larutan salin di dalam perangkap udara cukup turun untuk memicu alarm.

Periksa kebocoran pada Start-Up Kit

1. Periksa perangkap udara untuk adanya kondensasi. Jika perangkap udara menunjukkan tanda-tanda kondensasi, seka perangkap udara dan pasang kembali di dalam konsol. Apabila muncul alarm perangkap udara, verifikasi bahwa alarm perangkap udara hilang setelah melakukan langkah ini.
2. Periksa dengan hati-hati adanya kebocoran pada saluran larutan salin mulai dari kantong larutan salin hingga konsol. Periksa apakah terdapat larutan salin di lantai, konsol, atau tempat tidur pasien.
3. Jika terdapat larutan salin di lantai, konsol, atau tempat tidur pasien, periksa apakah Luer pada kateter dan Start-Up Kit tidak retak atau rusak serta sambungannya cukup kencang untuk mencegah kebocoran.
4. Jika Anda menemukan kebocoran pada Start-Up Kit, ganti Start-Up Kit dan lihat apakah juga terdapat kebocoran pada kateter.
5. Jika Anda tidak menemukan kebocoran pada Start-Up Kit, kebocoran mungkin terdapat pada kateter. Selidiki lebih lanjut.

Periksa kebocoran pada kateter

1. Lepaskan Start-Up Kit dari kateter. Tutup baik kateter maupun Start-Up Kit dengan benar menggunakan teknik aseptik.
2. Isi syringe slip tip steril 10 mL dengan larutan salin steril.
3. Hubungkan syringe ke Luer IN pada kateter dan lepaskan tutup OUT. Infuskan 10 mL larutan salin – larutan salin harus mengalir keluar dari Luer OUT. Jika larutan salin tidak mengalir keluar dari Luer OUT, hal ini mengindikasikan adanya kebocoran kateter.

4. Tutup Luer OUT dan evakuasi 5 cc vakum. Tahan setidaknya selama 10 detik. Hingga 4 mL larutan salin (bukan darah) harus masuk ke dalam syringe dan vakum harus dapat Anda pertahankan. Jika jejak darah terlihat di syringe atau vakum tidak dapat dipertahankan, hal ini mengindikasikan adanya kebocoran kateter.
5. Jika Anda menemukan kebocoran pada kateter, ganti kateter.
6. Ganti kantong larutan salin dan lakukan priming ulang pada Start-Up Kit.
7. Pastikan bahwa sambungan Luer ke Start-Up Kit kedap bocor, lalu lanjutkan terapi.

Bahan yang dibutuhkan

Jumlah	Deskripsi
1	Kit Kateter Icy untuk dimasukkan secara perkutan
1	Kantong berisi larutan salin normal steril 500 cc (tidak disediakan)
	Start-Up Kit (disediakan secara terpisah)
1	<ul style="list-style-type: none"> • Selang standar 6 kaki (183 cm) atau • Selang diperpanjang 9 kaki (274 cm)
1	Konsol Coolgard atau Thermogard (disediakan secara terpisah)
1	Kit Aksesori Kateter [Hanya untuk (CO)]
1	Probe suhu YSI-400 (tidak disediakan)

Persiapan dan pemasangan kateter

Catatan. Kateter memiliki satu pita penanda radiopak untuk membantu identifikasi kateter selama dan setelah pemasangan saat dilihat menggunakan alat rontgen. Ujung proksimal pada balon proksimal memiliki satu pita penanda. Ujung kateter mengandung barium sulfat untuk membuatnya menjadi radiopak.

Gunakan teknik steril.

Perhatian. Luer-Lock IN dan OUT pada kateter ini dibuat secara kustom serta dimaksudkan untuk dihubungkan hanya dengan Start-Up Kit yang tercantum di dalam Bahan yang dibutuhkan.

Mempersiapkan kateter

1. Tempatkan pasien pada posisi telentang.
2. Persiapkan dan pasang duk di lokasi pungsi sesuai kebutuhan.
3. Keluarkan kateter dengan hati-hati dariemasannya, biarkan penutup membran kateter terpasang.
4. Lepaskan tutup dari Luer IN dan OUT. Dengan penutup kateter terpasang, isi syringe (5 cc atau lebih besar) dengan larutan salin steril dan pasang syringe ke Luer IN betina.

PERINGATAN. Jangan pernah menginjeksikan tekanan positif ke dalam Luer IN saat tutup Luer OUT terpasang.
5. Suntikkan larutan salin secara perlahan melalui kateter hingga larutan salin mulai keluar dari Luer OUT.
6. Dengan menggunakan syringe 5 cc atau lebih besar, bilas Luer infus distal, proksimal, dan medial dengan larutan salin steril. Klem atau pasang tutup injeksi ke Luer infus proksimal dan medial. Biarkan Luer distal terbuka agar kawat pemandu dapat lewat.

Perhatian. Selalu lakukan priming pada Luer infus kateter sebelum memasang kateter pada pasien.
7. Lepaskan penutup membran kateter. Jika terdapat hambatan saat melepas penutup membran dari kateter, bilas penutup membran dengan larutan salin steril. Periksa kateter untuk memastikan bahwa udara telah dikeluarkan dari membran pertukaran panas. Periksa apakah terdapat kebocoran pada kateter.

Perhatian. Hindari menyeka secara berlebihan kateter yang tersalut. Hindari menyeka kateter dengan kasa kering, karena dapat merusak salutan kateter. Hindari penggunaan alkohol, larutan antiseptik, atau pelarut lainnya untuk melakukan pra-perlakuan pada kateter, karena dapat menyebabkan perubahan tak terduga pada salutan, yang dapat memengaruhi keamanan dan kinerja perangkat.

PERINGATAN. Jangan memotong kateter untuk mengubah panjangnya.

Memasang kateter

PERINGATAN. Hanya gunakan pendekatan vena femoralis.

1. Dapatkan akses ke vena femoralis dengan menggunakan teknik perkutan standar. Akses harus dipertahankan dengan kawat pemandu 0,032" (0,81 mm). Lihat Petunjuk Penggunaan Kawat Pemandu.

PERINGATAN. Jangan mencoba memasukkan kembali jarum introducer OTN (over the needle [menyelubungi jarum]) yang telah dikeluarkan sebagian atau seluruhnya dari kateternya.

Perhatian. Jangan menggunakan kawat pemandu yang lebih besar dari 0,032" (0,81 mm) bersama kateter.
2. Dengan menahan kawat pemandu di tempatnya, keluarkan kateter introducer.

Perhatian. Pertahankan pegangan yang kuat pada kawat pemandu setiap saat.
3. Perbesar lokasi pungsi kutan dengan ujung pisau bedah yang diposisikan jauh dari kawat pemandu.

PERINGATAN. Jangan memotong kawat pemandu. Gunakan dilator pembuluh untuk memperbesar lokasi sesuai kebutuhan. Jangan biarkan dilator pembuluh terpasang sebagai kateter menetap, untuk meminimalkan risiko kemungkinan perforasi dinding pembuluh.
4. Masukkan ujung kateter melewati kawat pemandu. Pertahankan pegangan yang cukup kuat pada kawat pemandu selama pemasangan kateter. Pegang ujung kateter di dekat kulit, masukkan kateter ke dalam vena. Lanjutkan untuk memajukan kateter melewati kawat pemandu, dengan menempatkan jari-jari tangan Anda tepat secara proksimal terhadap balon.
5. Dengan menggunakan penanda sentimeter pada kateter sebagai titik acuan pengaturan posisi, majukan kateter setidaknya ke nomor penanda minimum untuk memastikan port infus proksimal berada di dalam pembuluh.
6. Tahan kateter pada kedalaman yang diinginkan dan keluarkan kawat pemandu. Jika hambatan ditemukan saat mencoba mengeluarkan kawat pemandu setelah pemasangan kateter, kawat pemandu mungkin tertekuk di ujung kateter. Jika hambatan ditemukan, tarik kateter secara relatif terhadap kawat pemandu sekitar 2–3 cm dan coba keluarkan kawat pemandu. Jika hambatan ditemukan lagi, keluarkan kawat pemandu dan kateter secara bersamaan.

Perhatian. Jangan memakai kekuatan yang berlebihan pada kawat pemandu.
7. Verifikasi bahwa kawat pemandu utuh setelah dikeluarkan.
8. Periksa penempatan kateter dengan memasang syringe ke Luer infus distal dan lakukan aspirasi hingga terlihat aliran darah vena yang mengalir bebas. Hubungkan Luer infus ke saluran Luer-Lock yang sesuai jika diperlukan. Port infus yang tidak digunakan dapat dikunci melalui tutup injeksi dengan menggunakan protokol standar rumah sakit. Sebuah klem geser disediakan pada selang untuk menghentikan aliran yang melalui Luer infus selama penggantian saluran dan tutup injeksi.

Perhatian. Untuk meminimalkan risiko kerusakan pada selang akibat tekanan yang berlebihan, klem harus dibuka sebelum memasukkan infus melalui Luer.

Perhatian. Jangan memasang klem pada atau menutup saluran IN atau OUT. Hal ini dapat menyebabkan penyumbatan saluran dan kemungkinan kegagalan.
9. Kencangkan serta balut sementara lokasi pemasangan dan kateter.
10. Verifikasi posisi ujung kateter dengan rontgen dada segera setelah ditempatkan. Pemeriksaan rontgen harus menunjukkan kateter yang terletak di dalam IVC dengan ujung distal kateter sejajar dengan dinding vena kava. Jika terjadi kesalahan pada posisi ujung kateter, posisikan ulang dan verifikasi ulang.

- Penanda radiopak proksimal menunjukkan ujung proksimal balon. Pastikan bahwa balon berada sepenuhnya di dalam pembuluh. Jika terjadi kesalahan pada posisi kateter, posisikan ulang dan verifikasi ulang.
- Kencangkan kateter pada tubuh pasien. Gunakan sayap samping tab benang bedah sebagai lokasi jahitan utama untuk meminimalkan risiko migrasi kateter.
- Tab dan klip benang bedah ZOLL juga dapat digunakan sebagai titik pelekatan tambahan. Pastikan badan kateter kencang dan tidak bergeser.

Perhatian. Hanya gunakan tab dan klip benang bedah ZOLL yang tersedia di dalam kit. Kerusakan kateter dapat terjadi jika digunakan tab atau klip lainnya.

Perhatian. Jangan menjahit langsung ke diameter luar kateter, untuk meminimalkan risiko memotong atau merusak kateter atau menghambat aliran kateter.

- Balut lokasi pungsi sesuai protokol rumah sakit. Lakukan perawatan pada lokasi pemasangan dengan penggantian balutan yang cermat dan rutin dengan menggunakan teknik aseptik.
- Catat panjang kateter menetap pada rekam medis pasien dengan menggunakan penanda sentimeter di batang kateter sebagai acuan. Penilaian ulang secara visual harus sering dilakukan untuk memastikan bahwa kateter tidak bergerak.
- Pasang Start-Up Kit yang telah di-priming ke kateter: Hubungkan Luer jantan pada Start-Up Kit ke Luer IN betina pada kateter (berlabel "IN"). Hubungkan Luer betina pada Start-Up Kit ke Luer OUT jantan pada kateter (berlabel "OUT"). Label "ZOLL" berwarna putih dipasang secara longgar ke selang perpanjangan IN dan OUT untuk membantu identifikasi.

Catatan. Luer IN dan OUT pada Start-Up Kit hanya dimaksudkan untuk dihubungkan ke Luer IN dan OUT pada kateter, serta tidak dimaksudkan untuk dihubungkan ke syringe Luer Lock standar. Luer-luer ini memiliki sambungan kustom ZOLL dan berwarna oranye untuk memudahkan identifikasi.

- Pastikan bahwa terdapat larutan salin steril dalam jumlah yang cukup di ujung Luer agar sambungan bebas dari udara. Baca manual pengoperasian.

PERINGATAN. Kegagalan menghubungkan Start-Up Kit ke kateter dengan benar dapat mengakibatkan kegagalan kateter. Jangan pasang Luer (oranye) Start-Up Kit ke Luer berwarna biru, putih, atau cokelat.

Perhatian. Jangan pasang Start-Up Kit ke port distal.

Perhatian. Jangan menempatkan keran apa pun di saluran yang dapat tertutup secara tidak sengaja. Hal ini dapat menyebabkan penyumbatan saluran dan kemungkinan kegagalan.

- Pompa larutan salin melalui Start-Up Kit dan kateter untuk memastikan semua sambungan kencang serta tidak ada kebocoran. Biarkan udara yang tersisa di dalam sistem dikeluarkan seperti yang dijelaskan di dalam manual pengoperasian.

Melepaskan kateter dari konsol

- Hentikan sirkulasi larutan salin yang melalui kateter.
- Lepaskan Start-Up Kit dari kateter.
- Untuk menjaga agar sambungan tetap steril, segera tutup konektor Luer baik pada kateter maupun Start-Up Kit dengan menggunakan tutup Luer steril, atau hubungkan Luer IN dan OUT dengan satu sama lain.

Menghubungkan kembali kateter ke konsol

- Lepaskan tutup Luer dari konektor Luer pada kateter dan Start-Up Kit. Buang tutup Luer, atau lepaskan Luer IN dan OUT dari satu sama lain.
- Pasang Start-Up Kit ke kateter: Hubungkan Luer jantan pada Start-Up Kit ke Luer IN betina pada kateter. Hubungkan Luer betina pada Start-Up Kit ke Luer OUT jantan pada kateter. Luer IN dan OUT pada Start-Up Kit dan kateter berwarna oranye. Pastikan bahwa terdapat larutan salin steril dalam jumlah yang cukup di ujung Luer agar sambungan bebas dari udara.

PERINGATAN. Kegagalan menghubungkan Start-Up Kit ke kateter dengan benar dapat mengakibatkan kegagalan kateter.

PERINGATAN. Jangan gunakan sambungan Luer IN dan OUT untuk port infus kateter vena sentral standar. Sambungan luer ini hanya untuk dihubungkan ke konsol Coolgard/Thermogard. Luer IN dan OUT pada Start-Up Kit hanya dimaksudkan untuk dihubungkan ke Luer IN dan OUT pada kateter. Luer-luer ini memiliki sambungan kustom ZOLL dan berwarna oranye untuk memudahkan identifikasi.

Perhatian. Jangan menempatkan keran tambahan di saluran yang dapat tertutup secara tidak sengaja. Hal ini dapat menyebabkan penyumbatan saluran dan kemungkinan kegagalan.

Mengeluarkan kateter

- Hentikan memompa larutan salin melalui kateter.
- Lepaskan Start-Up Kit dari kateter. **Buka tutup atau biarkan terbuka Luer IN dan OUT pada kateter.** Hal ini akan memungkinkan sisa larutan salin di dalam sirkuit untuk dikeluarkan. Saat kateter ditarik, balon akan terkompresi. Larutan salin di dalam balon harus mengalir bebas keluar dari balon. Jika tidak, balon tidak akan mengempis, sehingga kateter sulit dikeluarkan.
- Atau, pasang syringe 20 atau 25 cc ke Luer IN pada kateter. Buat menjadi vakum dan tahan vakum selama 15 detik untuk memungkinkan sisa larutan salin dikeluarkan dari bagian balon kateter sebelum mengeluarkan kateter.
- Tempatkan pasien pada posisi telentang. Lepaskan balutan. Lepaskan benang bedah dari lokasi jahitan.

PERINGATAN. Jangan memasang tutup Luer pada Luer OUT.

- Keluarkan kateter secara perlahan dari tubuh pasien. Saat kateter keluar dari lokasi, berikan tekanan dengan balutan kecap udara (misalnya kasa Vaseline).

PERINGATAN. Jangan menggerakkan kateter jika terasa ada hambatan. Periksa untuk memastikan bahwa Luer IN dan OUT pada sirkuit pendingin TIDAK tertutup. Jika tertutup, buka tutupnya, kempiskan balonnya, dan coba keluarkan lagi kateter. Jika hambatan masih ditemukan, pemeriksaan rontgen harus dilakukan untuk mengidentifikasi penyebab hambatan.

Informasi keamanan MRI



MR Bersyarat

Kateter Pertukaran Panas Intravaskular Icy adalah MR Bersyarat. Pasien dengan kateter ini dapat dipindai dengan aman dalam kondisi di bawah ini. Kegagalan untuk mematuhi kondisi ini dapat mengakibatkan cedera pada pasien.

Parameter	Kondisi
Nilai Nominal Medan Magnet Statis (T)	1,5 T dan 3,0 T
Gradien Medan Spasial Maksimum (T/m dan gauss/cm)	40 T/m (4.000 gauss/cm)
Jenis Eksitasi RF	Terkutub Melingkar (Circularly Polarized - CP) (yaitu, digerakkan oleh kuadratur)
Informasi Koil RF pemancar	Tidak ada batasan untuk koil RF pemancar. Oleh karena itu, koil berikut ini dapat digunakan: koil RF tubuh pemancar dan semua kombinasi koil RF lainnya (yaitu, koil RF tubuh dikombinasikan dengan koil RF penerima-saja, koil RF kepala pemancar/penerima, koil RF lutut pemancar/penerima, dsb.)
Mode Pengoperasian pada Sistem MR	Mode Pengoperasian Normal
SAR Rerata Seluruh Tubuh Maksimum	2 W/kg (Mode Pengoperasian Normal)
Batas Durasi Pemindaian	SAR rerata seluruh tubuh 2 W/kg selama 60 menit paparan RF kontinu (yaitu, per urutan pulsa atau urutan/rangkaian bolak-balik tanpa jeda)

Parameter	Kondisi
Artefak Gambar MR	Adanya implan ini menghasilkan artefak pencitraan. Oleh karena itu, berhati-hatilah saat memilih parameter urutan pulsa jika implan terletak di area target.
PERINGATAN	Konsol Coolgard dan Thermogard ZOLL adalah MR Tak Aman dan, dengan demikian, konsol-konsol ini tidak diperbolehkan berada di ruang sistem MR. Oleh karena itu, kateter harus dilepaskan dari konsol sebelum memindahkan pasien ke ruang sistem MR.

Petunjuk Penggunaan Kawat Pemandu

Catatan. Informasi ini hanya berlaku untuk penggunaan kawat pemandu dalam teknik Seldinger pada penempatan kateter di sistem pembuluh darah.

Peringatan

Kawat pemandu yang disediakan dirancang hanya untuk sekali pakai. Jangan disterilkan ulang atau dipakai ulang. Jangan memasukkannya kembali, setelah dikeluarkan dari tubuh pasien.

Apabila terasa adanya hambatan selama pemasangan atau pengeluaran, jangan lanjutkan menggerakkan kawat pemandu. Tentukan penyebabnya dengan fluoroskopi dan ambil tindakan yang diperlukan.

Sangat berhati-hatilah saat menggerakkan kawat pemandu melalui stent. Penggunaan kawat pemandu pada pembuluh yang dipasang stent menimbulkan risiko tambahan bagi pasien.

Perhatian

Hindari menarik kawat pemandu melalui jarum logam; kawat pemandu dapat patah.

Karena sifat kawat pemandu yang halus dan rapuh, penanganannya harus ekstra hati-hati. Hindari bengkok atau tertekuk. Jangan menggunakan kabel pemandu yang rusak.

Selama penyimpanan atau prosedur, hindari menggulung kawat pemandu dengan diameter kurang dari 8 inci (20,32 cm), karena diameter yang lebih kecil memberikan tekanan yang tidak perlu pada kawat pemandu dan dapat menyebabkannya tertekuk. Dispenser yang disediakan adalah cara terbaik untuk menyimpan dan menangani kawat pemandu.

Panjang kawat pemandu yang cukup harus tetap terlihat untuk mempertahankan pegangan yang kuat pada kawat pemandu setiap saat.

Dispenser

Setiap kawat pemandu disediakan di dalam kemasan dispenser dalam kantong Tyvek. Keluarkan kawat pemandu dari kantong Tyvek. Lepaskan tutup pelindung kawat pemandu tepat sebelum kawat pemandu digunakan. Siapkan kawat pemandu sebelum pemasangan. Dianjurkan untuk mengisi dispenser dengan larutan berheparin (misalnya saline atau dekstrosa) untuk membasahi kawat pemandu selama pemasangan.

Kawat pemandu "J" yang telah dibentuk sebelumnya akan kembali ke bentuknya saat dikeluarkan dari dispenser produk.



1. Tutup pelindung kawat pemandu

Pemeriksaan

Periksa kawat pemandu sebelum digunakan dan buang jika ada deformitas di kawat pemandu. Penempatan kawat pemandu harus dipantau secara rutin dengan prosedur rontgen atau fluoroskopi.

Teknik

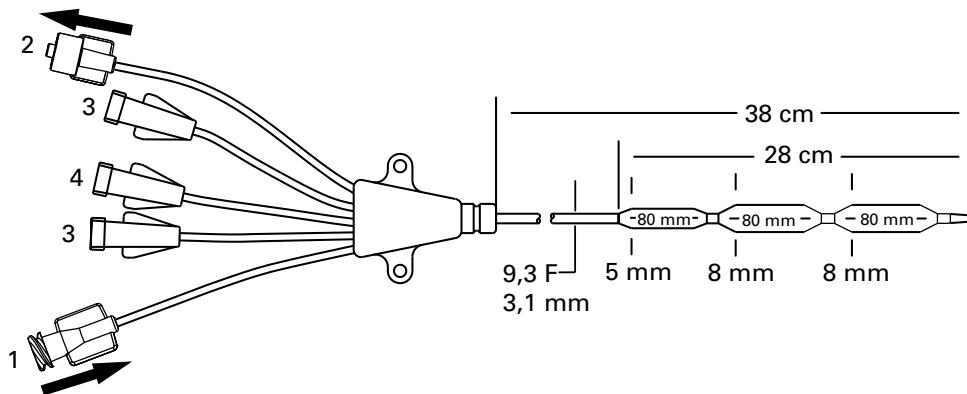
1. Lakukan pungsi pada pembuluh.
2. Masukkan kawat pemandu ke dalam hub jarum dan secara perlahan majukan kawat pemandu 5–10 cm ke dalam pembuluh yang dipungsi. Arahkan kawat pemandu ke posisi yang diinginkan.

Perhatian. Hindari memanipulasi kawat pemandu secara kasar atau terlalu kuat untuk mencegah kerusakan pada kawat pemandu atau pembuluh.

3. Lepaskan jarum dari kawat pemandu.
4. Lebarkan jaringan dan pembuluh dengan dilator dengan menggunakan sedikit gerakan memutar.
5. Keluarkan dilator (dilator pembuluh dimaksudkan hanya untuk melebarkan pembuluh).
6. Masukkan kateter dengan cara menggesernya melewati kawat pemandu.
7. Keluarkan kawat pemandu.

Kateter Icy

1. Luer IN
2. Luer OUT
3. Port Infus
4. Luer Distal



©2024 ZOLL Medical Corporation. Hak cipta dilindungi undang-undang.
ZOLL dan Icy adalah merek dagang atau merek dagang terdaftar dari
ZOLL Medical Corporation dan/atau ZOLL Circulation Inc. di Amerika Serikat
dan/atau negara lainnya. Semua merek dagang adalah milik dari pemiliknya
masing-masing.

Paten: www.zoll.com/patents

Eesti (et)

Mudelid IC-3893AE/8700-0782-40 ja IC-3893CO/8700-0782-14

Intravaskulaarse soojusvahetikateetri komplekt Icy® sisaldab järgmist.

Kogus	Kirjeldus
1 AE (CO)	Intravaskulaarne soojusvahetikateeter Icy 9,3 F × 38 cm Kolmekordne infusiooni Luer-liitmik Pikendusvooliku klambrid Röntgenkontrastne vars Applause-hepariinkattega
1 AE (CO)	Juhtetraat 0,81 mm (0,032 tolli) × 75 cm
1 AE (CO)	Veresoone dilataator 3,6 mm × 1,0 mm (10,5 F × 0,038 tolli)
1 AE (CO)	Eemaldatav õmblustiib ja klamber
1 AE	1,3 mm × 63 mm (18 G × 2½ tolli) röntgenkontrastne OTN-kateeter
1 AE	5 ml süstal ja 0,7 mm × 38 mm (22 G × 1½ tolli) nõel
1 AE	Avaga lina
1 AE	1,3 mm × 70 mm (18 G × 2¾ tolli) nõel
6 AE	10 cm × 10 cm (4 × 4 tolli) marlikäsna
1 AE	000 Õmblussiid
1 AE	Nr 11 pika käepidemega skalpell

Märkus. Komplekti osad vastavalt mudelile

Iga baasmudel on saadaval kas standardse toetava sisestuskomplektiga (AE) või ilma standardse toetava sisestuskomplektita (CO). Mõlema komplekti puhul ühised osad on ülalolevas tabelis tähisega AE (CO). Täiendavad osad, mis leiduvad ainult standardses komplektis, on tähisega AE.

Seadme kirjeldus

Intravaskulaarne soojusvahetikateeter Icy (edaspidi „kateeter Icy“ või „kateeter“) on steriilne ühekordselt kasutatav painduv 9,3 F kateeter, mis on mõeldud paigutamiseks alumisse õõnesveeni kägiveenis või rangluualuses veenis asuva sisestuskoha kaudu. Kateeter Icy on ette nähtud ühendamiseks ühekordselt kasutatava ZOLL®-i stardikomplektiga ja konsoolisarjaga Coolgard® või Thermogard® (edaspidi „konsool“) (kõik tarnitakse eraldi). Kateetri Icy perkutaansiks sisestamiseks on nõutavad dilataator ja juhtetraat. Infusiooniks ja proovivõtuks on saadaval kolm Luer-liitmikku.

Infusiooniport	Läbivoolukiirus	Eeltäitmisaht
Distaalne (pruun)	1700 ml/h	0,5 ml
Mediaalne (valge)	900 ml/h	0,4 ml
Proksimaalne (sinine)	1200 ml/h	0,4 ml

Verega kokkupuutuvad kateetripinnad (ots, balloon ja vars) on töödeldud tromboosivastase Applause-hepariinkattega.

Steriilsus

Steriliseeritud etüleenoksiidiga. Kateeter on tarnitud steriilsena ainult ühekordselt kasutamiseks ja seda ei tohi uuesti steriliseerida. Enne kasutamist tuleb pakendit kontrollida veendumaks, et steriilsusbarjäär pole rikutud.

Hoiustamine

Hoida jahedas ja kuivas kohas. Vältida külmumist ja liigset kuumust.

Sihtotstarve

Kateeter Icy koos süsteemiga Coolgard või Thermogard võimaldab kontrollitud temperatuuriga füsioloogilise lahuse ringlust läbi soojusvaheti, et jahutada/soojendada sellise patsiendi verd, kelle puhul tsentraalveenikateetri riskid on maandatud. Maksimaalne kasutusae: 4 päeva.

Vastunäidustused

- Kateetriga seotud riskid on üldiselt samad mis tsentraalveenikateetri puhul. Kateetrit ei tohi kasutada patsientidel, kelle puhul tsentraalveenikateetri paigaldamine pole näidustatud.
- Vere hüübimishäired.
- Aktiivne sepsis.
- Infektsioon või aktiivne verejooks kateetri sisestuskohas.
- Vaskulaarse juurdepääsuta patsiendid või patsiendid sellise vaskulaarsüsteemiga, kuhu kateetrit ei saa paigutada, sealhulgas õõnesveeni filtrid või muud implantaadid, mis takistavad kateetri läbipääsu.
- Patsiendid, kelle puhul pole vajalik temperatuurijälgimine võimalik.
- Hüpotermia on vastunäidustatud patsientidele, kellel on hematoloogilisi haigusi, mis hüpotermia tagajärjel süvenevad (nt haigus, mis tekitab krüoglobulineemiat; hemoglobiнопaatia, mille puhul võib külm soodustada hemolüütilist aneemiat, sh sirprakuline aneemia või talasseemia).
- Pole ette nähtud kasutamiseks lastel ega vastsündinutel.

Hoiatused, ettevaatusabinõud, kõrvaltoimed

Tsentraalveeni kateteriseerimist tohib teha ainult korraliku väljaõppe läbinud töötaja, kes on kogenud anatoomiliste orientiiride paigutamises ja oskab seda teha ohutult. Töötajal peavad ka olema teadmised võimalikest tüsistustest.

HOIATUS

Kateetri paigaldamiseks tohib kasutada ainult reieveeni kaudu lähenemist. Ärge lubage kateetri sisestamist paremasse kotta ega paremasse vatsakesse. Paremasse kotta või paremasse vatsakesse paigaldamine võib põhjustada patsiendi vigastuse või surma.

Ainult ühekordselt kasutamiseks. Toode on ette nähtud ainult ühekordselt kasutamiseks. Ärge steriliseerige ega kasutage korduvalt. Ärge sisestage uuesti pärast patsiendist eemaldamist. Ärge muutke kateetrit mingil moel.

Ühekordselt kasutatava seadme korduskasutamisega kaasnevad muu hulgas järgmised võimalikud riskid.

- Potentsiaalne eluohtlik infektsioon
- Toksiline šokk materjalide halvenemise tõttu
- Suurenenud tromboosirisk
- Vähenenud soojusvaheti võimsus
- Seadme rikked

HOIATUS. Kateeter Icy ja stardikomplekt võivad teiste väikese avaga liitmikutega seadmetega valesti ühenduda. Taolised ühendusvead võivad põhjustada patsiendi vigastuse või surma.

Ettevaatus! Kateetri ja stardikomplektiga kaasas olevad kohandatud Luer-liitmikud võivad valeühenduste riski küll vähendada, kuid järgmiste konkreetsete meditsiiniseadmetega kasutamisel võib valesti ühendamise risk siiski esineda: hingamissüsteemid ja juhtgaasi, enteralsed ja gastraalsed, ureetra ja kuseteede, jäsememanseti täitmise, neuraksiaalsed ja intravaskulaarsed või hüpodermilised seadmed. Olge ZOLL-i kateetrite ja stardikomplektide nende ja muude meditsiiniseadmetega ühendamisel alati ettevaatlik.

Ettevaatus! Veenduge, et kateetrit Icy ja/või stardikomplekti ei ühendataks i.v. või muude meditsiiniseadmetega.

- Kateeter tuleb paigutada nii, et kateetri distaalne ots asub alumises õonesveenis parema koja ühenduskoha all ja on veresoone seinaga paralleelne. Kontrollige röntgenuuringu abil, et kateeter ei asuks paremas kojas ega vatsakeses.
- Ettevaatust!** Kui füsioloogilise lahuse ringluses on näha verd, peatage protseduur ja kontrollige kateetrit lekke suhtes.
- Tsentraalveenikateetriga seotud võimalikud tüsistused on koja või vatsakese perforatsioon, südame tamponaad, õhkemboolia, kateetri emboolia, rinnajuha rebend, bakteremia, septitseemia, tromboos, arteri tahtmatu punktsioon, hematoomi teke, hemorraagia, närvikahjustus ja rütmihäired.
- Kõik Luer-liitmike ühendused ja katted tuleb kindlalt sulgeda, et vältida õhkembooliat või vedeliku- või verekaotust.
- Ärge kunagi kasutage kateetri või juhtetraadi liigutamisel liigset jõudu. Takistuse korral tuleb teha röntgenuuring, et selgitada välja takistuse põhjus.
- Juhtetraadi viimine paremasse südamepoolde võib põhjustada rütmihäireid, parema sääre blokaadi, veresoonesei, koja või vatsakese perforatsiooni.
- Kasutage kateetri eeltäitmiseks ainult steriilset füsioloogilist lahust. See on kateetri ringlusvedelik.
- Kateetrit tuleb korrapäraselt kontrollida läbivoolukiiruse, sideme tugevuse, kateetri õige asendi ja Luer-liitmike ühenduste kindluse suhtes. Kasutage sentimeetritähiseid, et teha kindlaks kateetri asendi võimalik muutus. Mitme valendikuga balloonkateetriga seotud võimalik risk on ravi ebaõnnestumine, sh läbi infusiooni-valendike ravimite infundeerimise nurjumine.
- Ainult röntgenuuringuga on võimalik kontrollida, et kateetri ots poleks sisenenud südamesse või et see oleks veresoone seinaga endiselt paralleelne. Kui kateetri asend on muutunud, tehke röntgenuuring kontrollimaks kateetri otsa asendit.
- Vereproovi võtmiseks lülitage ülejäänud infusioonipordid, mille kaudu lahuseid infundeeritakse, ajutiselt välja.
- Kasutage vereproovi võtmiseks ainult 30 ml või väiksemat süstalt.
- Alkohol ja atsetoon võivad nõrgendada varre materjali struktuuri. Seetõttu tuleb olla ettevaatlik alkoholi sisaldavate ravimite infundeerimisel või kateetri tavapärase hooldamise ajal alkoholi või atsetooni kasutamisel. Kateetri hüübe eemaldamiseks ei tohi kasutada alkoholi.
- Kateetri kahjustamise vältimiseks kasutage ainult komplektis olevat ZOLL-i õmblustiiba ja klambrit.
- Ummistunud kateetri loputamiseks või sellest hüübe eemaldamiseks väiksema kui 10 ml süstla kasutamine võib põhjustada valendikusisest leket või kateetri rebendit.
- Ärge infundeerige oranžidesse sisselaske (IN) ja väljalaske (OUT) Luer-liitmikesse, kuna see põhjustab ravi nurjumise.
- Palavikul võivad olla patsientidele infektsioossed või mitteinfektsioossed põhjused. Palaviku leevendamine võimaliku infektsiooni märgina nõuab igapäevast põhjalikku hindamist muude infektsioonimärkide suhtes.
- Olge ettevaatlik, kui infundeerite ravimeid, mida võib mõjutada madal temperatuur (4 °C). Mannitooli sisaldavad lahused on temperatuuritundlikud ja neid ei tohi kateetri kaudu manustada, välja arvatud kuni 20% mannitoolilahuse kiireks sisestamiseks vahetult enne füsioloogilist lahust. Suurema kui 20% kontsentratsiooniga mannitooli manustamine tilguti või infusioonipumba abil peab toimuma eraldi liini kaudu.
- Südame tamponaad: sisemiste kateetrite paigutamine paremasse kotta võib põhjustada südame perforatsiooni ja tamponaadi. Tsentraalveenikateetri paigaldaja peab olema teadlik sellest võimalikust surmaga lõppevast tüsistusest enne kateetri edasiviimist patsiendi suurust arvestades liiga kaugele. Sisemise kateetri otsa tegelikku asendit tuleb pärast sisestamist kontrollida röntgeni abil. Tsentraalveenikateetrit ei tohi paigutada paremasse kotta, välja arvatud juhul, kui see on spetsiaalselt nõutav suhteliselt lühiajalisteks eriprotseduurideks, näiteks õhkemboolia aspireerimine neurokirurgiaprotseduuri ajal. Taolised protseduurid on sellegipoolest riskantsed ning neid tuleb hoolikalt jälgida ja kontrollida.
- Kateeter on kaetud hepariiniga. See võib põhjustada või süvendada olemasolevat hepariinist tingitud trombotsütopeeniat (HIT).
- HOIATUS.** Infusioonikomplektide/injektsioonisüsteemide ühendamisel kateetriga ärge ületage rõhku 100 psi / 689 kPa.
- Patsientide puhul, kellele rakendatakse hüpotermiat, võib hüpotermia ise süvendada teatud haigusseisundeid. Hüpotermia ajal tuleb patsiendi hemostaasi hoolikalt nõuetekohaselt jälgida.
 - Südame rütmihäired: nii bradükardia kui ka vatsakeste tahhüarütmia.
 - Hüübimine ja koagulatsioon. Patsiente, kellel esineb hüübimis- ja koagulatsioonihäirete risk, tuleb hüpotermia ajal hoolikalt jälgida.
 - Veregaaside ja pH analüüs. Hüpotermia muudab puhkeoleku pH ja PaCO₂ taset. Arstid peavad olema teadlikud temperatuuri mõjust tulemusele.
 - Pikaajaline hüpotermia pärsib immuunvastust ja kopsufunktsiooni.

HOIATUS. Valendikusisene või ballooni leke. Valendikusisene leke (füsioloogilise lahuse valendiku ja infusioonivalendike vahel) või ballooni leke on võimalik kateetri rikke tüüp. Sellise rikke korral sisestatakse patsiendile jahutusringlusest steriilset füsioloogilist lahust. Valendikusisene või ballooni leke on tavaliselt seotud vedelikukao häirega, kui füsioloogilise lahuse kott on tühjenenud ja süsteem peatub. **Uurige alati vedelikutaseme häireid.** Jahutusringlus on suletud süsteem – tavaliselt näitavad vedelikukao häired, et kusagil selles suletud ringluses on katkestus. Kontrollige iga vedelikukao häire korral nii kateetri kui ka stardikomplekti terviklust (vt allpool).

HOIATUS. Kui märkate tühjenenud füsioloogilise lahuse koti või õhupüüduuri häiret, ärge vahetage füsioloogilise lahuse kotti enne lekke asukoha kindlakstegemist ja sobivate leevendusmeetmete võtmist. Kontrollige süsteemi lekete suhtes allolevates jaotistes Stardikomplekti lekke kontrollimine ja Kateetri lekke kontrollimine toodud suuniste kohaselt. (Pange tähele, et leke võib olla väline või sisemine.)

Füsioloogilise lahuse koti korduv vahetamine ilma lekke või füsioloogilise lahuse kao uurimiseta võib põhjustada patsiendile soovimatu füsioloogilise lahuse infusiooni. Füsioloogilise lahuse infusioon võib põhjustada järgmisi kõrvaltoimeid: lokaalne turse, mis võib põhjustada järgnevat lokaalset koekahjustust; süsteemne vedeliku ülekoormus, mis võib põhjustada turset ja sellele järgnevat nahakahjustust; siseorganite vedeliku ülekoormus, millele järgneb aju, kopsude või südame ülekoormus. Mõnel juhul võib selline vedeliku ülekoormus põhjustada eluohtlikke juhtumeid.

Ettevaatust! Konsool annab häire, kui füsioloogilise lahuse kott on tühi. Kott peab olema täiesti tühi ning füsioloogilise lahuse teraviku ja õhupüüduuri vahelt peab olema välja voolanud füsioloogilist lahust, et õhupüüduuri füsioloogilise lahuse tase langeks häire käivitamiseks piisavalt.

Stardikomplekti lekke kontrollimine

- Kontrollige õhupüüduuril kondensatsiooni. Kui õhupüüduuril on kondensatsiooni märke, pühkige õhupüüdur puhtaks ja paigaldage see uuesti konsooli. Õhupüüduuri häire korral kontrollige, kas õhupüüduuri häire on pärast seda sammu kadunud.
- Kontrollige füsioloogilise lahuse teed füsioloogilise lahuse kotist konsoolini hoolikalt lekete suhtes. Kontrollige, kas põrandal, konsoolil või patsiendi voodil on füsioloogilist lahust.
- Kui põrandal, konsoolil või patsiendi voodil on füsioloogilist lahust, kontrollige, et kateetri ja stardikomplekti Luer-liitmik ei oleks pragnunenud ega kahjustatud ning ühendused oleksid lekete vältimiseks piisavalt tihedad.
- Kui leiate stardikomplektist lekke, vahetage stardikomplekt välja ja vaadake, kas leke on ka kateetris.
- Kui te ei leia stardikomplektist leket, on leke tõenäoliselt kateetris. Jätke kontrollimist.

Kateetri lekke kontrollimine

1. Eraldage stardikomplekt kateetrist. Sulgege kateeter ja stardikomplekt korralikult korgiga aseptilist tehnikat kasutades.
2. Täitke steriilne 10 ml lükatava otsaga süstal steriilse füsioloogilise lahusega.
3. Ühendage süstal kateetri sisselaske (IN) Luer-liitmikuga ja eemaldage väljalaskekork (OUT). Infundeerige 10 ml füsioloogilist lahust – füsioloogiline lahus peaks väljalaske (OUT) Luer-liitmikust välja voolama. Kui füsioloogiline lahus väljalaske (OUT) Luer-liitmikust välja ei voola, näitab see kateetri lekke.
4. Sulgege väljalaske (OUT) Luer-liitmiku kork ja tõmmake 5 ml vaakumisse. Hoidke vähemalt 10 sekundit. Süstlasse peaks sisenema kuni 4 ml füsioloogilist lahust (mitte verd) ja peaksite saama vaakumit hoida. Kui süstlas on näha verejälgi või vaakumit ei ole võimalik hoida, näitab see kateetri lekke.
5. Kui leiate kateetris lekke, vahetage kateeter välja.
6. Asendage füsioloogilise lahuse kott ja täitke stardikomplekt uuesti.
7. Veenduge, et Luer-liitmik oleks stardikomplektiga lekkekindlalt ühendatud, ja jätkake ravi.

Vajalikud materjalid

Kogus	Kirjeldus
1	Kateetrikomplekt lcy perkutaanses sisestamiseks
1	500 ml steriilse füsioloogilise lahuse kott (pole kaasas) Stardikomplekt (saadaval eraldi)
1	<ul style="list-style-type: none">• 183 cm (6 jala) pikkune standardvoolik või• 274 cm (9 jala) pikkune pikendatud voolik
1	Konsool Coolgard või Thermogard (saadaval eraldi)
1	Kateetri hõlbustuskomplekt [ainult (CO) puhul]
1	YSI-400 temperatuuriandur (pole kaasas)

Kateetri ettevalmistamine ja sisestamine

Märkus. Kateetril on röntgenkontrastne markerriba, mis hõlbustab röntgeniseadme abil kateetri tuvastamist sisestamise ajal ja pärast sisestamist. Proksimaalse ballooni proksimaalsel otsal on üks markerriba. Kateetri ots sisaldab baariumsulfaati, mis muudab selle röntgenkontrastseks.

Kasutage steriilset tehnikat.

Ettevaatust! Selle kateetri sisselaske (IN) ja väljalaske (OUT) Luer-liitmikud on kohandatud kujuga ning ette nähtud ühendamiseks ainult vajalike materjalide loendis nimetatud stardikomplektiga.

Kateetri ettevalmistamine

1. Asetage patsient selili.
2. Valmistage punktsioonikoht nõutud viisil ette ja katke linaga.
3. Võtke kateeter ettevaatlikult pakendist välja, jättes kateetri membraankatte peale.
4. Eemaldage korgid sisselaske (IN) ja väljalaske (OUT) Luer-liitmikelt. Täitke süstal (5 ml või suurem) steriilse füsioloogilise lahusega ja kinnitage sisselaske (IN) Luer-pesa külge, nii et kateetri kate on endiselt peal.
HOIATUS. Ärge kunagi injekteerige sisselaske (IN) Luer-liitmikku positiivset rõhku, kui väljalaske (OUT) Luer-liitmik pole korgiga suletud.
5. Süstige ettevaatlikult füsioloogilist lahust läbi kateetri, kuni see hakkab väljalaske (OUT) Luer-liitmikust väljuma.

6. Kasutades 5 ml või suuremat süstalt, loputage distaalset, proksimaalset ja mediaalset infusiooni Luer-liitmikku steriilse füsioloogilise lahusega. Sulgege proksimaalne ja mediaalne infusiooni Luer-liitmik klambri või injektsioonikorgiga. Jätke distaalne Luer-liitmik juhtetraadi läbiviimiseks avatuks.

Ettevaatust! Enne kateetri sisestamist patsienti tuleb kateetri infusiooni Luer-liitmikud alati eeltäita.

7. Eemaldage kateetri membraankate. Kui kateetrit membraankatte eemaldamisel on tunda takistust, loputage membraankatet steriilse füsioloogilise lahusega. Vaadake kateeter üle veendumaks, et õhk on soojusvaheti membraanist väljutatud. Kontrollige kateetrit lekete suhtes.

Ettevaatust! Vältige kaetud kateetri liigset pühkimist. Vältige kateetri pühkimist kuiva marllapiga, kuna see võib kateetri katet kahjustada. Vältige kateetri eeltöötlemisel alkoholi, antiseptiliste lahuste või muude lahustite kasutamist, kuna need võivad põhjustada kattele ettenägematuid muutusi, mis võivad mõjutada seadme ohutust ja toimivust.

HOIATUS. Ärge lõigake kateetrit selle pikkuse muutmiseks.

Kateetri sisestamine

HOIATUS. Kasutage ainult reieveeni kaudu lähenemist.

1. Saavutage reieveeni kaudu juurdepääs, kasutades standardset perkutaanset tehnikat. Juurdepääs tuleb säilitada 0,81 mm (0,032-tollise) juhtetraadiga. Vaadake juhtetraadi kasutusjuhiseid.
HOIATUS. Ärge üritage nõelapealsest (OTN) sisestuskateetrist osaliselt või täielikult väljatõmmatud nõela uuesti sisestada.
Ettevaatust! Ärge kasutage kateetriga suuremat kui 0,81 mm (0,032-tollist) juhtetraati.
2. Hoides juhtetraati paigal, eemaldage sisestuskateeter.
Ettevaatust! Tagage pidev kindel haare juhtetraadile.
3. Suurendage naha punktsioonikohta skalpelli lõikeservaga, mis on asetatud juhtetraadist eemale.
HOIATUS. Ärge lõigake juhtetraati. Kasutage punktsioonikoha suurendamiseks vajadust mööda veresoone dilataatorit. Veresoone seina perforatsiooniriski vähendamiseks ärge jätke dilataatorit paika veresoone sees asuva kateetrina.
4. Juhtige kateetri ots üle juhtetraadi. Säilitage kateetri sisestamise ajal juhtetraadile piisavalt tugev haare. Haarates naha lähedal kateetri otsast, viige kateeter veeni. Jätkake kateetri edasilükkamist üle juhtetraadi, asetades sõrmed vahetult ballooni lähedale.
5. Kasutades paigutamisel viitepunktidenähtu kateetril olevaid sentimeetritähiseid, viige kateeter edasi vähemalt minimaalse markerinumbrini tagamaks, et proksimaalne infusiooniport on veresoones.
6. Hoidke kateetrit soovitud sügavusel ja eemaldage juhtetraat. Kui tunnete pärast kateetri paigaldamist juhtetraadi eemaldamisel takistust, võib juhtetraat olla kateetri otsa juures väändunud. Takistuse tundmisel tõmmake kateeter juhtetraadi suhtes 2–3 cm tagasi ja proovige siis juhtetraat eemaldada. Kui tunnete uuesti takistust, eemaldage juhtetraat ja kateeter korraga.
Ettevaatust! Ärge rakendage juhtetraadile liigset jõudu.
7. Kontrollige juhtetraadi eemaldamisel, kas see on terve.
8. Kontrollige kateetri paigutust, kinnitades distaalsele infusiooni Luer-liitmikule süstla ja aspireerides, kuni on märgata veenivere vaba voolu. Ühendage infusiooni Luer-liitmik vajadust mööda sobiva Luer-liiniga. Kasutamata infusioonipordi võib injektsioonikorgi abil lukustada, kasutades standardset haigla protokollit. Voolik on varustatud lükatava klambri, et sulgeda liini ja injektsioonikorgi vahetamise ajaks vool läbi infusiooni Luer-liitmiku.
Ettevaatust! Ülemäärases rõhust tingitud vooliku kahjustamise ohu minimeerimiseks tuleb klamber avada enne Luer-liitmiku kaudu infundeerimist.

Ettevaatust! Ärge klammerdage ega sulgege sisselaske (IN) ja väljalaske (OUT) liine. See võib põhjustada liini blokeerumise ja võimaliku rikke.

- Kindlustage ja siduge sisestuskoht ning kateeter ajutiselt.
- Kontrollige kateetri otsa asendit röntgeni abil kohe pärast kateetri paigaldamist. Röntgenuuring peab näitama kateetrit alumises õonesveenis, nii et kateetri distaalne ots on õonesveeni seinaga paralleelne. Kui kateetri ots on vales asendis, paigutage see ümber ja kontrollige uuesti.
- Proksimaalne röntgenkontrastne marker näitab ballooni proksimaalset otsa. Veenduge, et balloon asuks täielikult veresoones. Kui kateeter on vales asendis, paigutage see ümber ja kontrollige uuesti.
- Kinnitage kateeter patsiendi külge. Kasutage õmblustiiva küljelapatsid peamise õmbluskohana, et minimeerida kateetri paigaltnihkumise ohtu.
- Täiendava kinnituspunktina võib kasutada ka ZOLL-i õmblustiiba ja klambrit. Veenduge, et kateetri korpus oleks kindlalt paigas ega libiseks.

Ettevaatust! Kasutage ainult komplektis olevat ZOLL-i õmblustiiba ja klambrit. Muude tiibade või klambrite kasutamisel võib kateeter kahjustuda.

Ettevaatust! Minimeerimaks kateetri lõikamise või kahjustamise või kateetri läbivoolu takistamise ohtu, ärge õmmelge otse kateetri välisläbimõõdu külge.

- Siduge punktsioonikoht haigla protokolli kohaselt. Siduge sisestuskoht regulaarselt hoolikalt ümber, kasutades aseptilist tehnikat.
 - Märkige patsiendi kaardile sisemise kateetri pikkus, kasutades viiteks kateetri varrel olevaid sentimeetritähiseid. Kontrollige sageli visuaalselt, et kateeter poleks paigalt nihkunud.
 - Kinnitage kateetri külge eetäidetud stardikomplekt. Ühendage stardikomplekti Luer-pistik kateetri sisselaske (IN) Luer-pesaga (tähisega „IN“). Ühendage stardikomplekti Luer-pesa kateetri väljalaske (OUT) Luer-pistikuga (tähisega „OUT“). Sisselaske (IN) ja väljalaske (OUT) pikendusvoolikutele on kinnitatud lõdvalt valged märgised „ZOLL“, mis aitavad neid tuvastada.
- Märkus.** Stardikomplekti sisselaske (IN) ja väljalaske (OUT) Luer-liitmikud on mõeldud ühendamiseks ainult kateetri sisselaske (IN) ja väljalaske (OUT) Luer-liitmikuga, mitte standardsete Luer-ühendusega süstaldega. Need on ZOLL-i kohandatud liitmikud ja oranži värvi järgi kergesti tuvastatavad.
- Õhuvaba ühenduse loomiseks veenduge, et Luer-liitmike otstes oleks piisav kogus steriilset füsioloogilist lahust. Vaadake kasutusjuhendit.

HOIATUS. Stardikomplekti valesti ühendamine kateetriga võib põhjustada kateetri rikke. Ärge ühendage stardikomplekti (oranže) Luer-liitmikke siniste, valgete ega pruunide Luer-liitmikega.

Ettevaatust! Ärge kinnitage stardikomplekti distaalse pordi külge.

Ettevaatust! Ärge pange liinile sulgekraane, mis võivad tahtmatult sulguda. See võib põhjustada liini blokeerumise ja võimaliku rikke.

- Pumbake füsioloogilist lahust läbi stardikomplekti ja kateetri kontrollimaks, et kõik ühendused on kindlad ja lekkeid pole. Väljutage süsteemist järelejäänud õhk, järgides kasutusjuhendis kirjeldatud toiminguid.

Kateetri eraldamine konsoolist

- Peatage füsioloogilise lahuse ringlemine läbi kateetri.
- Eraldage stardikomplekt kateetrist.
- Steriilsete ühenduste säilitamiseks sulgege nii kateetri kui ka stardikomplekti Luer-liitmikud kohe steriilse Luer-korgiga või ühendage sisselaske (IN) ja väljalaske (OUT) Luer-liitmikud kokku.

Kateetri taasühendamine konsooliga

- Eemaldage Luer-korgid kateetri ja stardikomplekti Luer-liitmikelt. Visake Luer-korgid ära või eraldage sisselaske (IN) ja väljalaske (OUT) Luer-liitmikud teineteise küljest.
- Kinnitage stardikomplekt kateetri külge. Ühendage stardikomplekti Luer-pistik kateetri sisselaske (IN) Luer-pesaga. Ühendage stardikomplekti Luer-pesa kateetri väljalaske (OUT) Luer-pistikuga. Stardikomplekti ja kateetri sisselaske (IN) ja väljalaske (OUT) Luer-liitmikud on oranži värvi. Õhuvaba ühenduse loomiseks veenduge, et Luer-liitmike otstes oleks piisav kogus steriilset füsioloogilist lahust.

HOIATUS. Stardikomplekti valesti ühendamine kateetriga võib põhjustada kateetri rikke.

HOIATUS. Ärge kasutage sisselaske (IN) ja väljalaske (OUT) Luer-liitmikke standardsete tsentraalveenikateetri infusioonipordide jaoks. Need on mõeldud ühendamiseks ainult konsooliga Coolgard/Thermogard. Stardikomplekti sisselaske (IN) ja väljalaske (OUT) Luer-liitmikud on mõeldud ühendamiseks ainult kateetri sisselaske (IN) ja väljalaske (OUT) Luer-liitmikuga. Need on ZOLL-i kohandatud liitmikud ja oranži värvi järgi kergesti tuvastatavad.

Ettevaatust! Ärge pange liinile täiendavaid sulgekraane, mis võivad tahtmatult sulguda. See võib põhjustada liini blokeerumise ja võimaliku rikke.

Kateetri eemaldamine

- Lõpetage füsioloogilise lahuse pumpamine läbi kateetri.
 - Eraldage stardikomplekt kateetrist. **Eemaldage kork kateetri sisselaske (IN) ja väljalaske (OUT) Luer-liitmikelt või ärge sulgege neid korgiga.** See võimaldab ringluses oleval füsioloogilise lahuse jäägil väljuda. Kateetri väljatõmbamisel on balloonid kokkusurutud. Balloonides olev füsioloogiline lahus peab saama vabalt balloonest väljuda, muidu balloon ei tühjene, raskendades kateetri eemaldamist.
 - Võimalus on ka kinnitada kateetri sisselaske (IN) Luer-liitmikule 20 või 25 ml süstal. Tõmmake ja hoidke vaakumit 15 sekundit, et võimaldada enne kateetri eemaldamist füsioloogilise lahuse jäägil kateetri balloonisektsioonist väljuda.
 - Asetage patsient selili. Eemaldage side. Eemaldage õmblused õmbluskohalt.
- HOIATUS.** Ärge pange Luer-korki väljalaske (OUT) Luer-liitmikule.
- Eemaldage kateeter aeglaselt patsiendist. Kui kateeter väljub sisenemiskohast, rakendage sellele hermeetilise sidemega (nt vaseliinimarliga) survet.
- HOIATUS.** Ärge liigutage kateetrit, kui tunnete takistust. Kontrollige, et jahutusringluse sisselaske (IN) ja väljalaske (OUT) Luer-liitmikud EI OLEKS korgiga suletud. Kui need on suletud, eemaldage kork, tühjendage balloon ja proovige kateeter uuesti eemaldada. Takistuse püsimisel tuleb teha röntgenuuring, et selgitada välja takistuse põhjus.

MRT ohutusteave



Intravaskulaarne soojusvahetikateeter Icy on MR-tingimuslik. Selle kateetriga patsienti võib ohutult skannida järgmistes tingimustes. Nende tingimuste mittejärgimine võib põhjustada patsiendile vigastusi.

Parameeter	Tingimus
Staatilise magnetvälja nimiväärtused (T)	1,5 T ja 3,0 T
Välja maksimaalne ruumigradient (T/m ja Gs/cm)	40 T/m (4000 Gs/cm)
Raadiosagedusliku stimulatsiooni tüüp	Ringpolariseeritud (st kvadratuurne)
Saatja raadiosagedusliku mähise teave	Saatja raadiosageduslikul mähisel puuduvad piirangud. Selle kohaselt võib kasutada järgmisi: keha saatja raadiosagedusliku mähise ja kõigi muude raadiosageduslike mähiste kombinatsioonid (st keha raadiosageduslik mähis kombineerituna ainult vastuvõtva raadiosagedusliku mähisega, pea saatja/vastuvõtja raadiosageduslik mähis, põlve saatja/vastuvõtja raadiosageduslik mähis jne).
MR-süsteemi töörežiim	Tavaline töörežiim

Parameeter	Tingimus
Maksimaalne kogu keha keskmistatud erineelduvusmäär	2 W/kg (tavaline töörežiim)
Skanni kestuse piirmäärad	Kogu keha keskmistatud erineelduvusmäär 2 W/kg 60-minutilise pideval RF-kiiritusel (st impulsijada või järjestikuste pausideta jadade/seeriade kohta)
MR-kujutise artefakt	See implantaat põhjustab kujutiseartefakti. Seetõttu valige impulsijada parameetrid hoolikalt, kui implantaat asub huvipiirkonnas.
HOIATUS	ZOLL-i konsolid Coolgard ja Thermogard on MR-ohutlikud, mistõttu ei ole need konsolid MR-süsteemi ruumis lubatud. Seepärast tuleb kateeter konsoolist eraldada, enne kui patsient viiakse MR-süsteemi ruumi.

Juhtetraadi kasutusjuhised

Märkus. See teave kehtib ainult juhtetraadi kasutamisele vaskulaatori kateetri paigaldamise Seldingeri tehnika korral.

Hoiatused

Komplekti kuuluv juhtetraat on mõeldud ainult ühekordseks kasutamiseks. Ärge steriliseerige ega kasutage korduvalt. Ärge sisestage uuesti pärast patsiendist eemaldamist.

Kui juhtetraadi sisestamisel või eemaldamisel on tunda takistust, ärge jätkake selle liigutamist. Tehke takistuse põhjus fluoroskoopia all kindlaks ja võtke vajalikud meetmed.

Olge juhtetraadi viimisel läbi stendi äärmiselt ettevaatlik. Juhtetraadi kasutamine stenditud veresoontes loob patsiendile täiendava riski.

Ettevaatusabinõud

Vältige juhtetraadi eemaldamist läbi metallnõelte, see võib põhjustada juhtetraadi deformeerumise.

Juhtetraadi hapruse tõttu tuleb nende käsitsemisel olla väga ettevaatlik. Vältige painutamist või väänamist. Ärge kasutage kahjustunud juhtetraate.

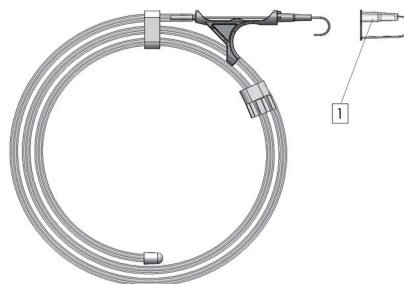
Hoiustamise või protseduuride ajal vältige juhtetraadi kerimist väiksema kui 20,32 cm (8-tollise) läbimõeduga, kuna väiksem läbimõõt võib rakendada juhtetraadile ebavajalikku pinget ja põhjustada selle väändumise. Kaasasolev jaotur on parim vahend juhtetraadi hoiustamiseks ja käsitsemiseks.

Juhtetraadile pideva tugeva haarde tagamiseks peab välja ulatuma piisava pikkusega juhtetraadi osa.

Jaotur

Iga juhtetraat tarnitakse jaoturiga komplektis Tyvek-materjalist kotis. Eemaldage juhtetraat Tyvek-materjalist kotist. Eemaldage juhtetraadi kaitsekork vahetult enne juhtetraadi kasutamist. Valmistage juhtetraat enne sisestamist ette. Soovitav on jaotur täita hepariniseeritud lahusega (nt füsioloogilise lahuse või dekstroosiga), et juhtetraati sisestamise ajal niisutada.

Eelvormitud J-kujuline juhtetraat säilitab oma kuju toote jaoturist eemaldamisel.



1. Juhtetraadi kaitsekork

Ülevaatamine

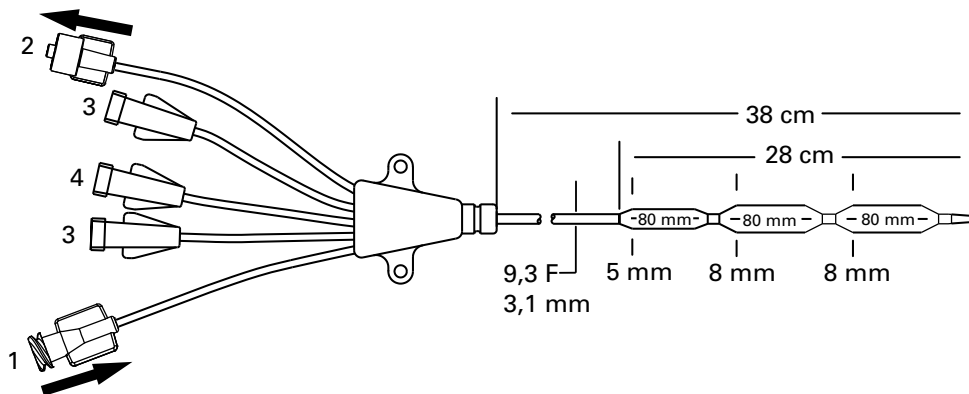
Vaadake juhtetraat enne kasutamist üle ja visake see ära, kui juhtetraadil esineb deformatsiooni. Juhtetraadi paigaldamist tuleb jälgida röntgeni- või fluoroskoopiaprotseduuriga.

Kasutusviis

1. Punkteerige veresoone.
2. Sisestage juhtetraat nõelajauturisse ja viige 5–10 cm juhtetraati ettevaatlikult punkteeritud veresoone. Lükake juhtetraat soovitud kohta.
Ettevaatust! Vältige juhtetraadi robustset või jõulist käsitlemist, et vältida juhtetraadi või veresoone kahjustamist.
3. Eemaldage nõel juhtetraadist.
4. Laiendage kude ja veresoont dilataatoriga, kasutades kergelt pöörlevat liigutust.
5. Eemaldage dilataator (veresoone dilataator on mõeldud ainult veresoonte laiendamiseks).
6. Sisestage kateeter, libistades selle üle juhtetraadi.
7. Eemaldage juhtetraat.

Kateeter Icy

1. Sisselaske (IN) Luer-liitmik
2. Väljalaske (OUT) Luer-liitmik
3. Infusioonipordid
4. Distaalne Luer-liitmik



© 2024 ZOLL Medical Corporation. Kõik õigused kaitstud. ZOLL ja Icy on ettevõtete ZOLL Medical Corporation ja/või ZOLL Circulation Inc. kaubamärgid või registreeritud kaubamärgid Ameerika Ühendriikides ja/või muudes riikides. Kõik kaubamärgid kuuluvad nende vastavatele omanikele.

Patent: www.zoll.com/patents